

General Definition of Work To Be Performed by Contractor:

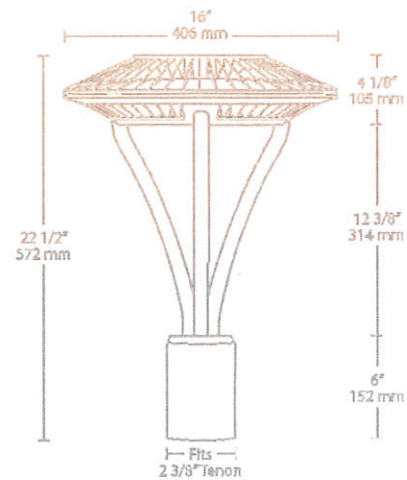
The contractor shall install all service points according to the plans and City, Water and Light standards. All augured bases shall be installed flat / level per manufacturer's recommendations. The contractor shall install poles to bases per manufacturer's recommendations and torque bolts and nuts per manufacturer's recommendations. The contractor shall mount lights in a secure manner and perform all electrical connections with correct wire nuts and tape. The contractor shall install underground electrical conduit per plans and the National Electric Code. The contractor shall install all electrical conductors in accordance with the plans in a way that does not damage the conductors. The contractor shall backfill and seed or sod all trenches and disturbed ground.

Specifications of Fixtures and Poles (Fixtures and Poles to be supplied by the city):

1. Light Fixtures – Quantity (77)

RAB ALED5752/PCT – LED Post Top Light – Or Equivalent

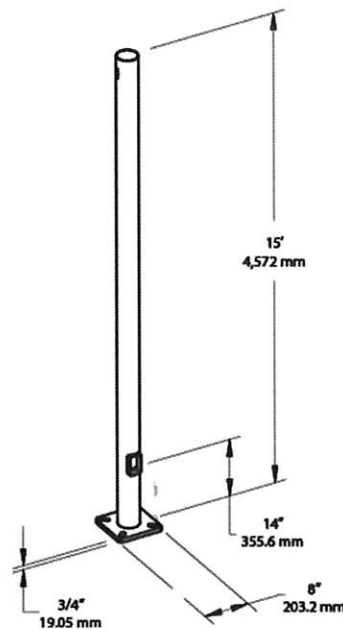
- Wattage – 52W
- Color Temperature – 5,100K
- Voltage – 120-277V
- UL Listing – Wet Locations
- Life Hours – 100,000 Hours
- Lumens – 3,089
- Finish – Bronze
- Height – 22.5 in.
- Diameter – 16 in.
- Weight – 21.8 lbs.
- Warranty – 5-Year Limited



2. Light Poles - Quantity (77)

RAB PR4-11-15D2 – Or Equivalent

- Shaft Size – 4"
- Shaft PSI – 46,000 minimum yield
- Hand Hole – Reinforced with grounding lug and removable cover
- Color – Bronze Power Coating
- Height – 15'
- Gauge – 11
- Wall Thickness – 1/8"
- Slotted Base Plates 36,000 p.s.i



Specifications of Auger Bases (Bases to be supplied by the city):