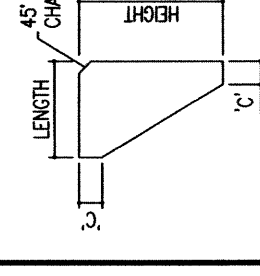


NOTES

- 1) Footing designs based on soil conditions of medium stiff clay, compact fine sand, or better. (allowable soil pressure = 250 psf/ft. of depth) Notify Engineer if other than these conditions exist.
- 2) Provide 1/2" cap plates for end of torsion pipes. Cap plates to be welded, all around, to pipe.
- 3) Attached catwalks using 1/2" A-Bolts (1 req'd/conn.)
- 4) Catwalks grating to be 3/4" x 3/4" expanded metal grating, (weld to catwalk angles with 1/2" fillet weld, 1" lg. @ 12" c/c)
- 5) All walkways are to have horizontal lifelines installed. Designed by others.

TYPICAL GUSSET DETAIL

USE THESE CRITERIA FOR ALL GUSSETS



GENERAL NOTES

- ALL NUTS AND BOLTS ARE TO BE ZINC PLATED. (except A-490 bolts, which are to be galvanized, but primed and painted after installation)
- THE FABRICATOR SHALL VERIFY ALL DIMENSIONS IN FIELD BEFORE FABRICATION OR CONSTRUCTION, AND NOTIFY ENGINEER OF ANY DISCREPANCIES
- ANY DEVIATIONS FROM THIS PRINT MUST BE APPROVED BY ENGINEER.
- STRUCTURAL STEEL SHAPES & PLATES SHALL CONFORM TO THE REQUIREMENTS OF THE AMERICAN INSTITUTE OF STEEL CONSTRUCTION, INC. (except structural tubing, which shall conform to A-500, grade B)
- ALL STEEL PIPE SHALL CONFORM TO THE REQUIREMENTS OF A.S.T.M. A-53, GRADE B OR A-252, GRADE 2; UNLESS OTHERWISE NOTED.
- ALL STRUCTURAL STEEL SHALL BE PRODUCED, FABRICATED, AN ERECTED IN ACCORDANCE WITH THE REQUIREMENTS OF THE AMERICAN INSTITUTE OF STEEL CONSTRUCTION, INC.
- ALL WELDING SHALL BE IN ACCORDANCE WITH A.S.S. STANDARDS. WELDING TO BE PERFORMED BY CERTIFIED WELDERS USING E-70 ELECTRODES. WELDING TO BE IN 28 DAYS, UNLESS OTHERWISE NOTED.
- ALL WELDING SHALL BE INSPECTED AND APPROVED BY THE ENGINEER, FEDERAL STATE & LOCAL CODES & ORDINANCES, AND O.S.H.A. SAFETY REGULATIONS.
- VERIFY WITH OWNER ALL SIGN HEAD ACCESS REQUIREMENTS. (i.e. COLUMN & ACCESS LADDERS), CROSSOVER/WALK-AROUND CATALKUS, etc.)
- VERIFY CORRECT STRINGER SPACING WITH OWNER PRIOR TO FABRICATION.
- H.A.G.L. = Height Above Ground Level

2009 I.B.C. (90 mph - Exp. C)

Effective Engineering Solutions, LTD.
61 White Water Court
New Lenox, IL 60451
(815) 486-1470

PROJECT: 10'-6" x 36' Centermount
15' V Stacked Structure @ 30'-0" H.A.G.L.

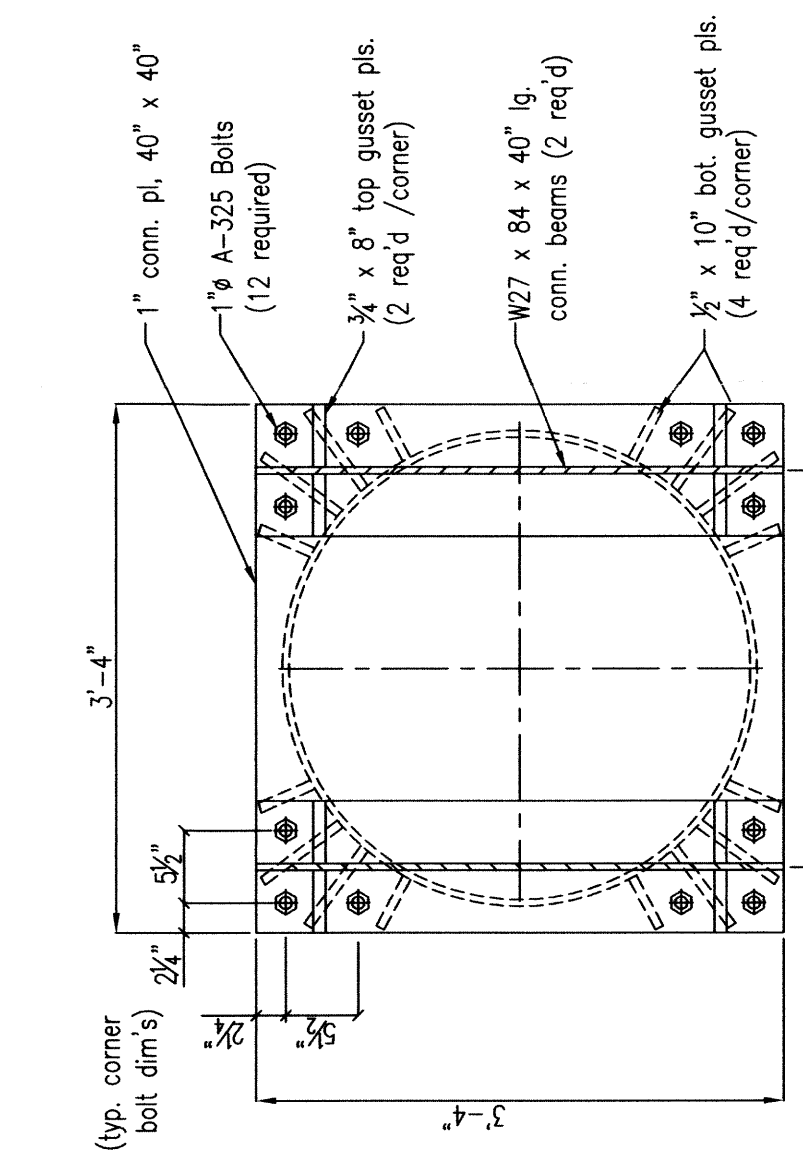
CLIENT: Diverse

THIS PRINT CONTAINS PROPRIETARY INFORMATION AND SHALL NOT BE USED, REPRODUCED, OR ITS CONTENTS DISCLOSED, IN WHOLE OR IN PART, WITHOUT WRITTEN CONSENT FROM THE ABOVE CLIENT.
THE UNDERSIGNED ENGINEER WILL NOT SUPERVISE THE FABRICATION AND ERECTION OF THIS STRUCTURE.

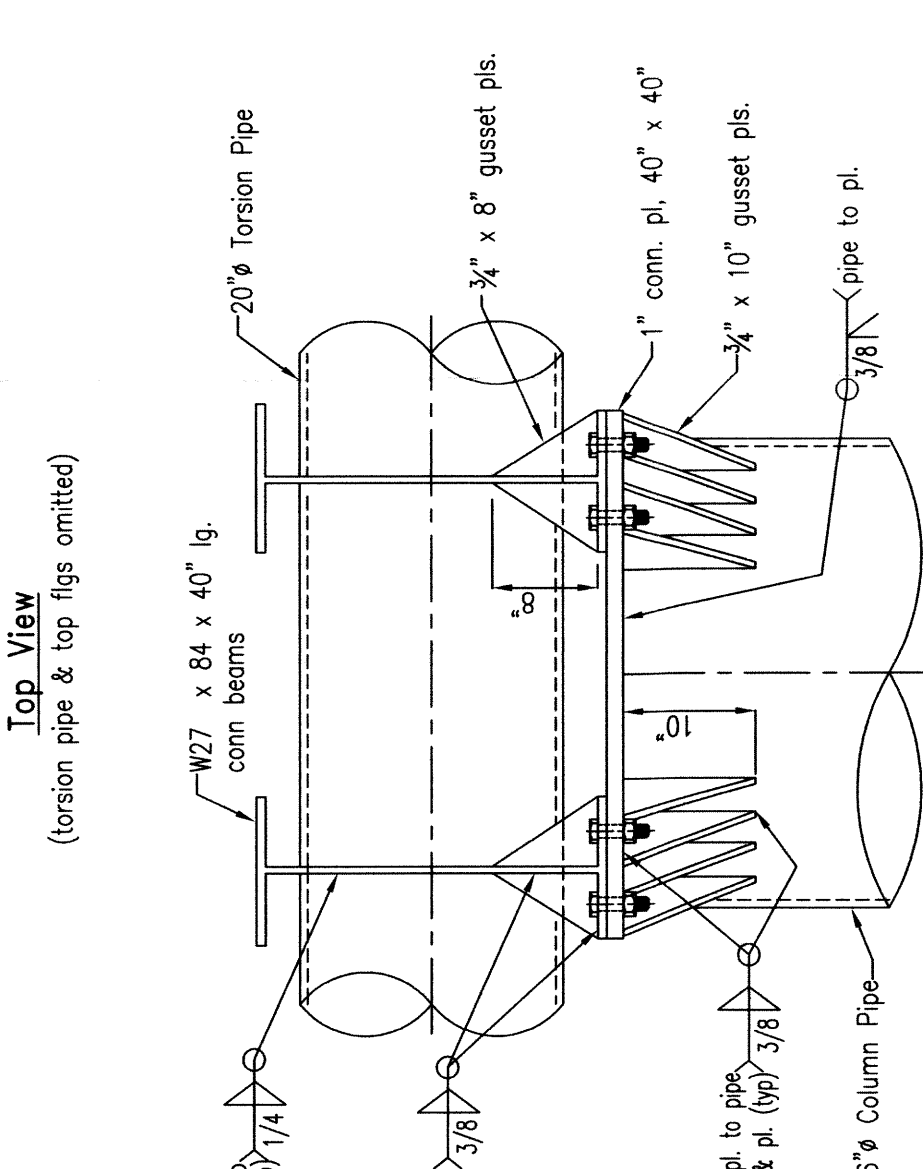
ARANKAS
REGISTERED PROFESSIONAL ENGINEER
No. 67716
CLIFFORD W. LEVY

LOCATION: North Eastern, AR
ENGINEERED BY: CWL
DRAWN BY: DBM
DATE DRAWN: 8/14/2013
DRAWING NO: 67171
1 of 1

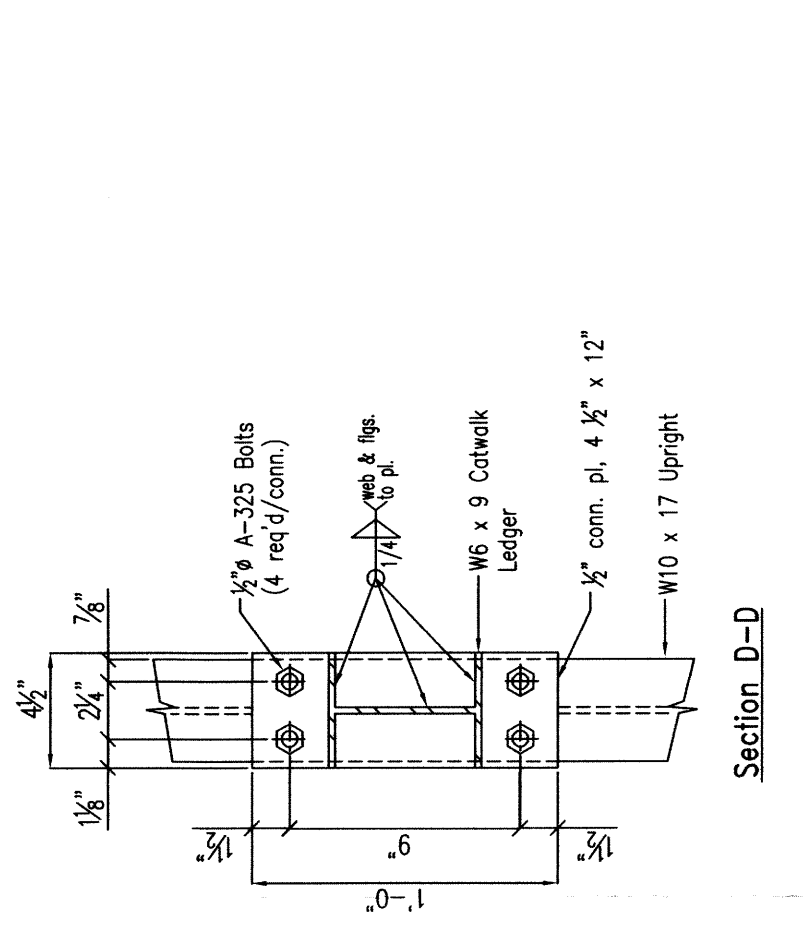
AUG 29 2013



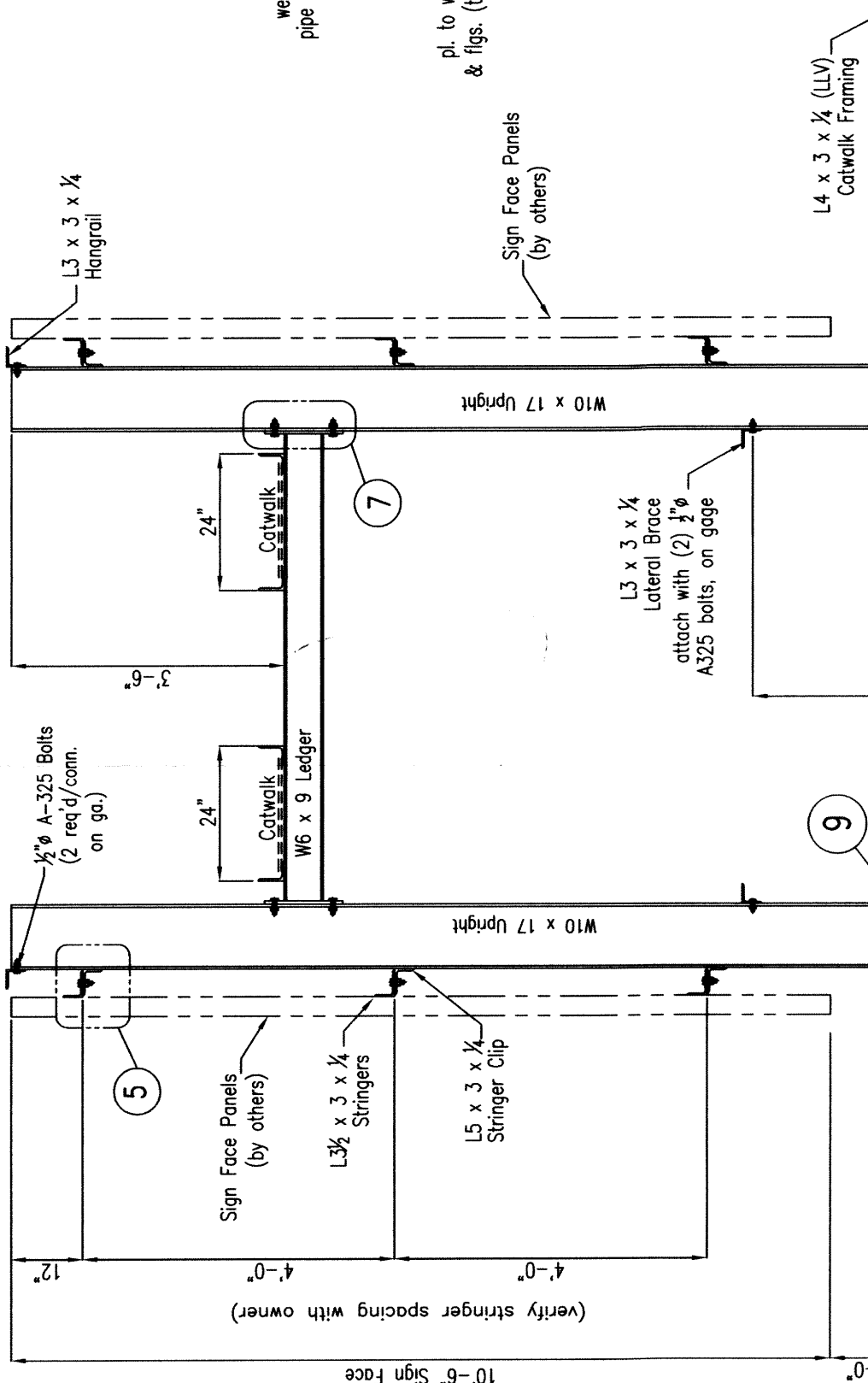
Top View
(torsion pipe & top flgs omitted)



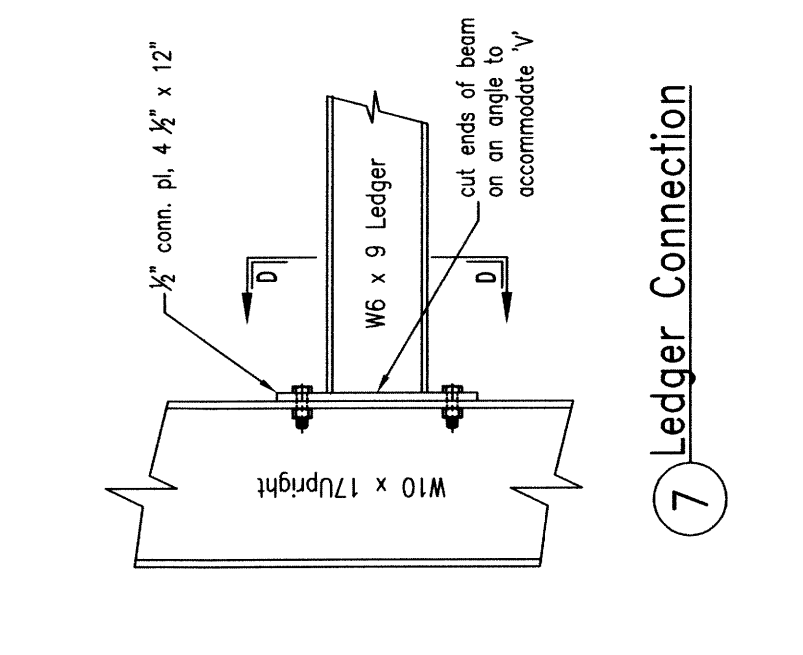
4 Column Connection



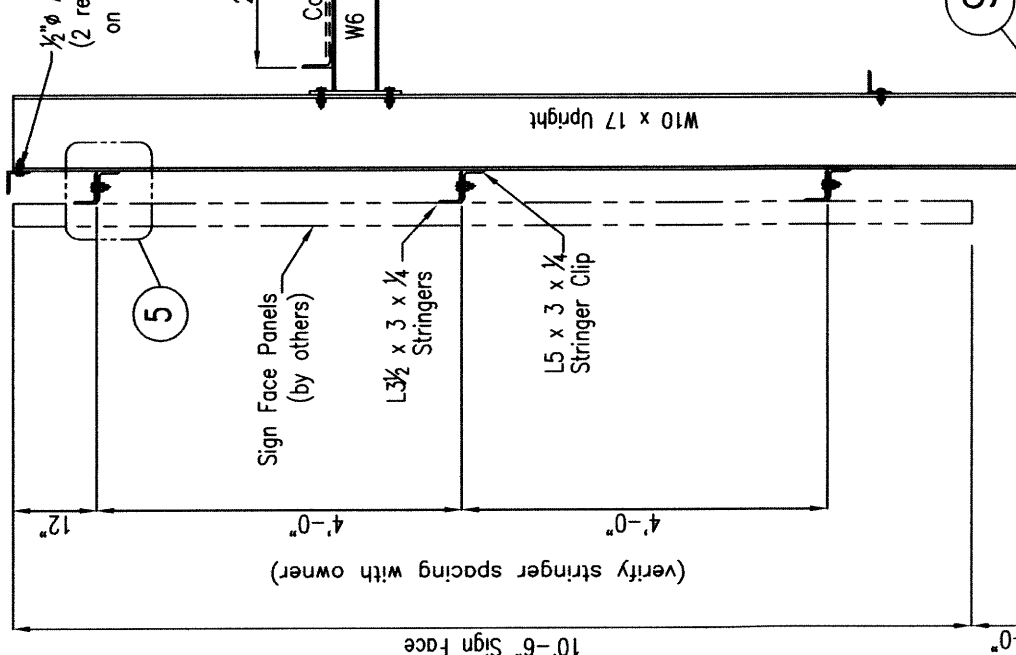
7 Ledger Connection



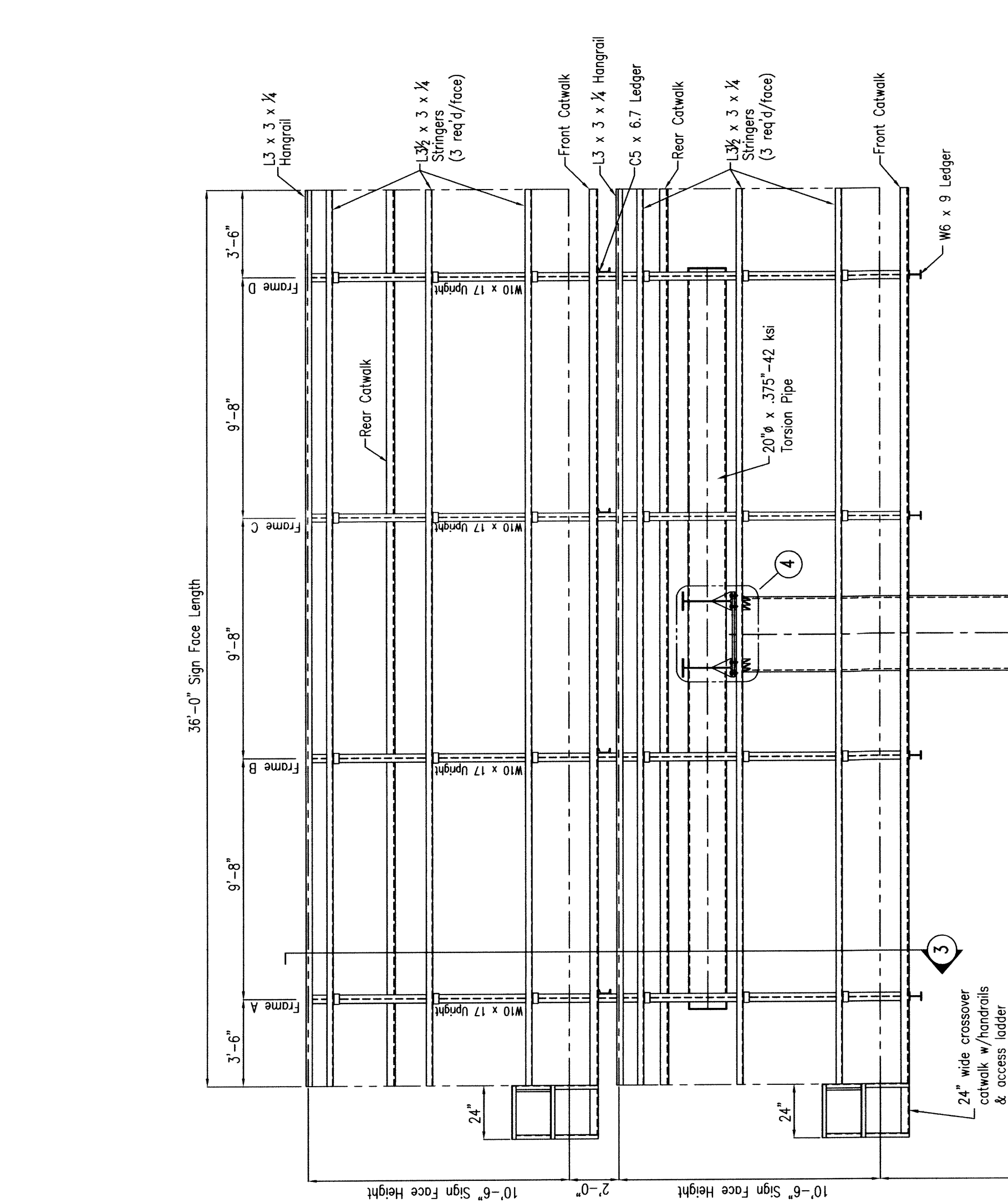
6 Front Ledger Connection



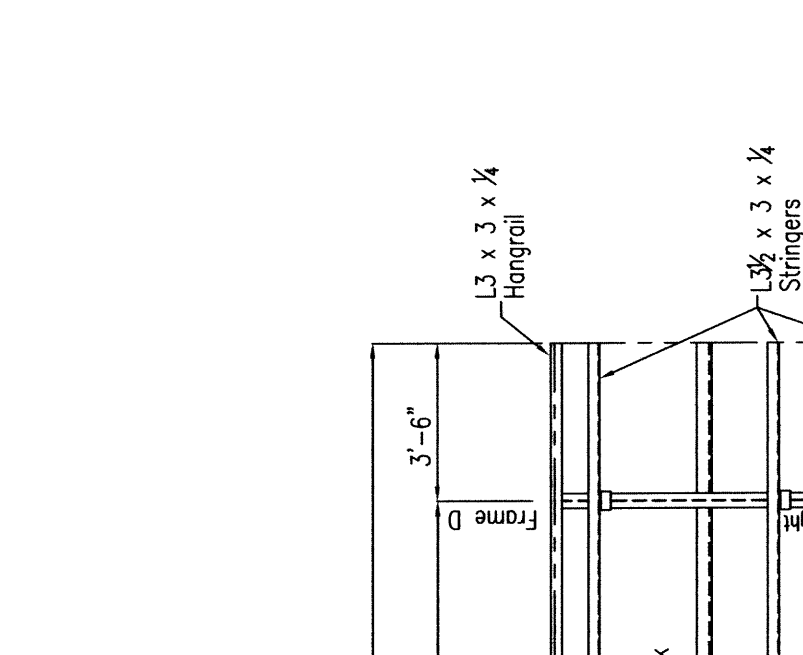
5 Stringer Connection



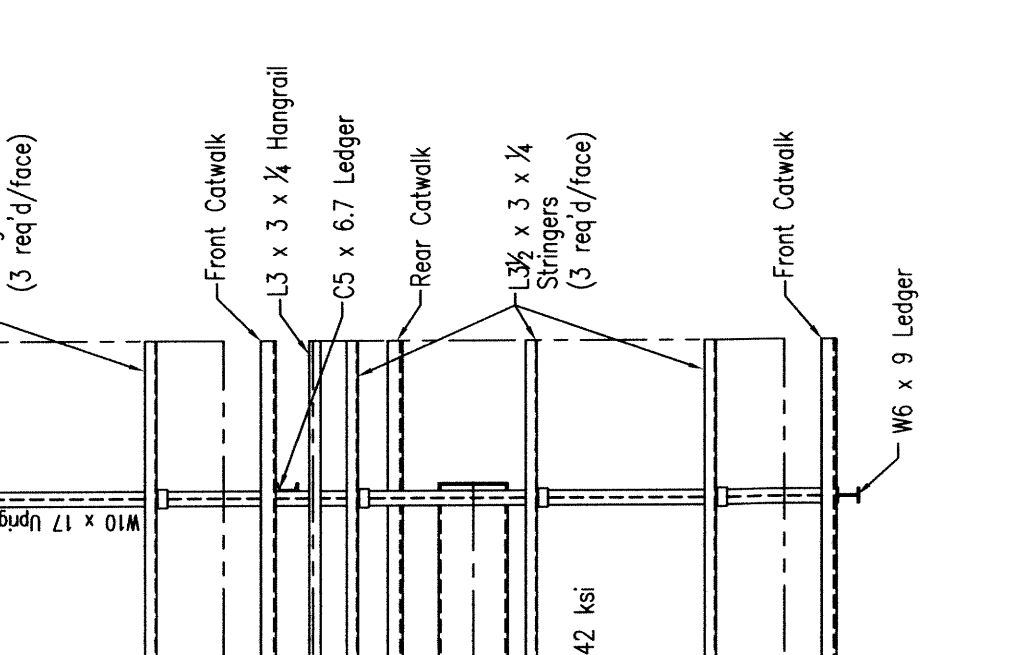
8 Outrigger & Upright Connection



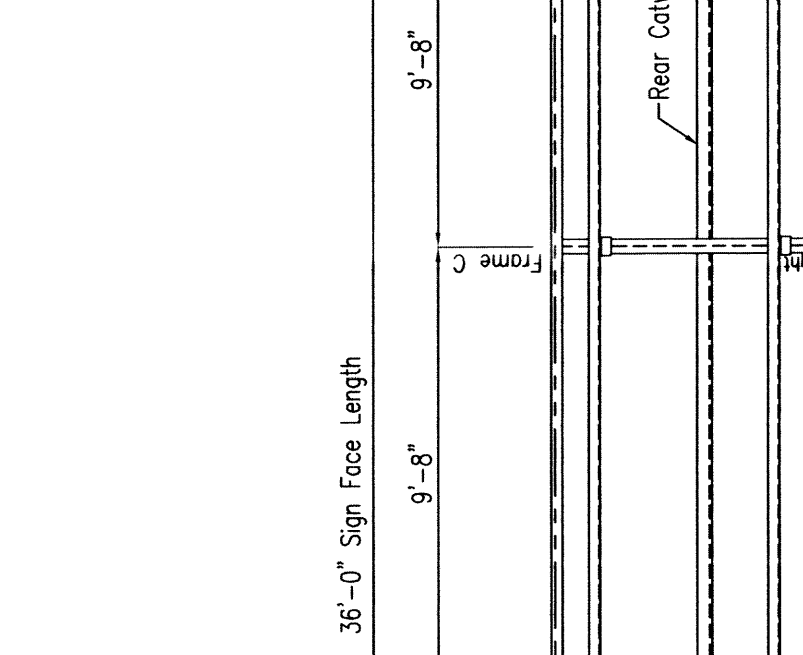
2 Front Elevation



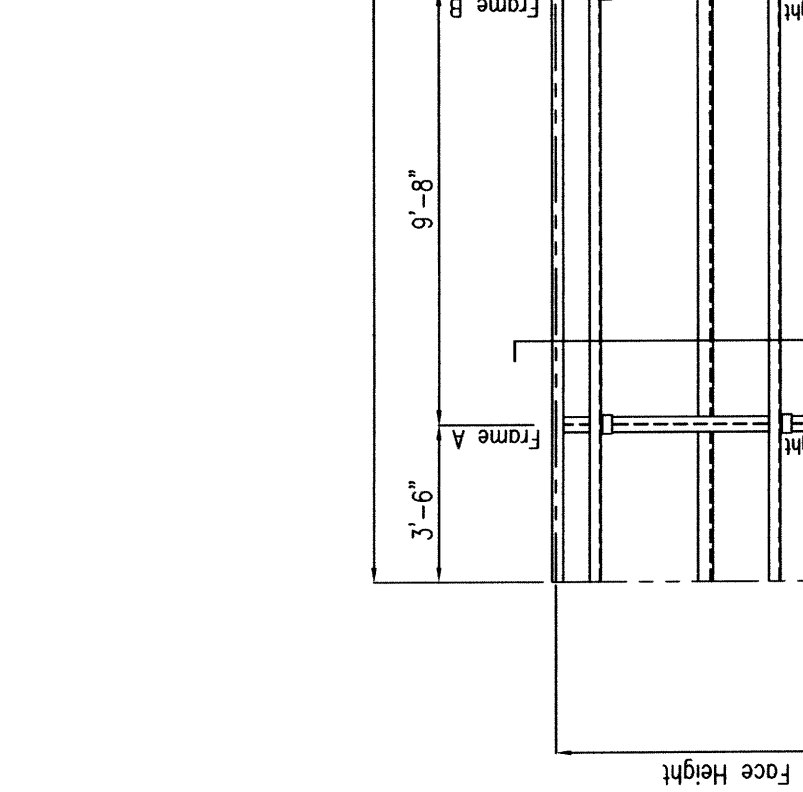
3 Frame Detail



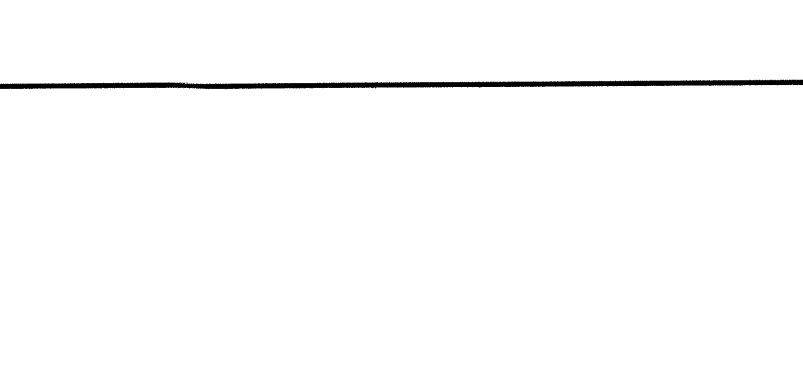
9 Ledger Connection



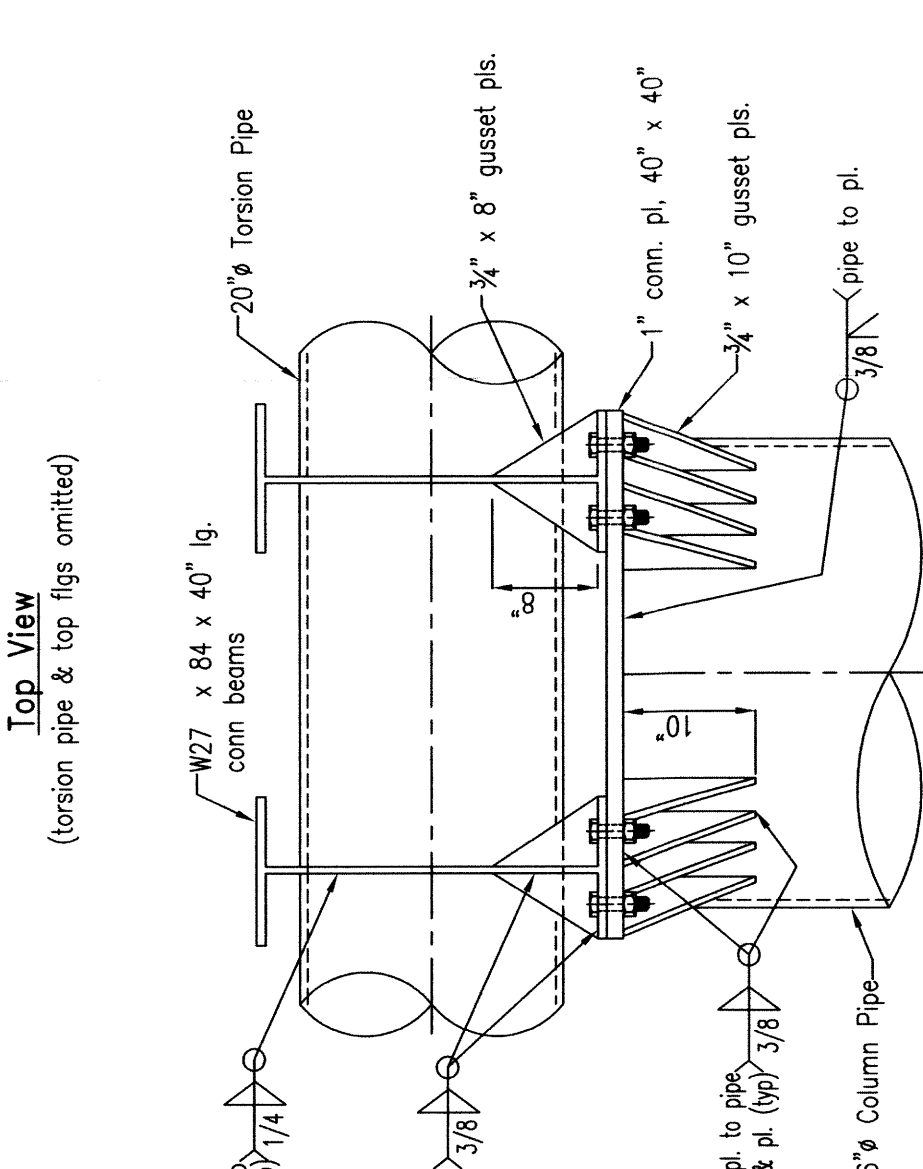
6 Outrigger & Upright Connection



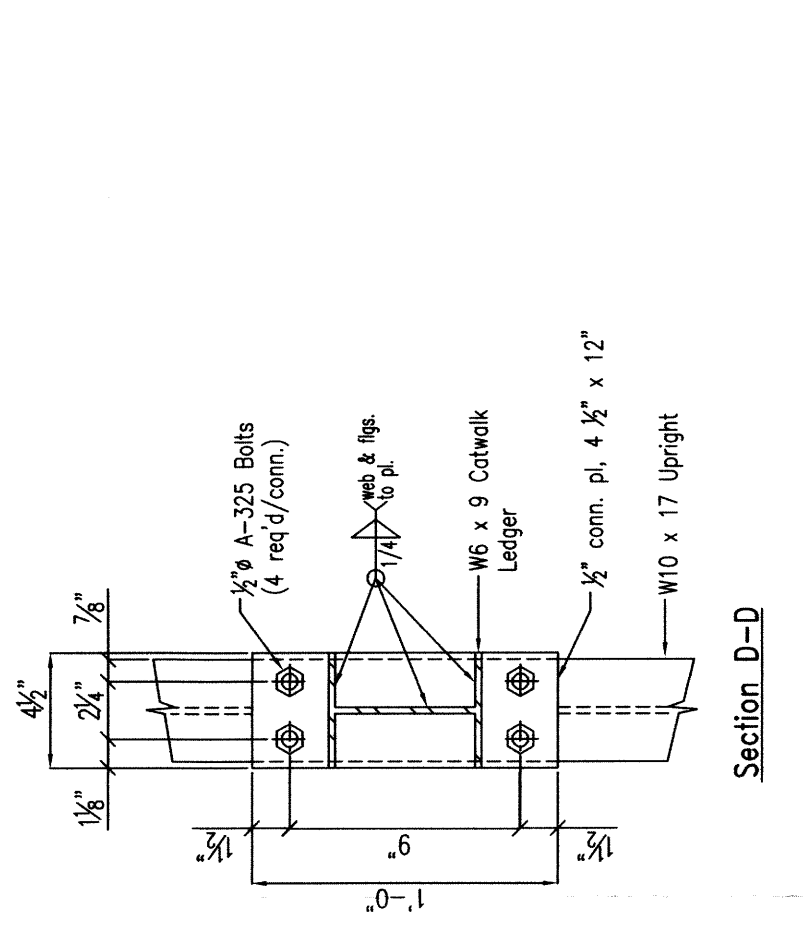
5 Stringer Connection



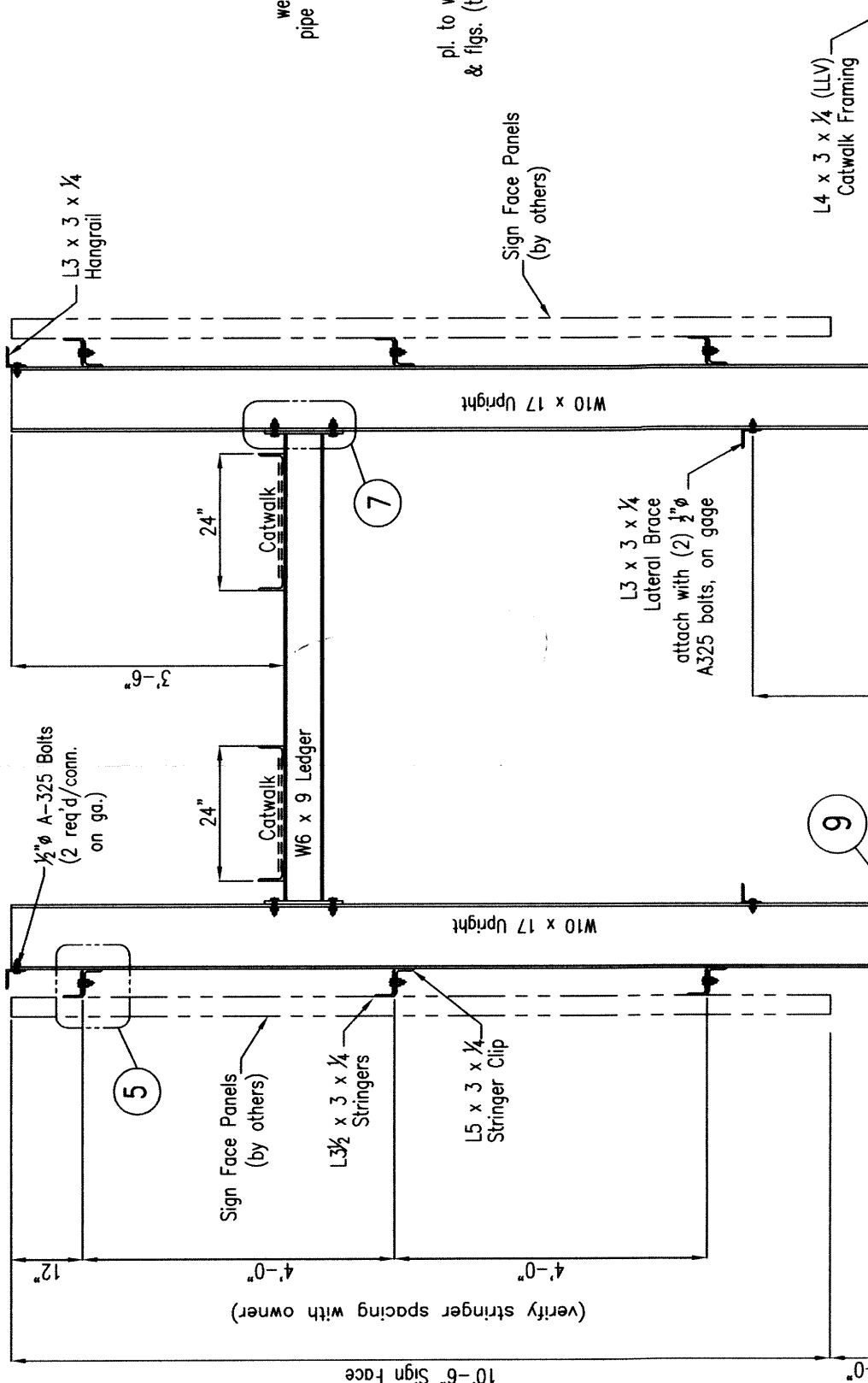
Top View
(torsion pipe & top flgs omitted)



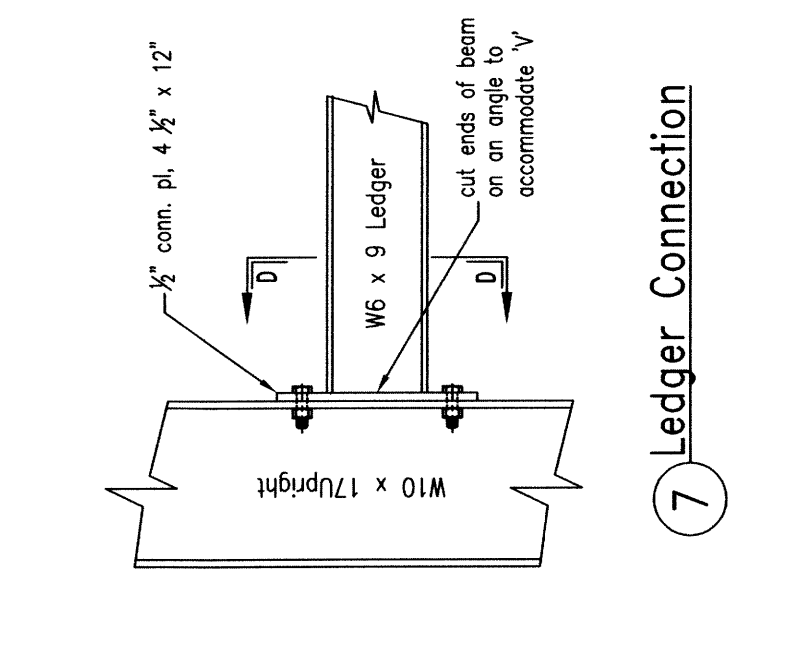
4 Column Connection



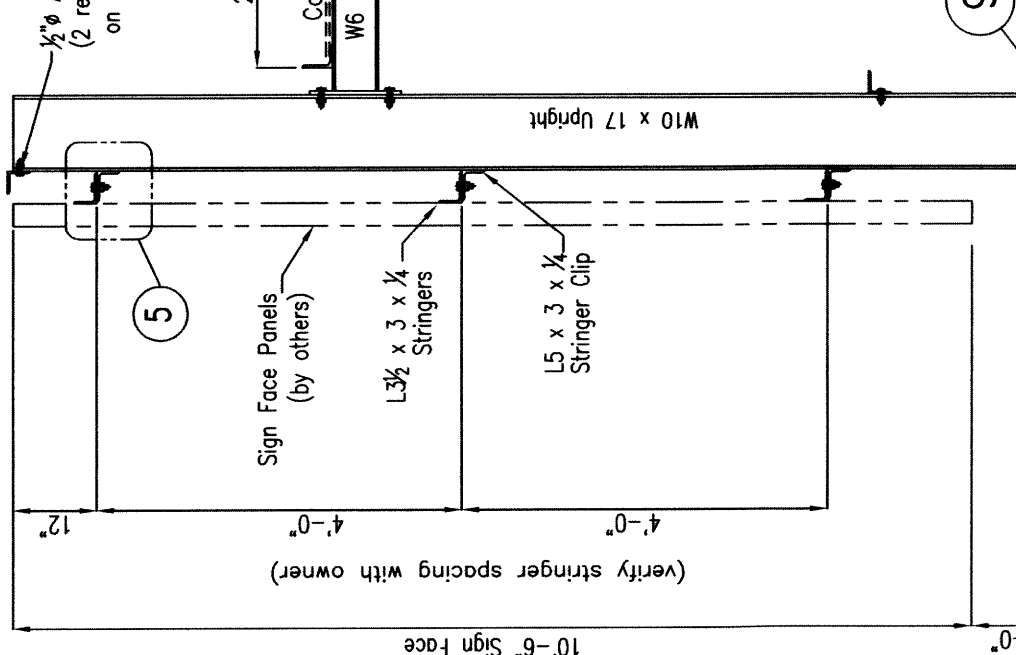
7 Ledger Connection



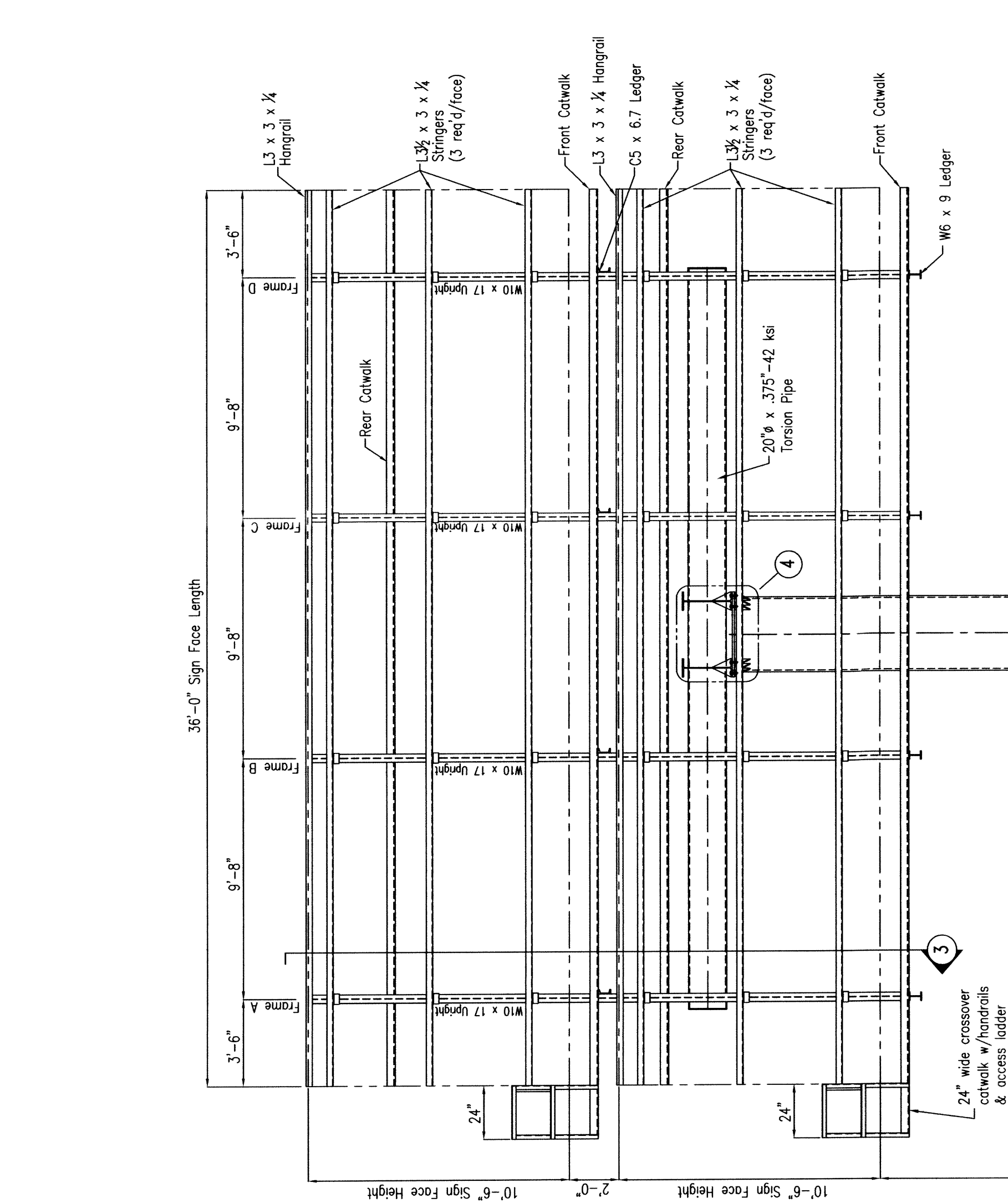
6 Front Ledger Connection



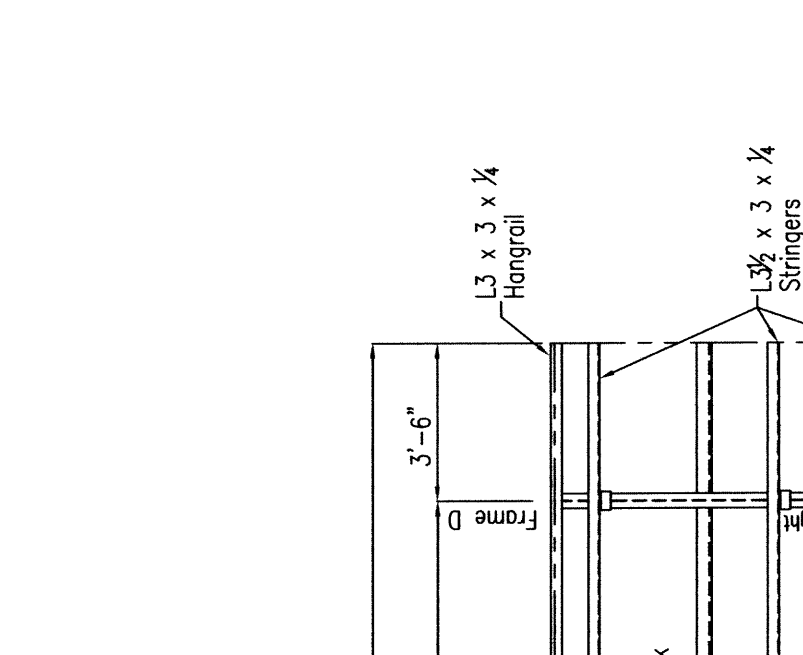
5 Stringer Connection



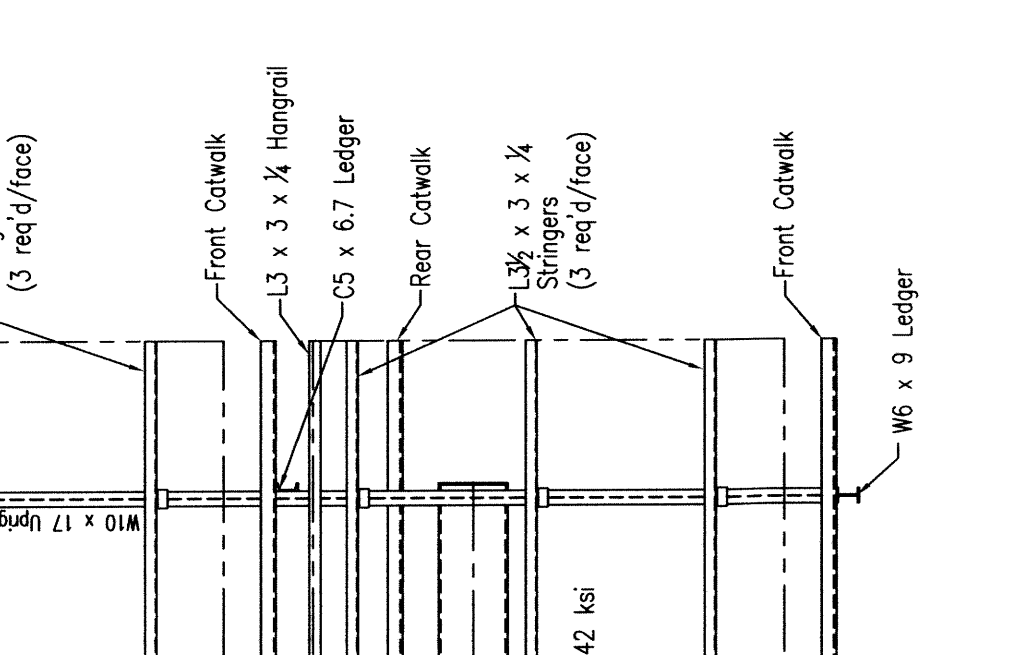
8 Outrigger & Upright Connection



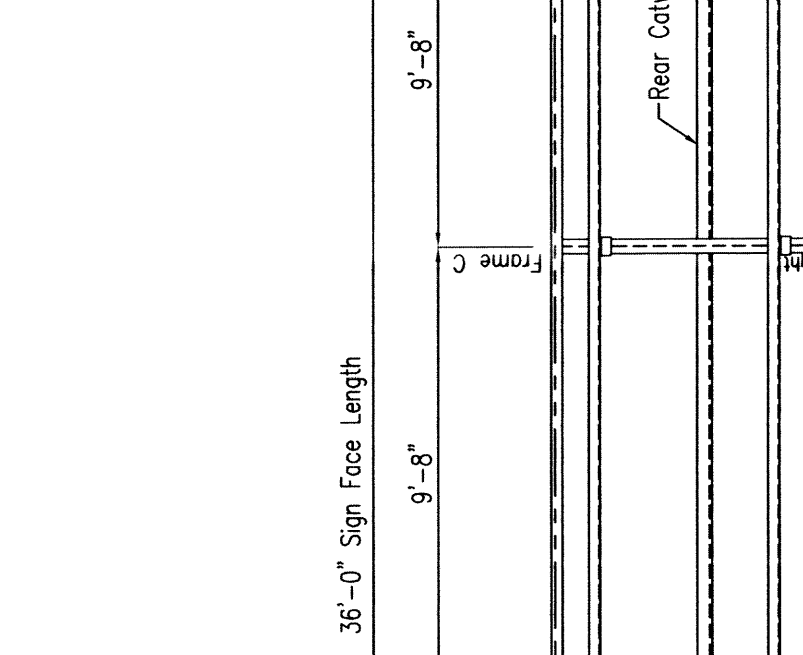
2 Front Elevation



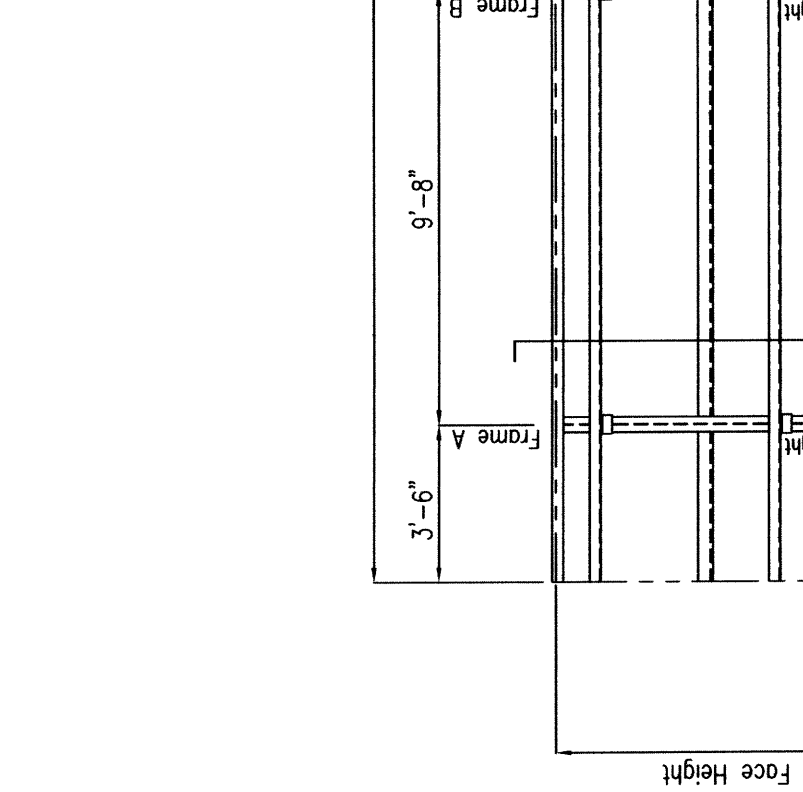
3 Frame Detail



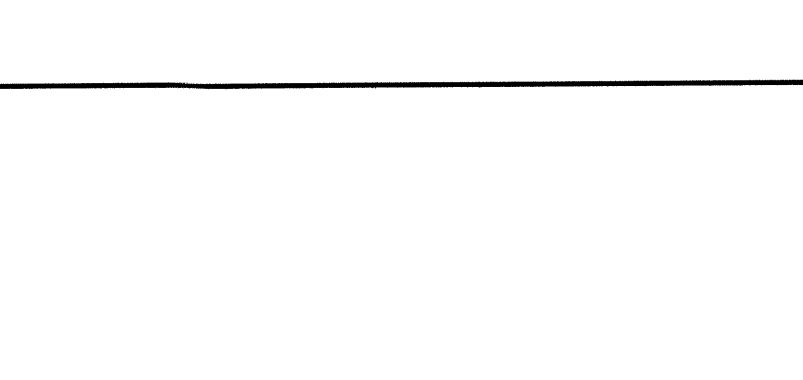
9 Ledger Connection



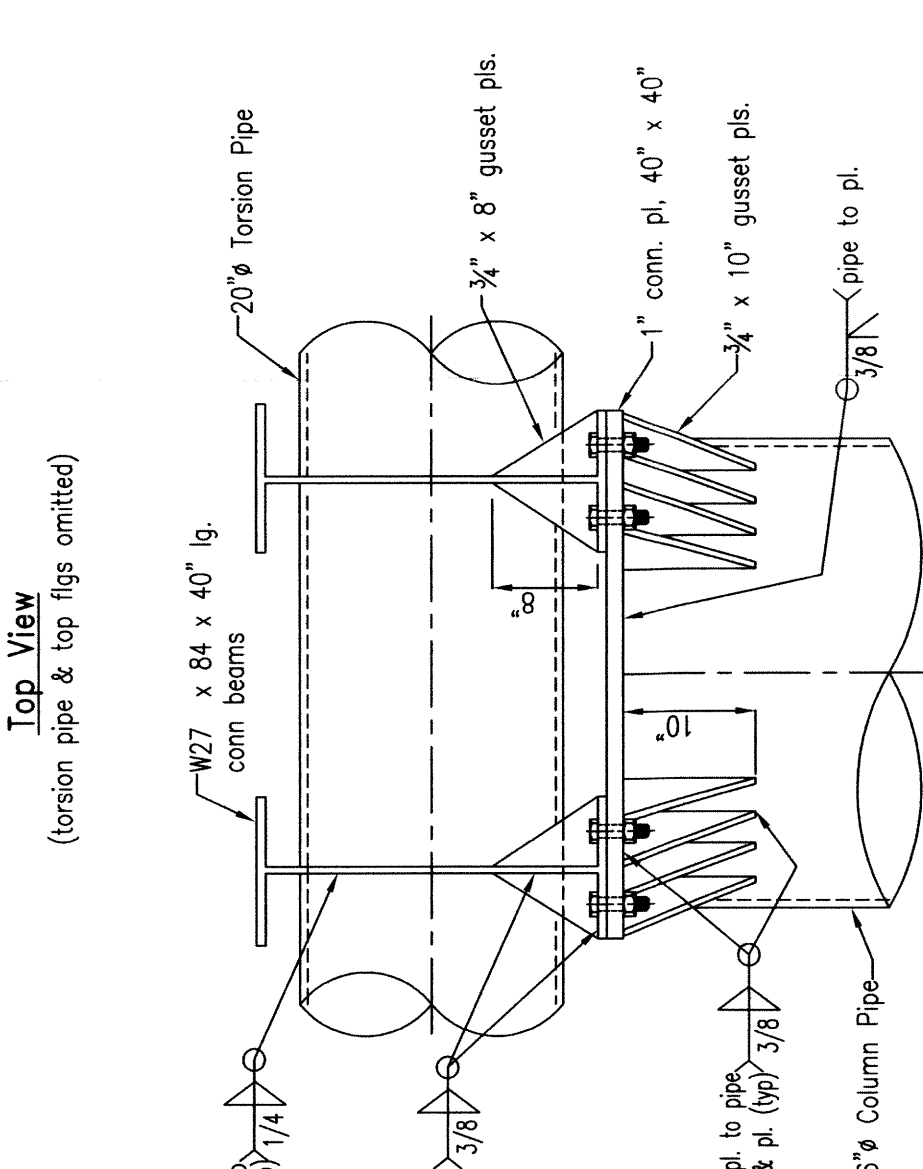
6 Outrigger & Upright Connection



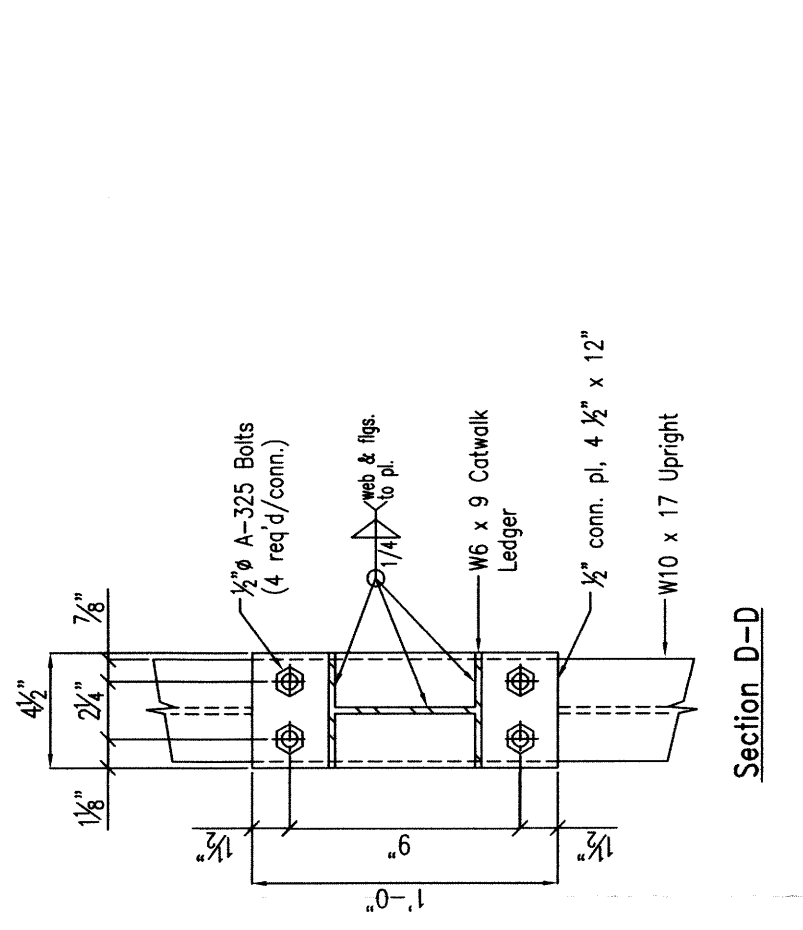
5 Stringer Connection



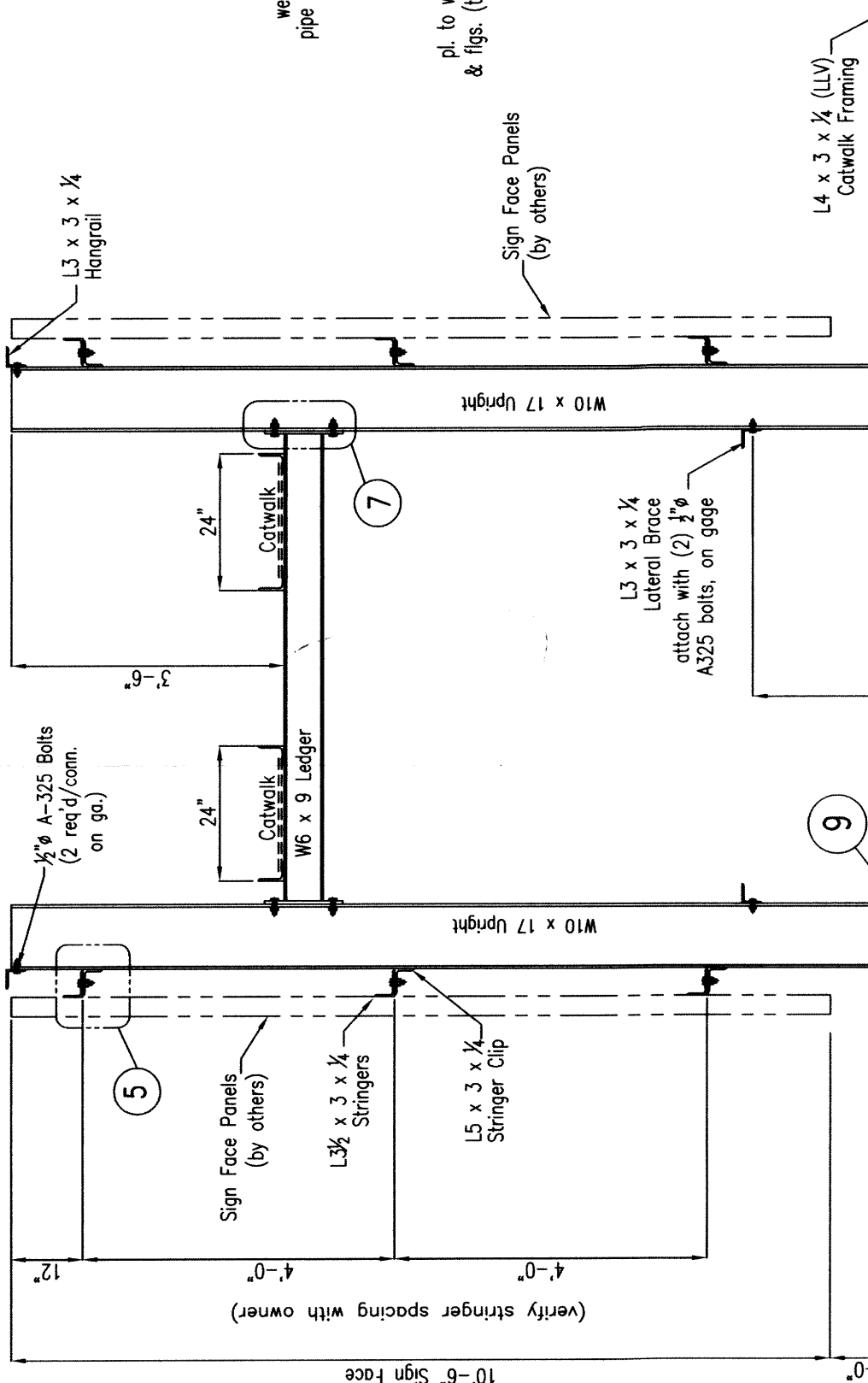
Top View
(torsion pipe & top flgs omitted)



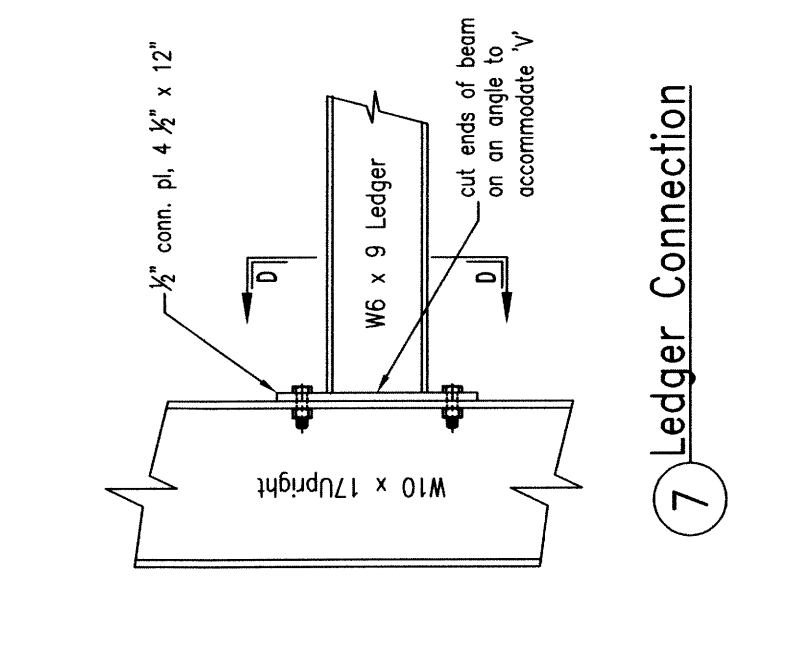
4 Column Connection



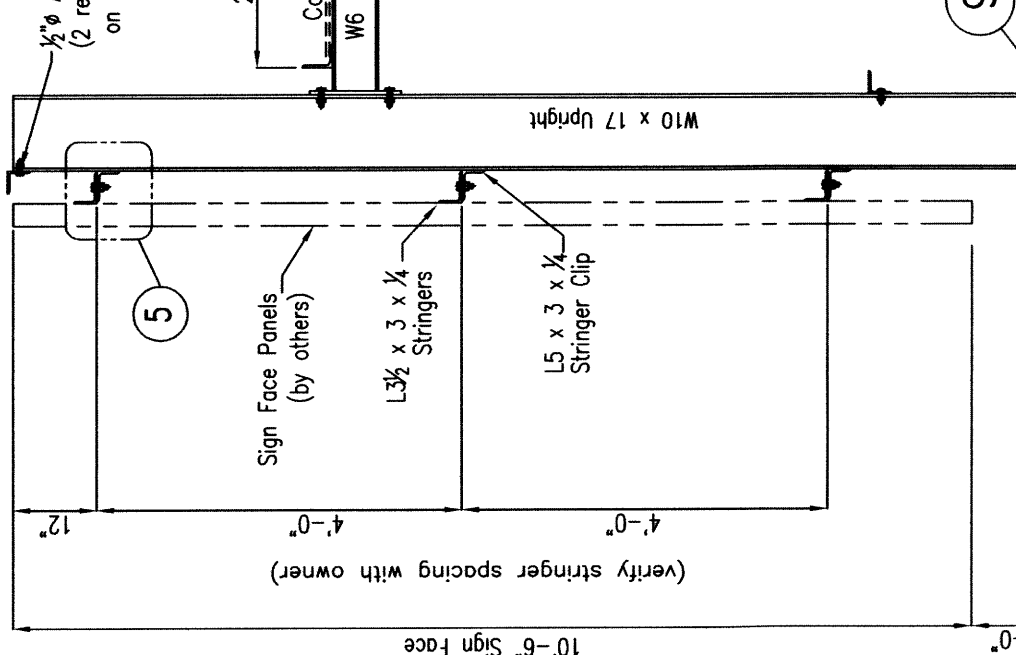
7 Ledger Connection



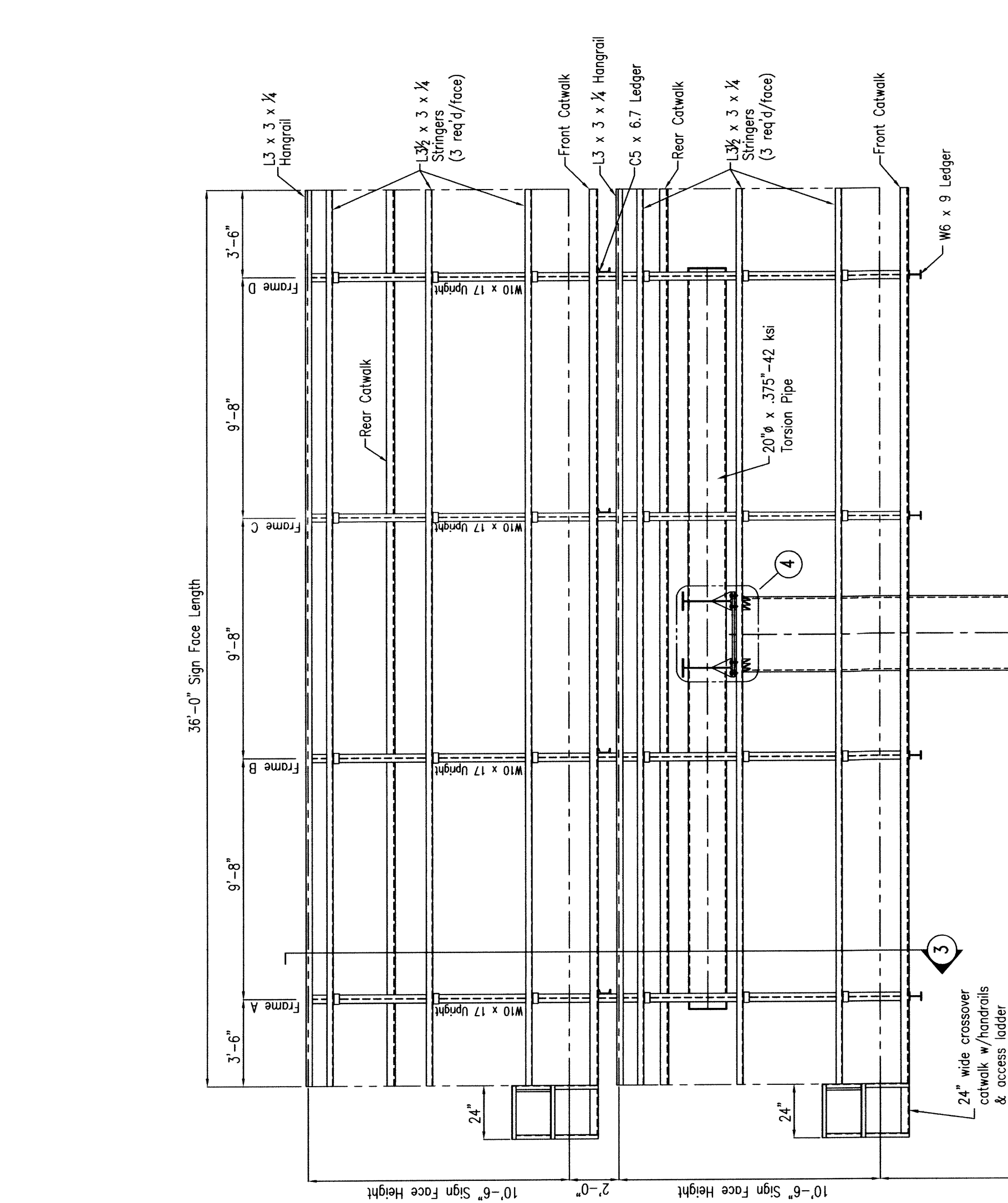
6 Front Ledger Connection



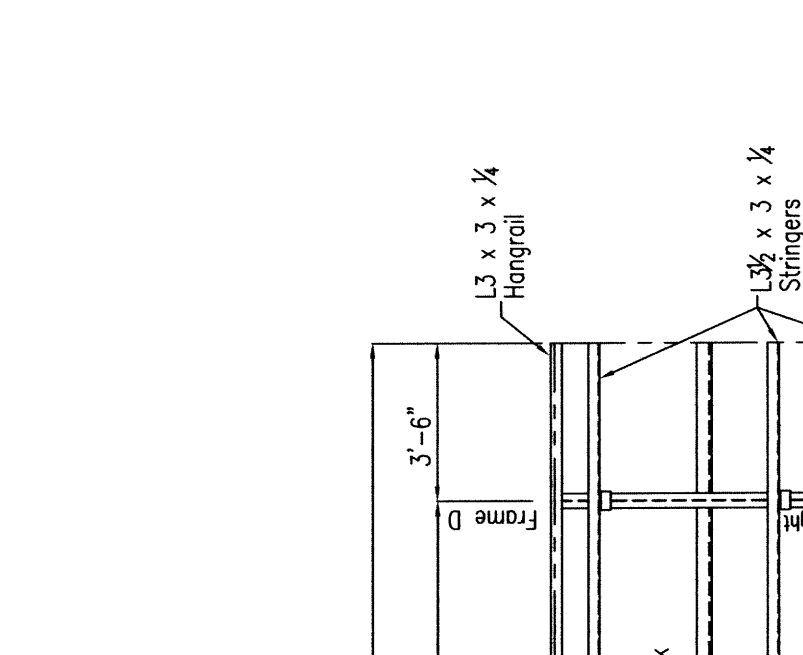
5 Stringer Connection



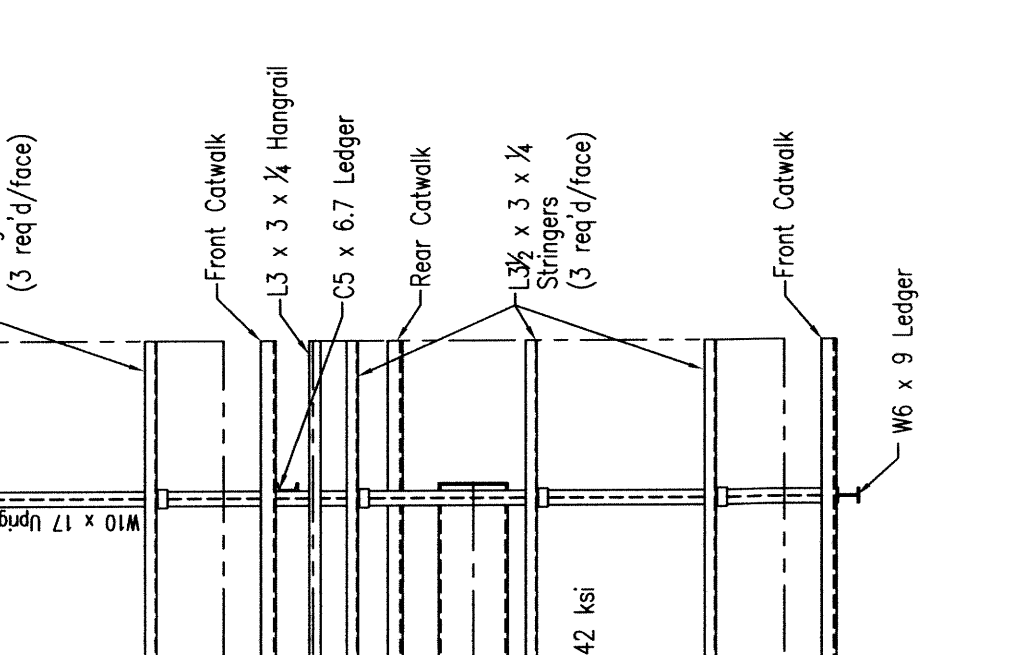
8 Outrigger & Upright Connection



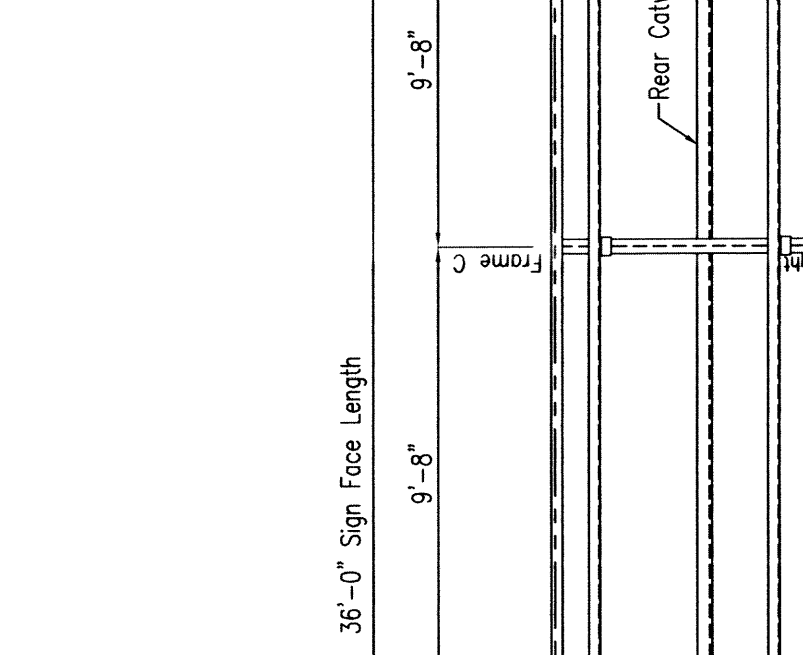
2 Front Elevation



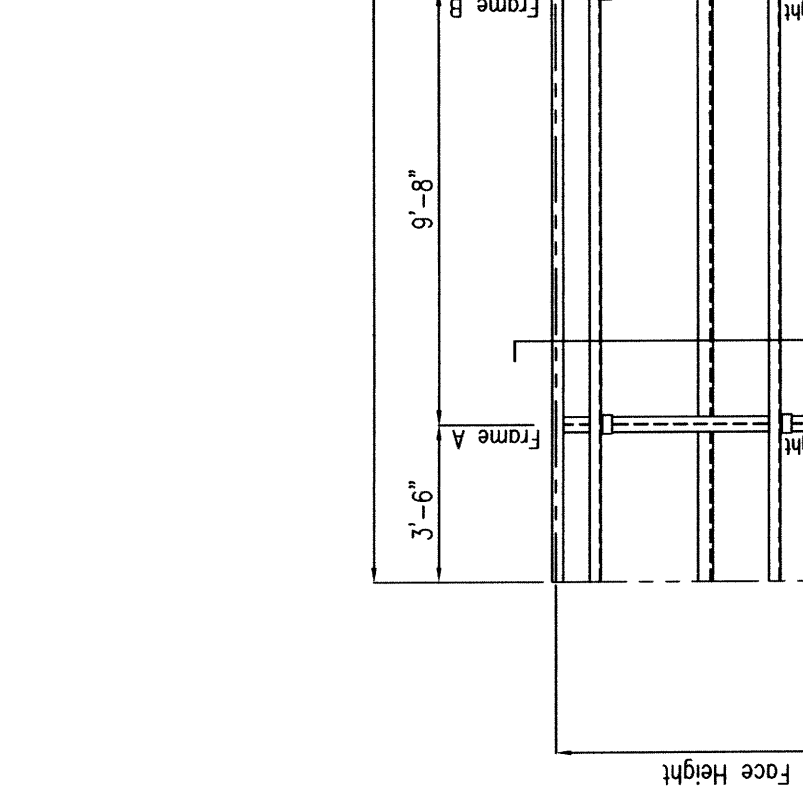
3 Frame Detail



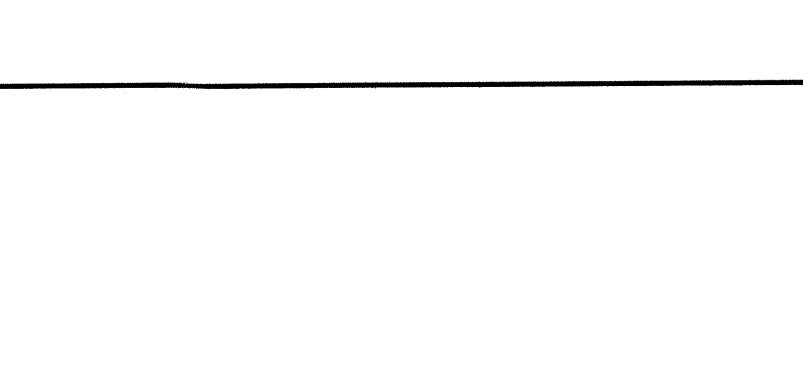
9 Ledger Connection



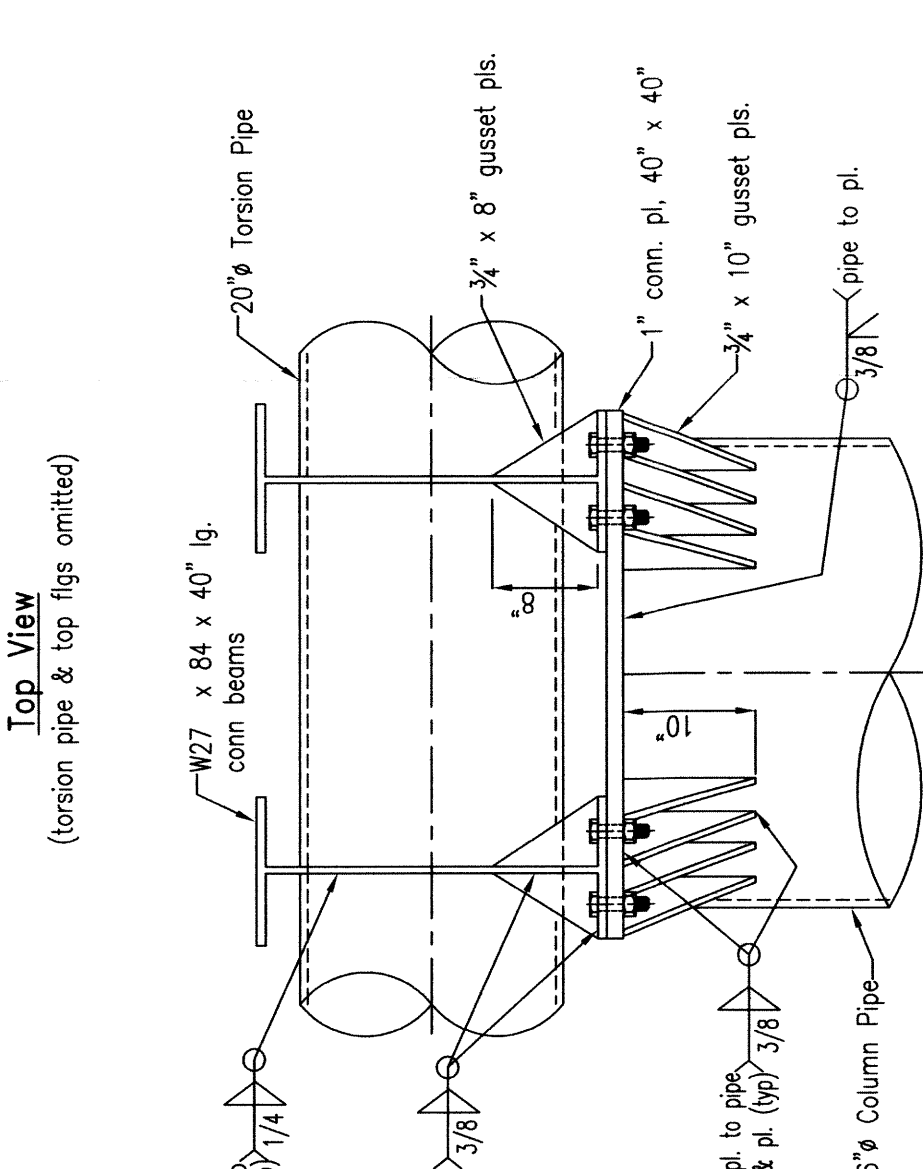
6 Outrigger & Upright Connection



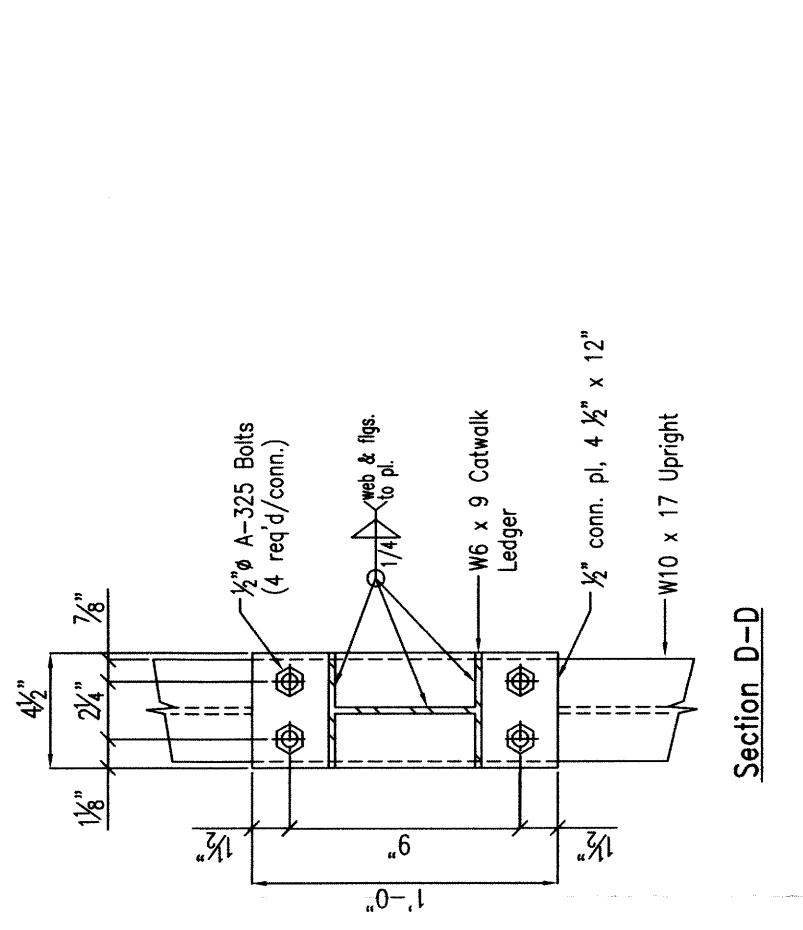
5 Stringer Connection



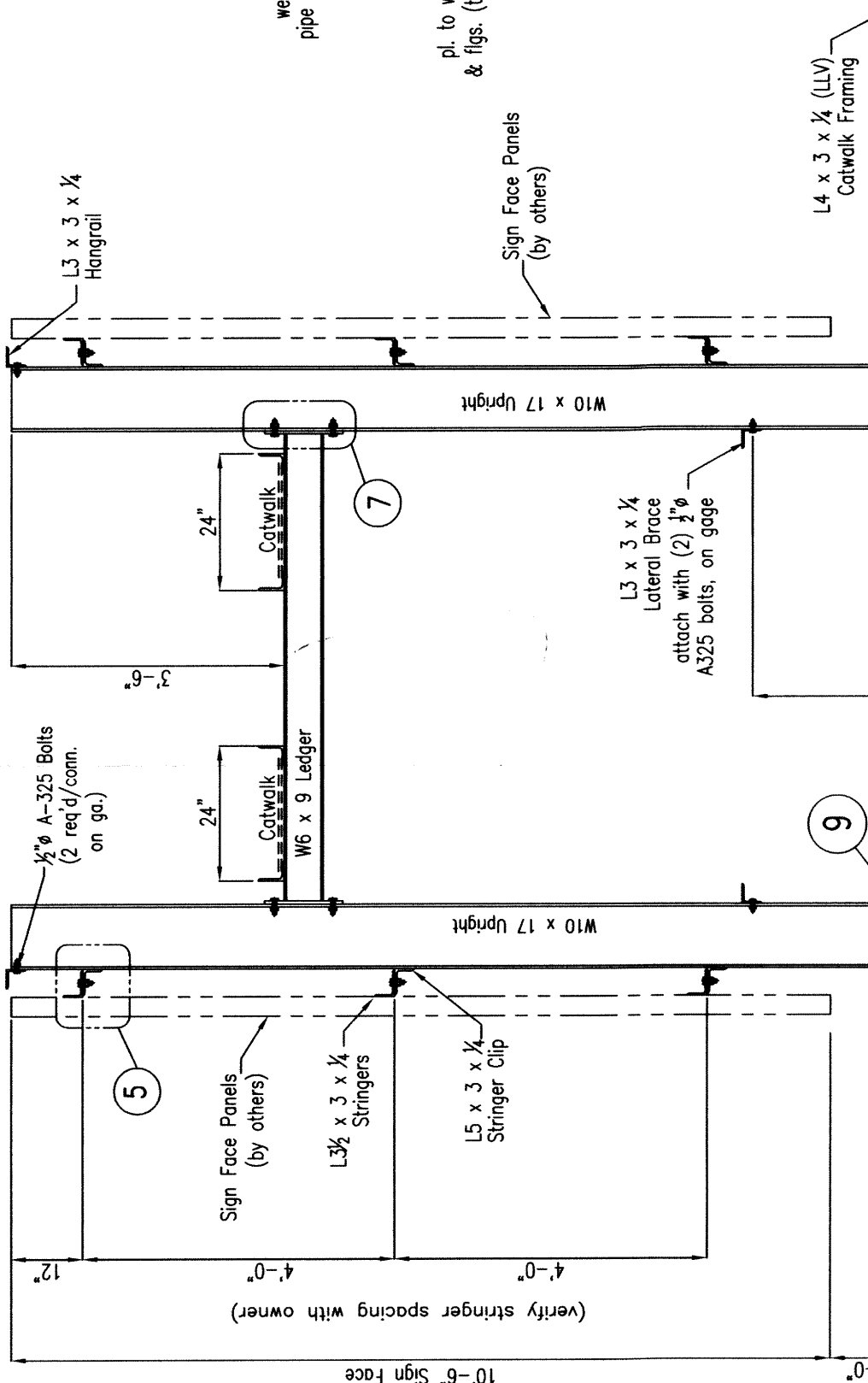
Top View
(torsion pipe & top flgs omitted)



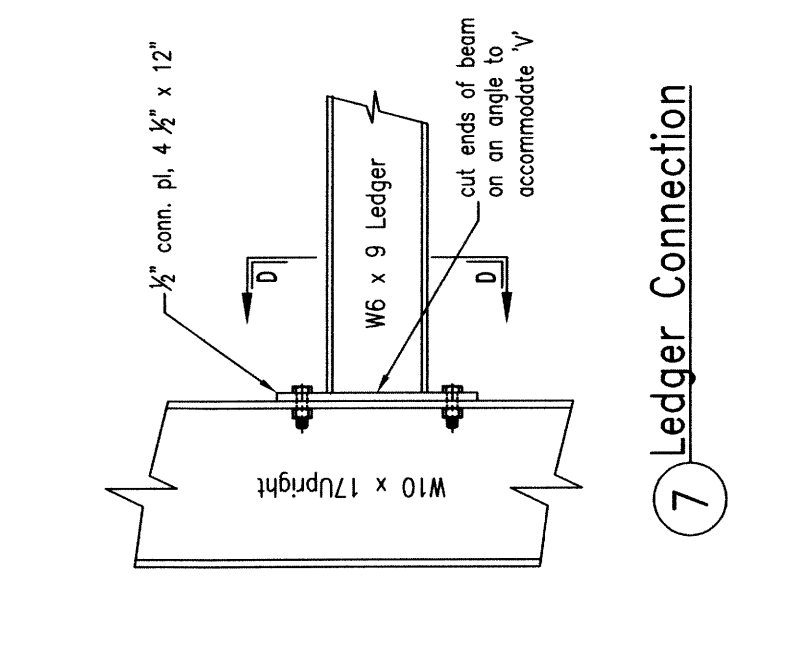
4 Column Connection



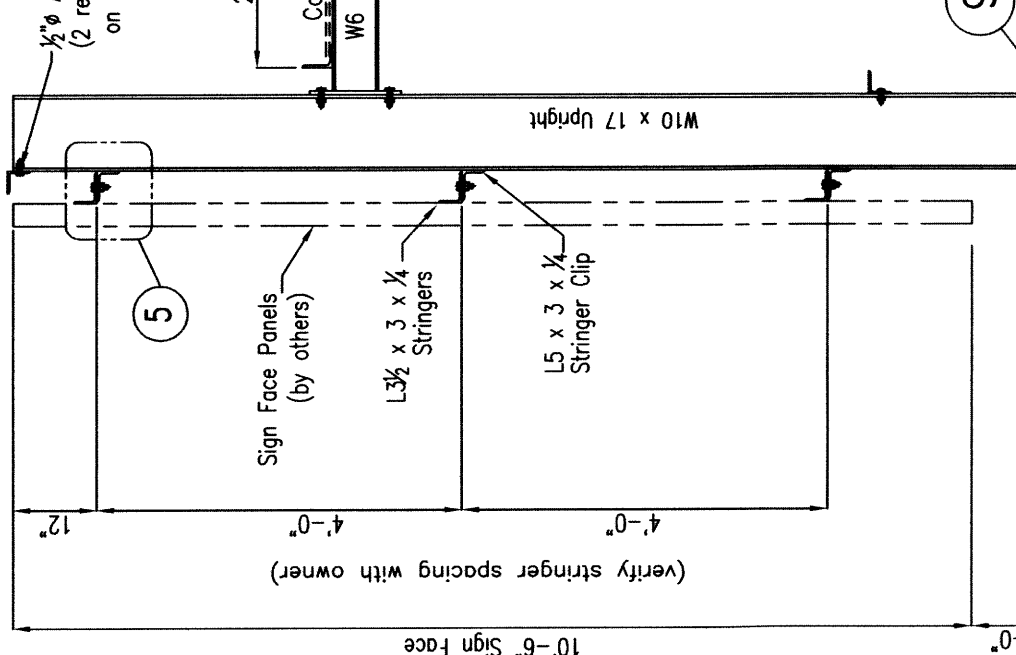
7 Ledger Connection



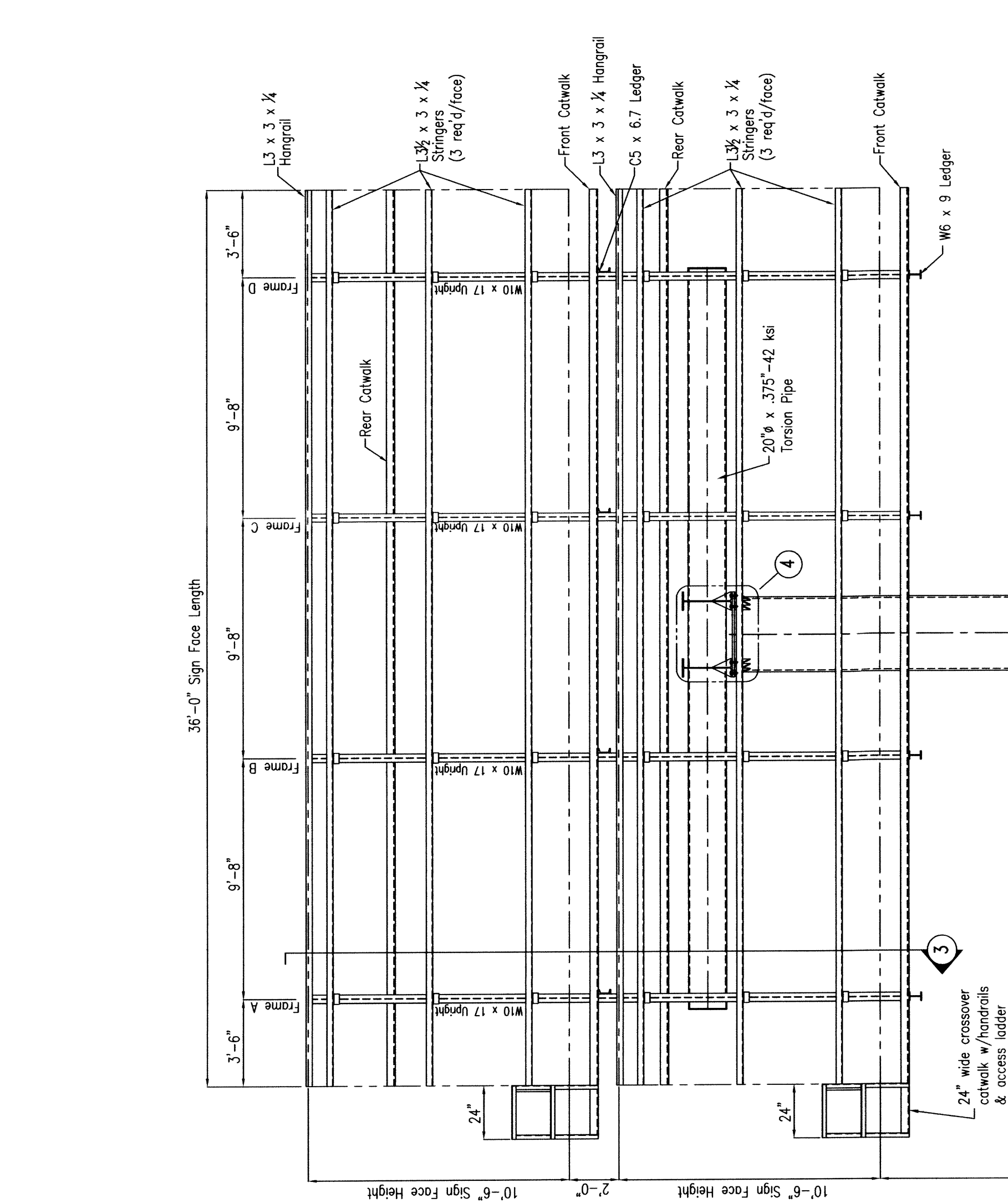
6 Front Ledger Connection



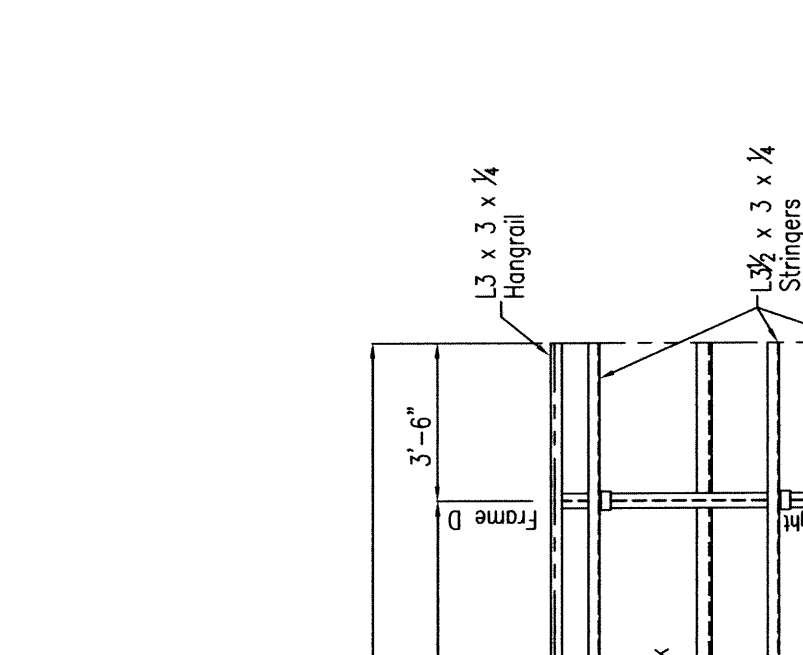
5 Stringer Connection



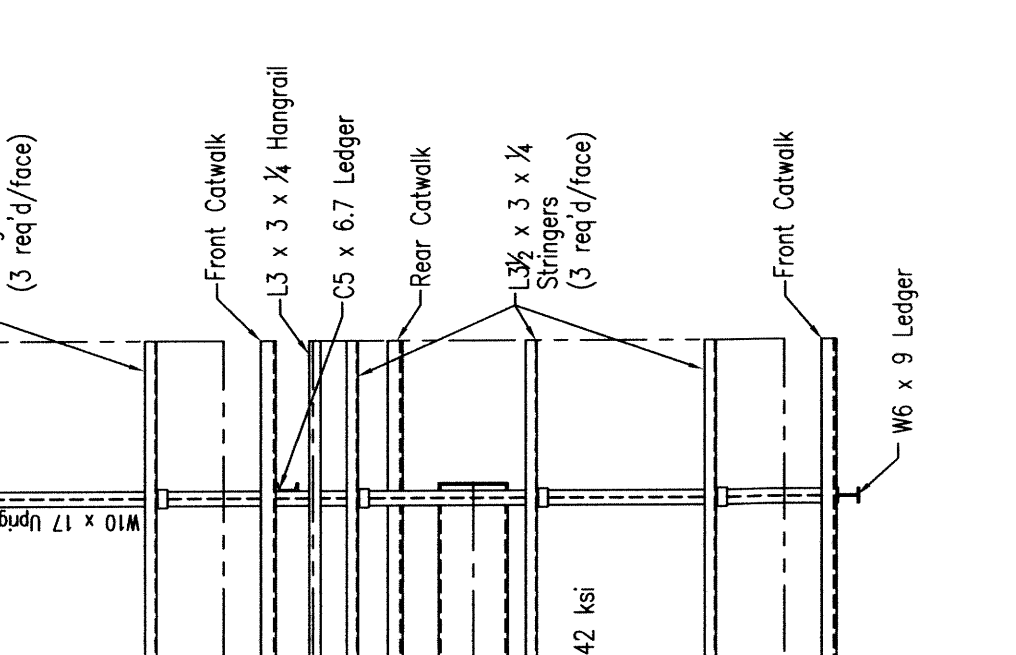
8 Outrigger & Upright Connection



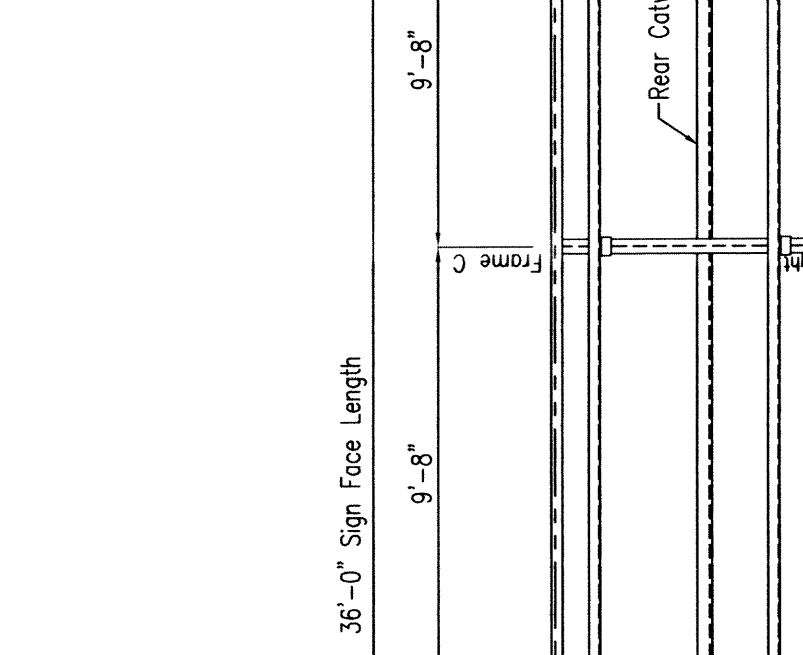
2 Front Elevation



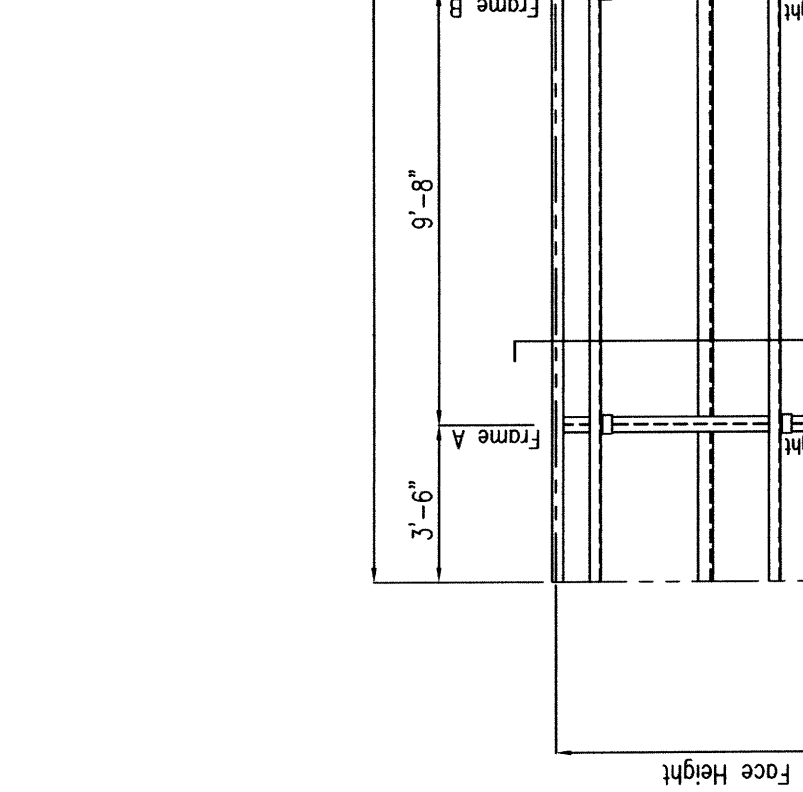
3 Frame Detail



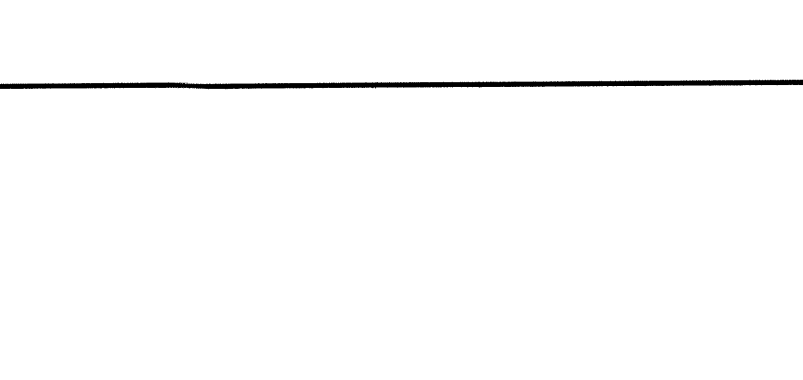
9 Ledger Connection



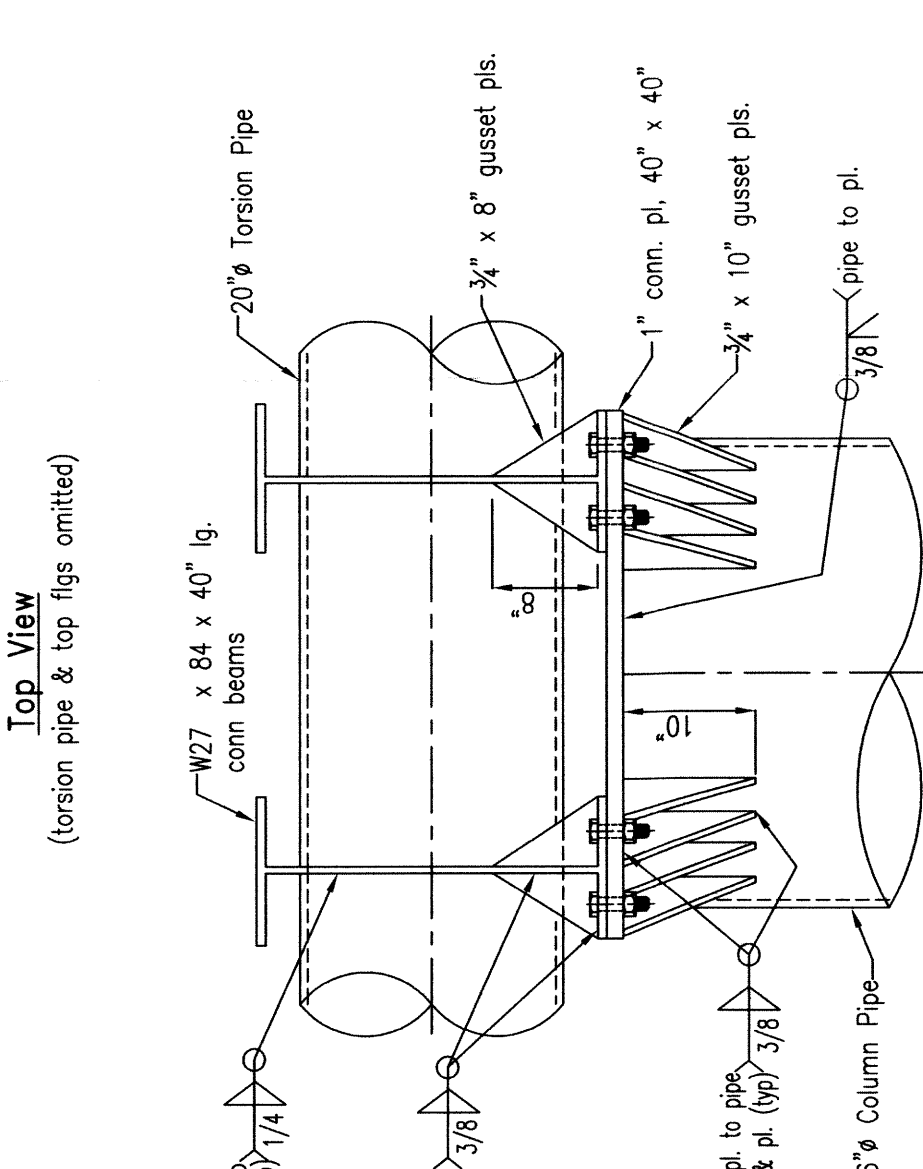
6 Outrigger & Upright Connection



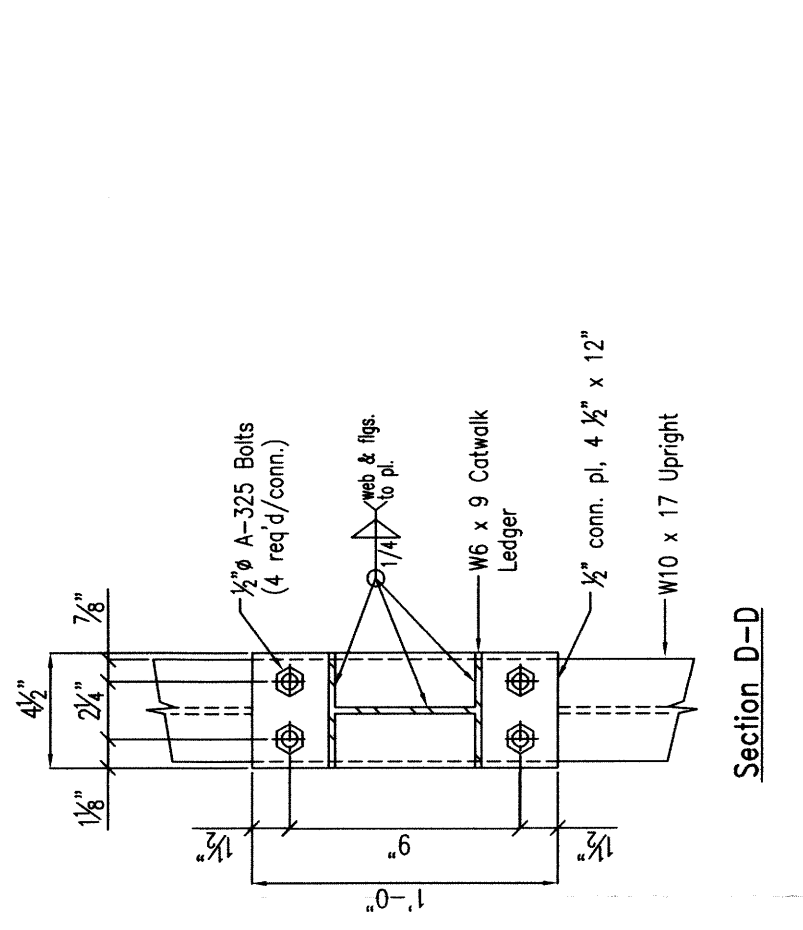
5 Stringer Connection



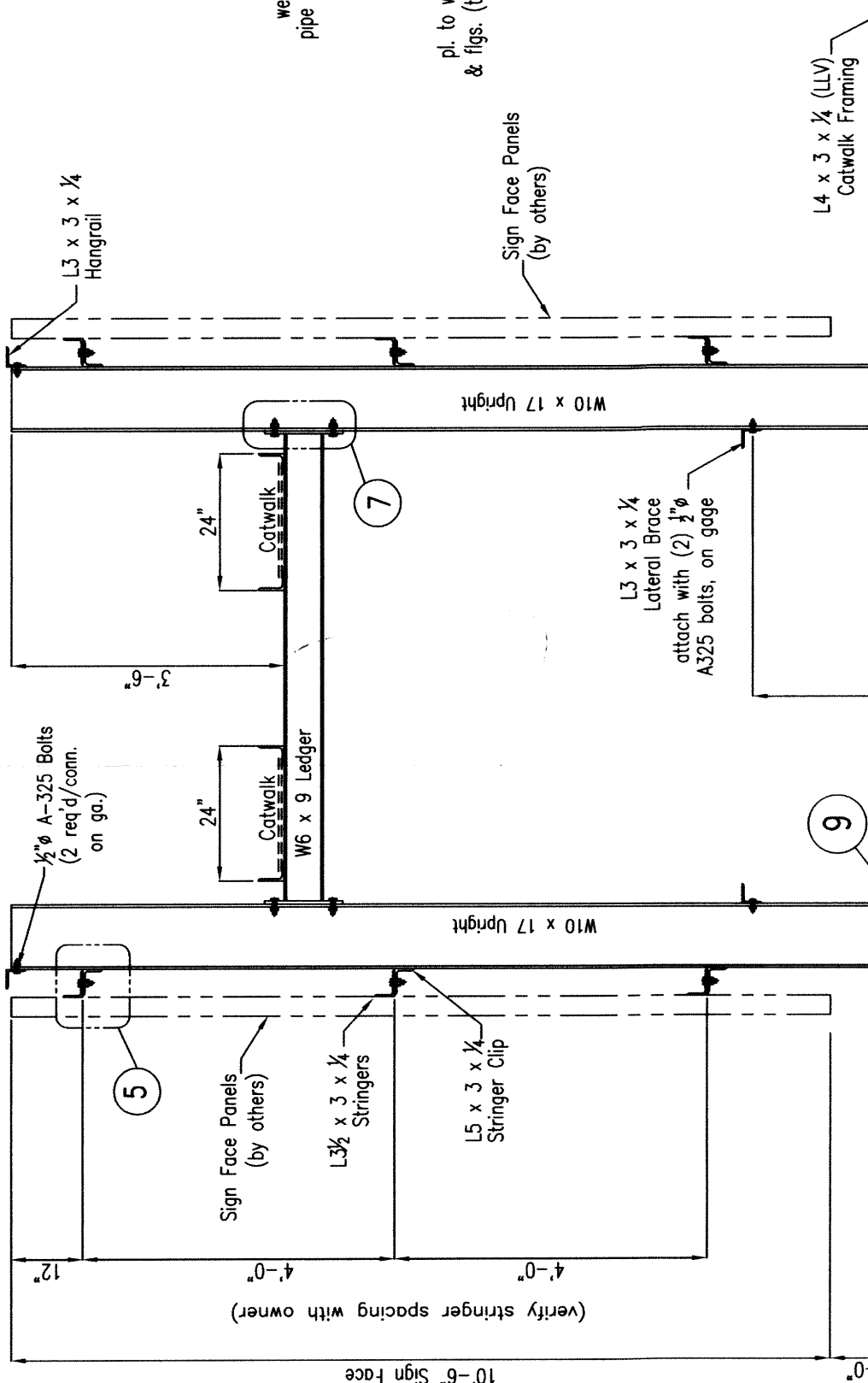
Top View
(torsion pipe & top flgs omitted)



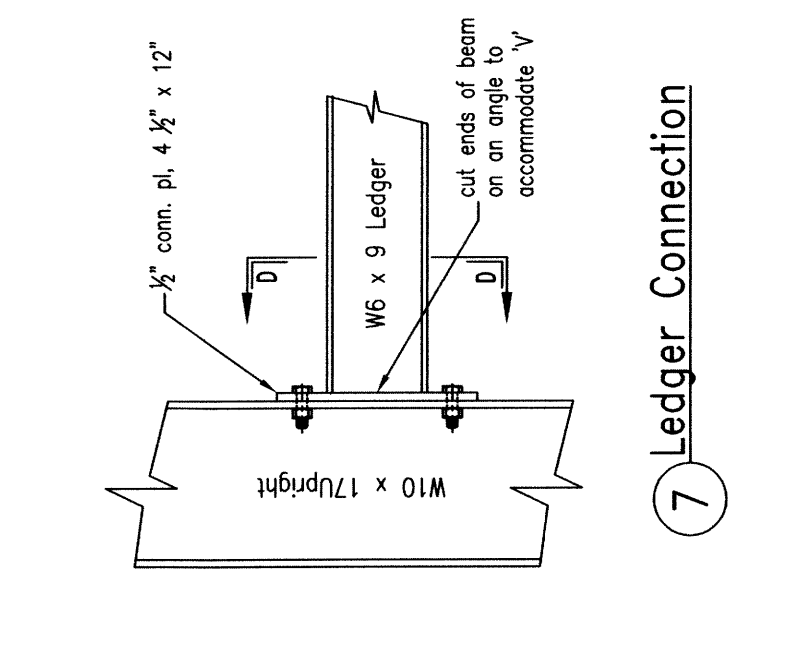
4 Column Connection



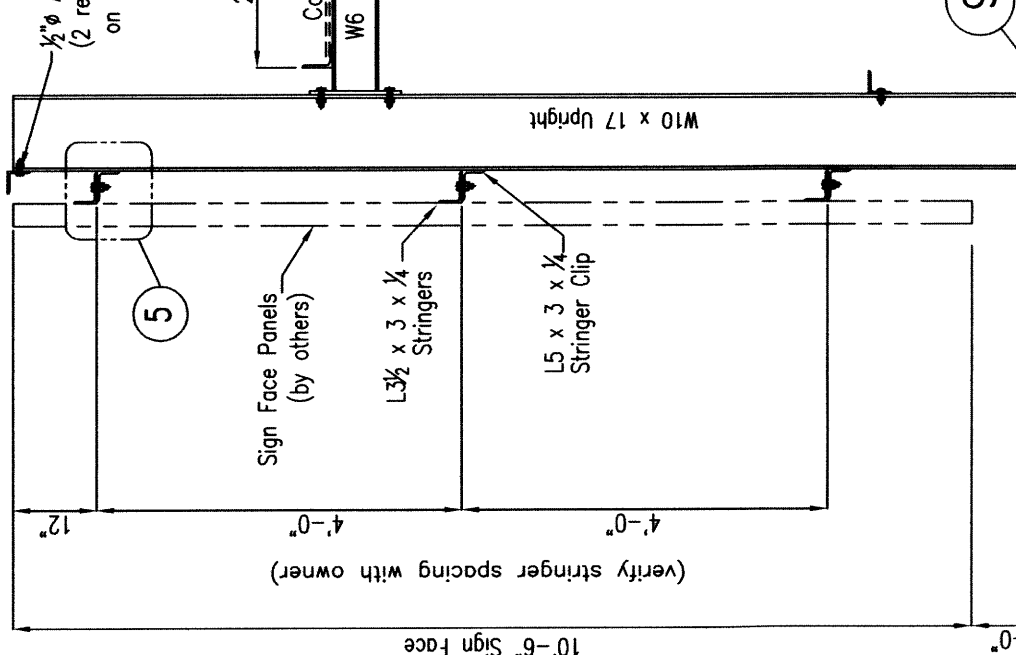
7 Ledger Connection



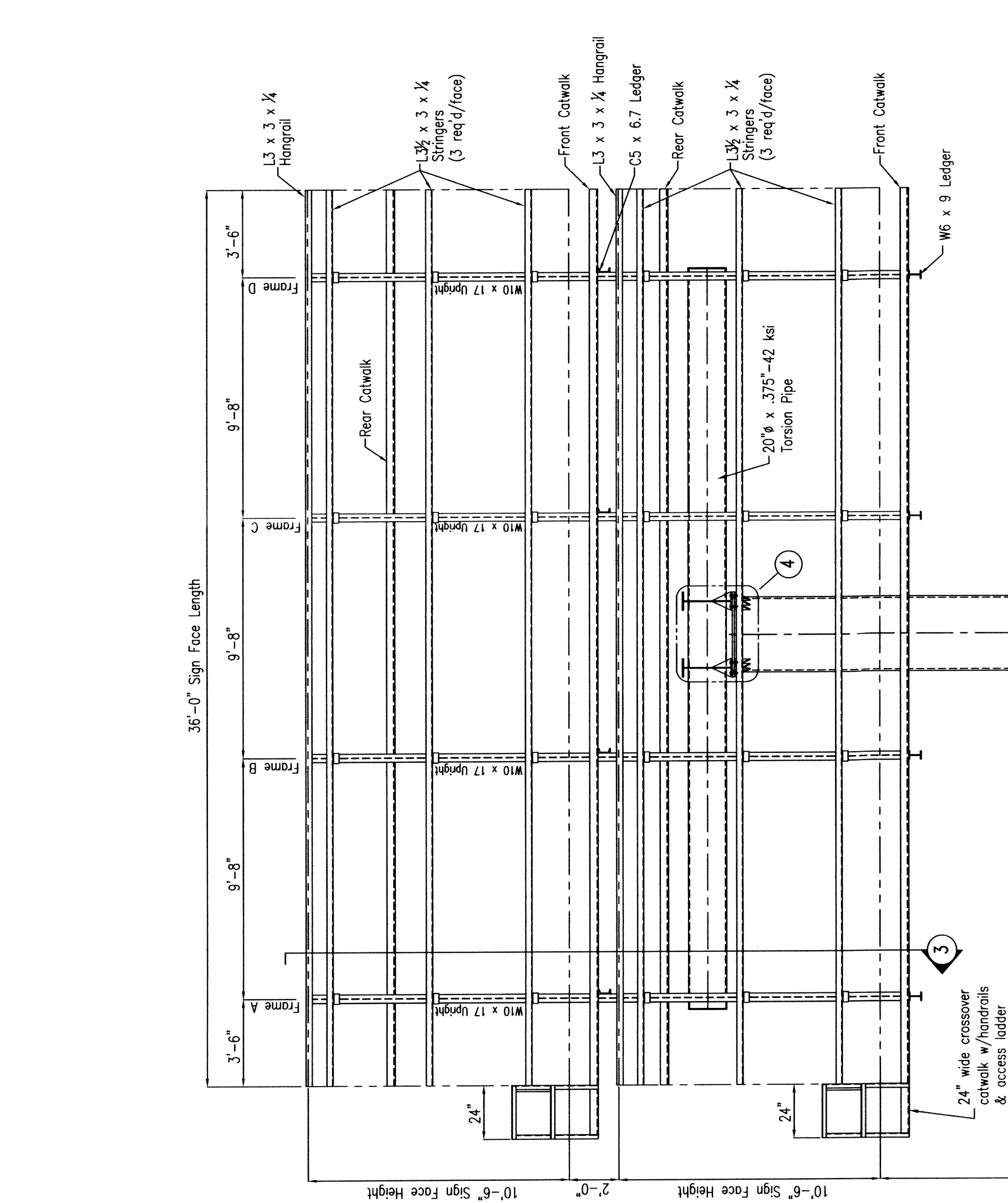
6 Front Ledger Connection



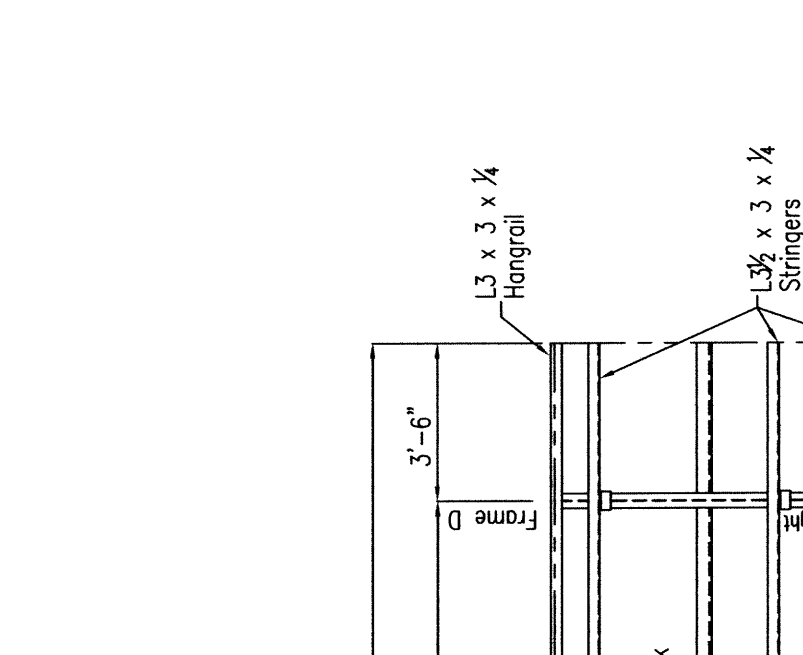
5 Stringer Connection



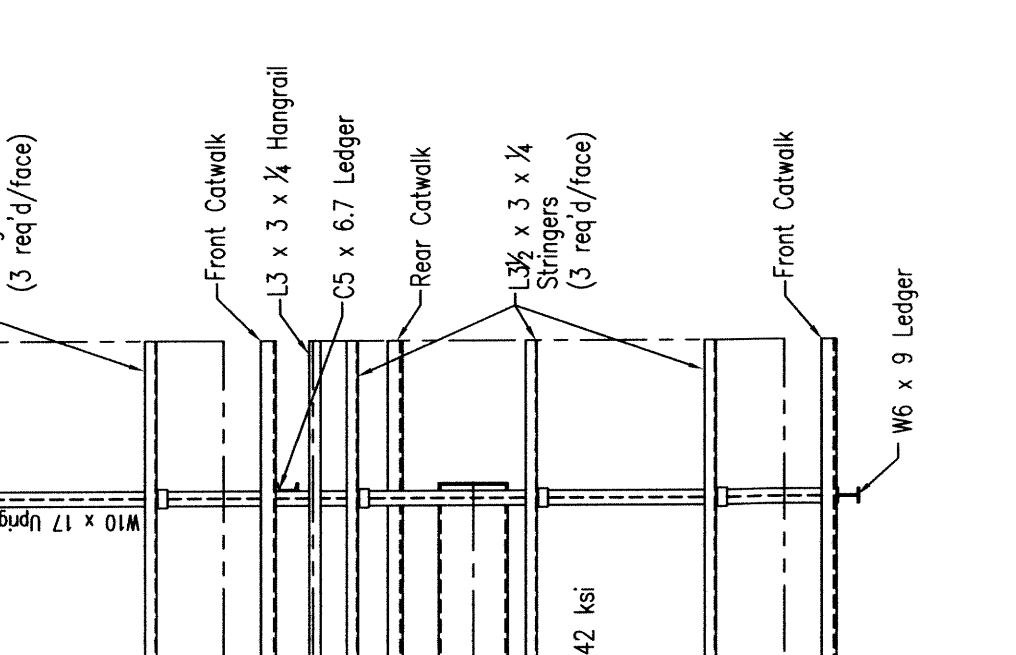
8 Outrigger & Upright Connection



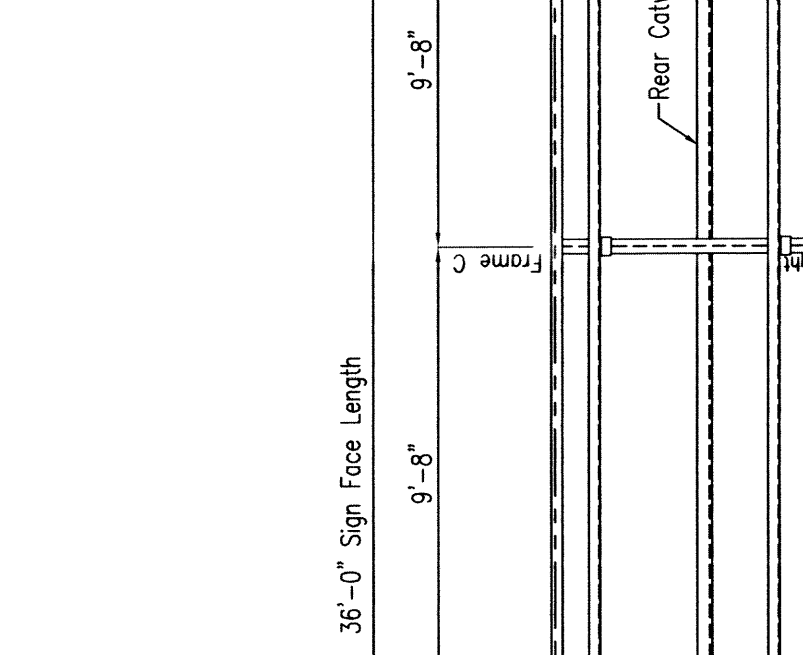
2 Front Elevation



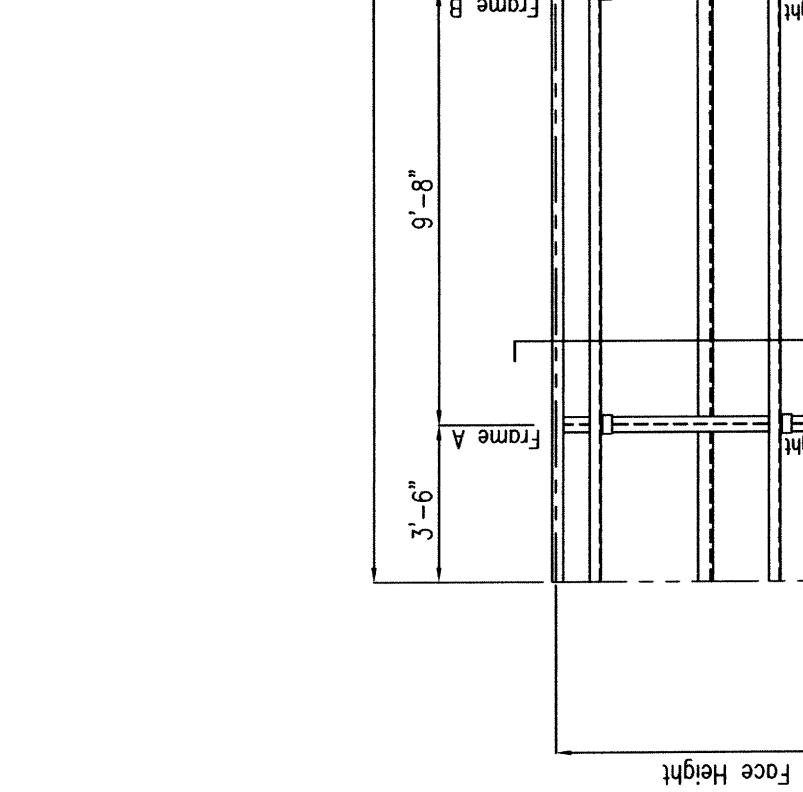
3 Frame Detail



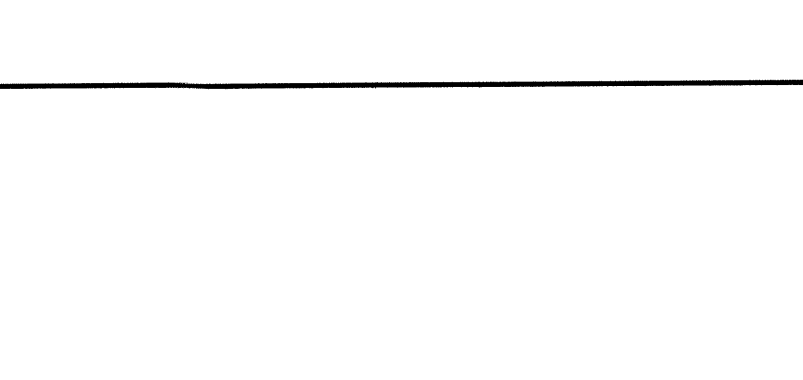
9 Ledger Connection



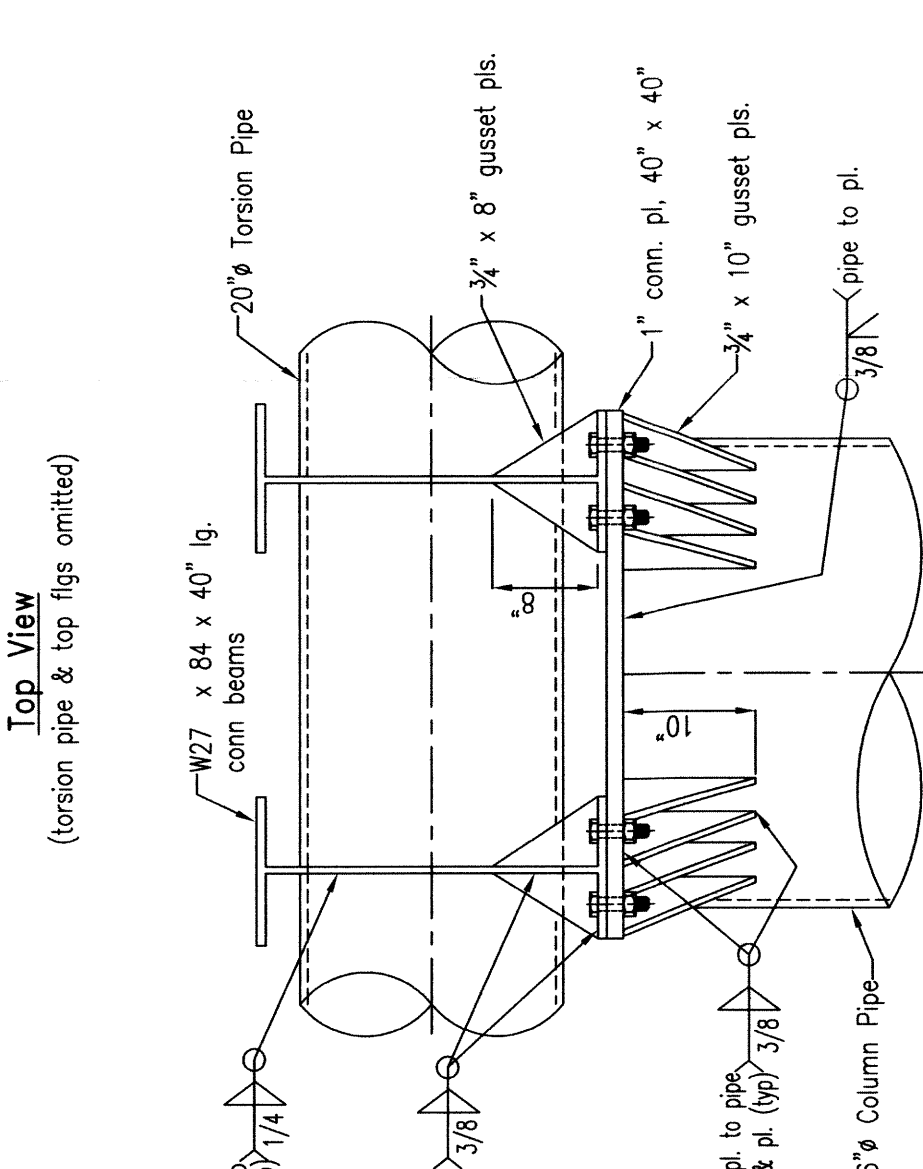
6 Outrigger & Upright Connection



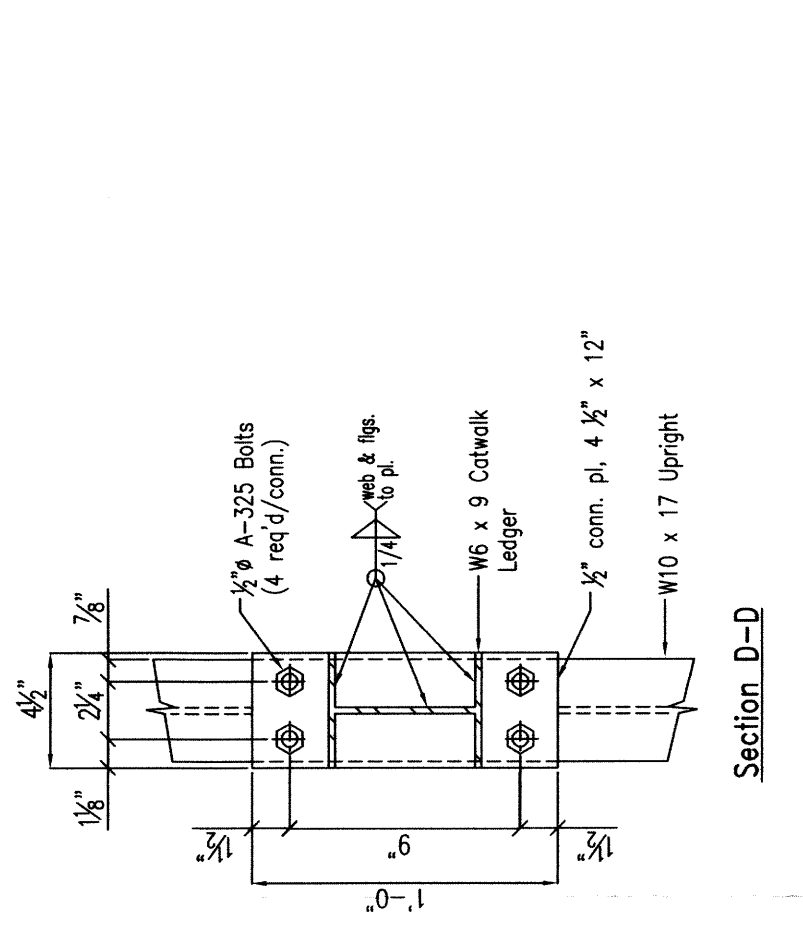
5 Stringer Connection



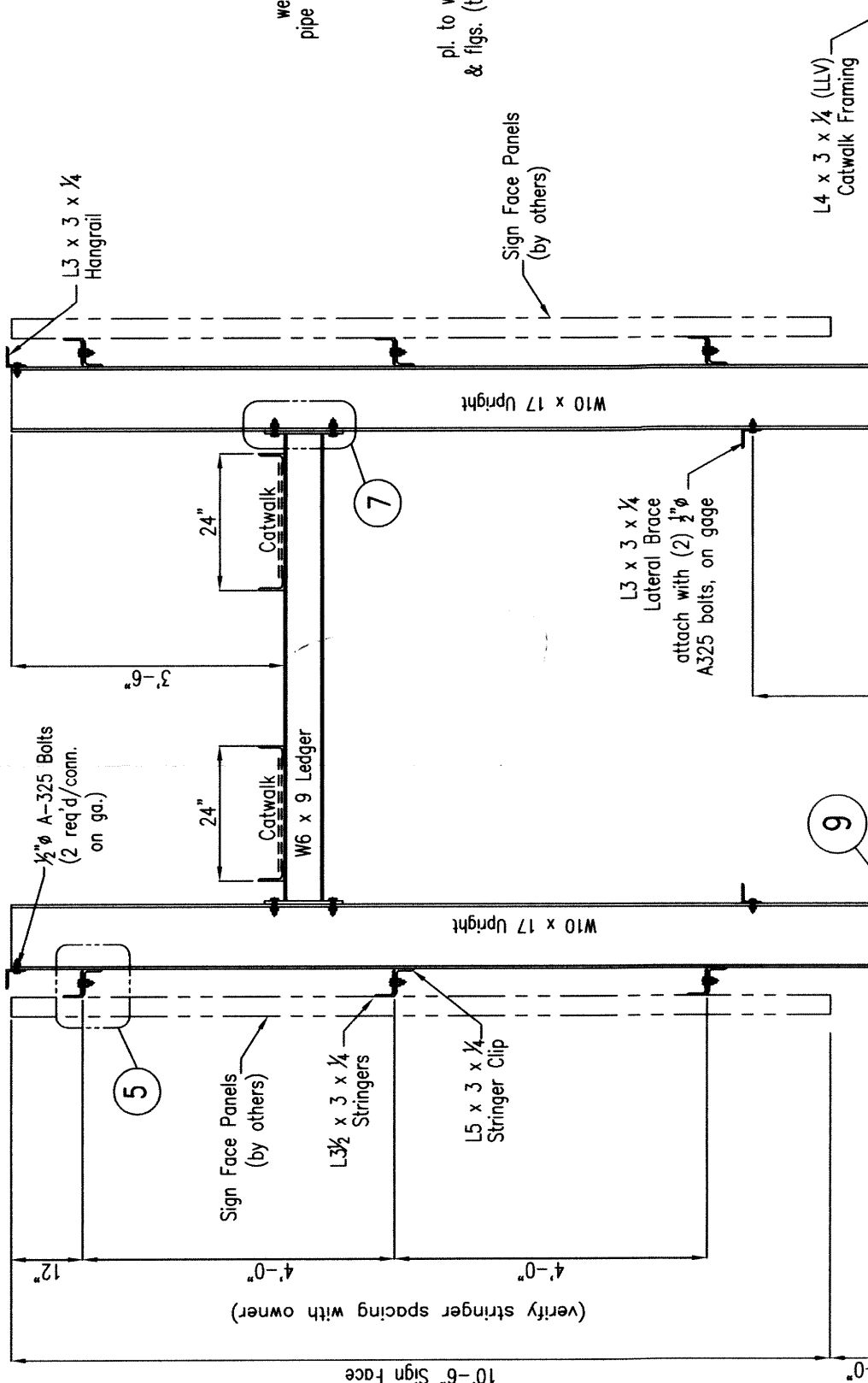
Top View
(torsion pipe & top flgs omitted)



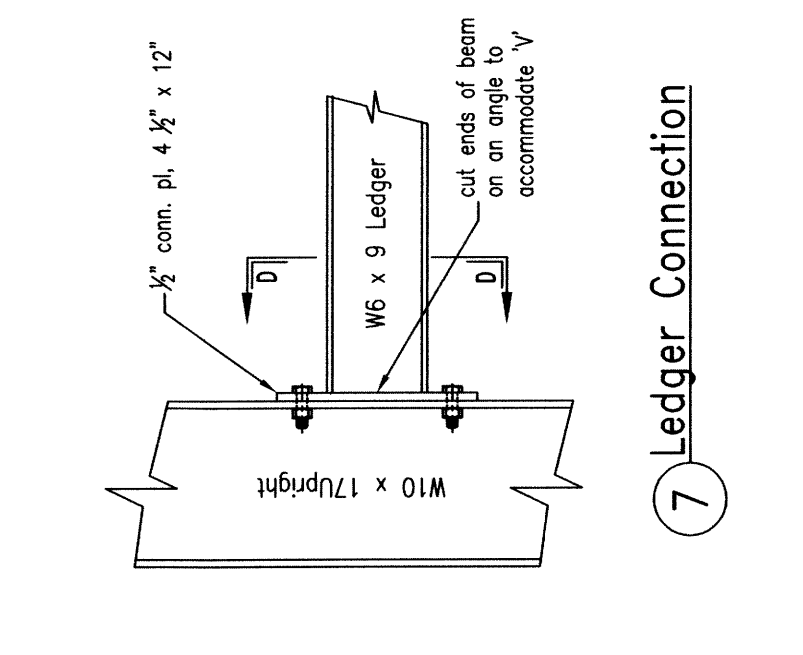
4 Column Connection



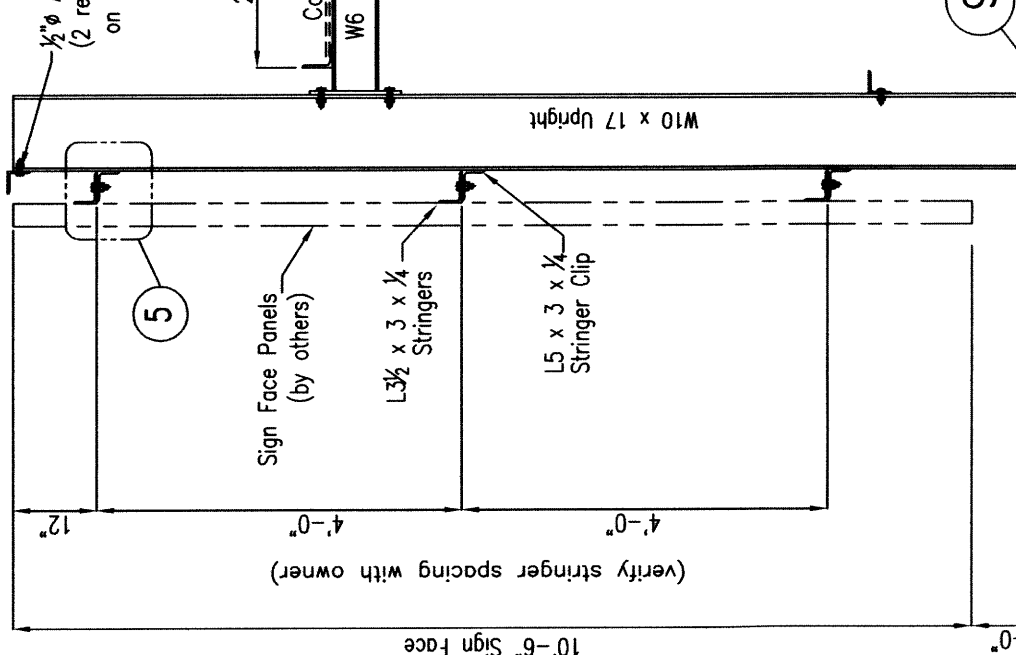
7 Ledger Connection



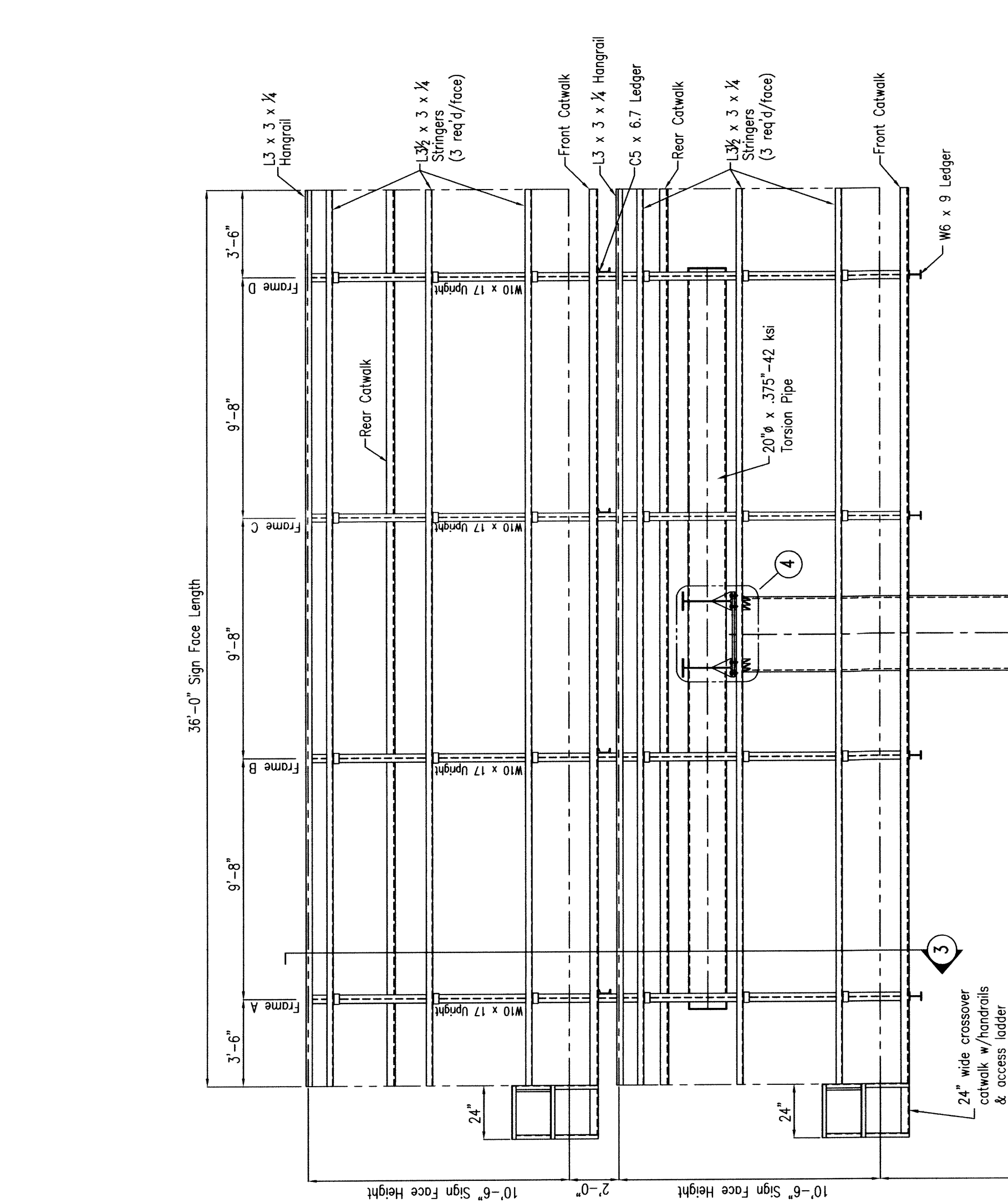
6 Front Ledger Connection



5 Stringer Connection



8 Outrigger & Upright Connection



2 Front Elevation

