

Alternate No. 1 – Storage Track at Heath Road

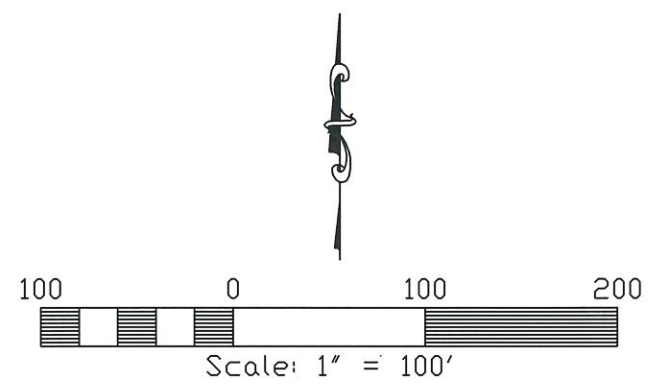
1. Min 112# Rail, Ties, Ballast, Subballast, Subgrade & Incidentals	4,757 @ 250.	\$1,189,250.00
2. 112# Min No. 11 Turnouts	2 EA @ 75,000.	\$ 150,000.00
3. Rail Bridge	80 LF @ 3,000.	\$ 240,000.00
4. Derail	2 EA @ 10,000.	<u>\$ 20,000.00</u>
	Subtotal	\$1,599,250.00
	15% Engineering	<u>\$ 239,750.00</u>
	Total	\$1,839,000.00

REVISED ON:		
NO.	DATE	BY
△	xx XXX xx	xxx

W. WILLIAM GRAHAM JR., INC.
CONSULTING ENGINEERS
LITTLE ROCK, ARKANSAS
Ph: (501)227-0078

CITY OF JONESBORO - Jonesboro, AR
Proposed Industrial Lead Rail Expansion
Preliminary Rail Layout - Proposed Siding Track ALT #1

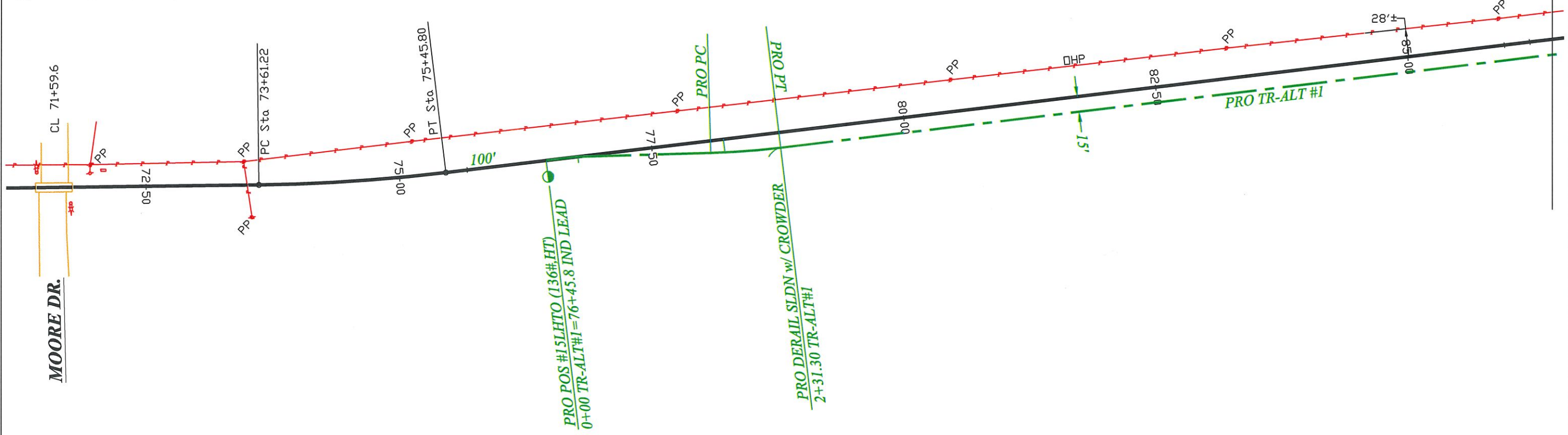
DESIGNER
ges
CHECKER
rbg
DRAFTER
ccr
PROJECT
2018_02
SHEET
C1
1 OF 15



EX CURVE
R = 1,725'±
Dc = 3°19'19"

PRO CURVE TR-ALT#1
R = 764.49'
Dc = 7°30'

TO BNSF MAINLINE



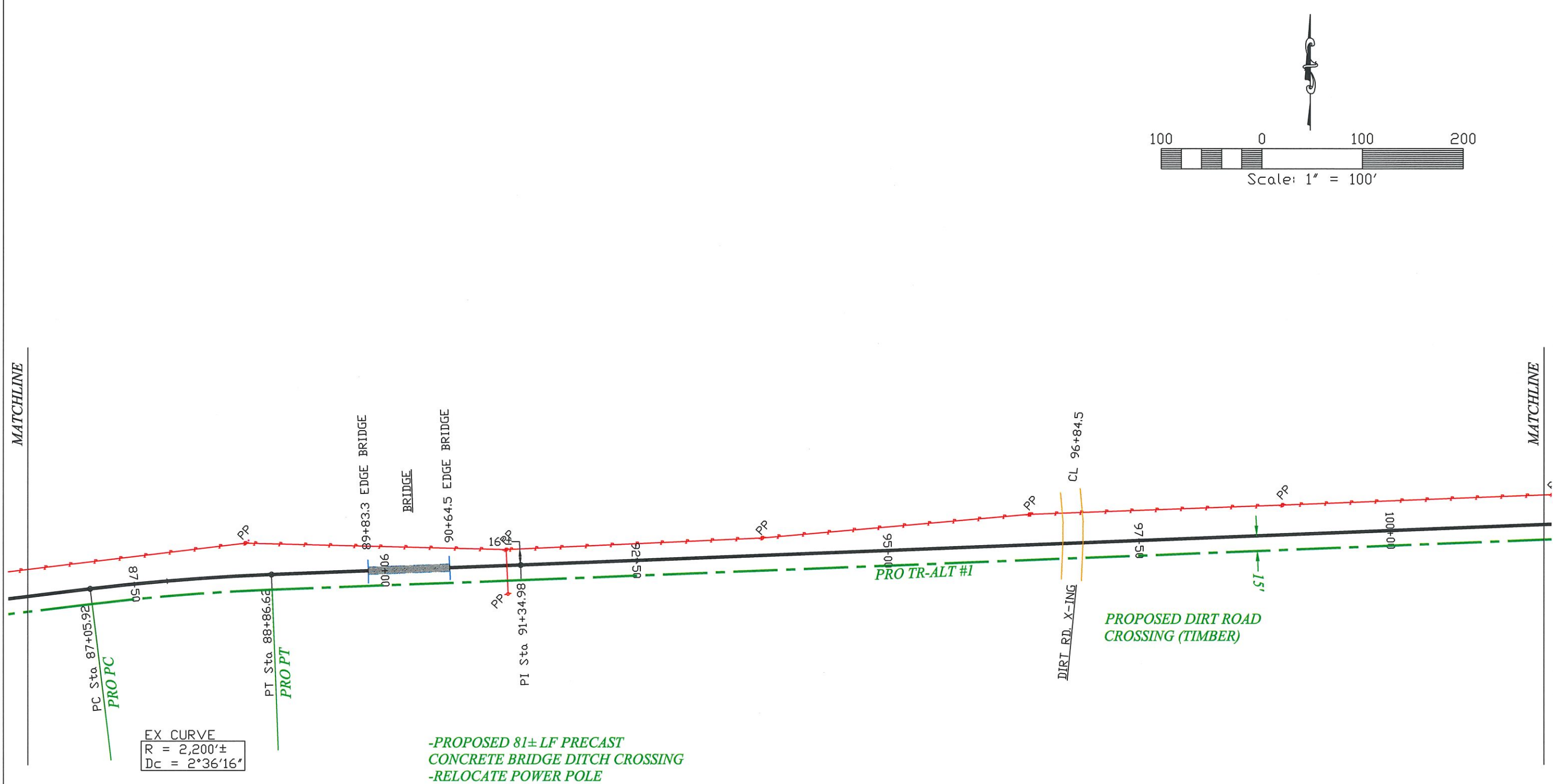
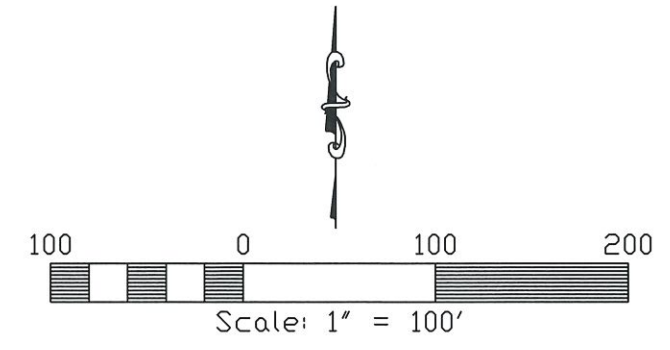
MATCHLINE

REVISED ON:		
NO.	DATE	BY
△ xx	XXX xx	xxx

W. WILLIAM GRAHAM JR., INC.
CONSULTING ENGINEERS
LITTLE ROCK, ARKANSAS
Ph: (501)227-0078

CITY OF JONESBORO - Jonesboro, AR
Proposed Industrial Lead Rail Expansion
Preliminary Rail Layout - Proposed Siding Track ALT #1

DESIGNER ges
CHECKER rbg
DRAFTER ccr
PROJECT 2018_02
SHEET C2
2 OF 15



EX CURVE
 $R = 2,200' \pm$
 $D_c = 2^\circ 36' 16''$

PRO CURVE TR-ALT#1
 $R = 2,185.00'$
 $D_c = 2^\circ 37' 20.9''$

-PROPOSED 81± LF PRECAST
CONCRETE BRIDGE DITCH CROSSING
-RELOCATE POWER POLE

MATCHLINE

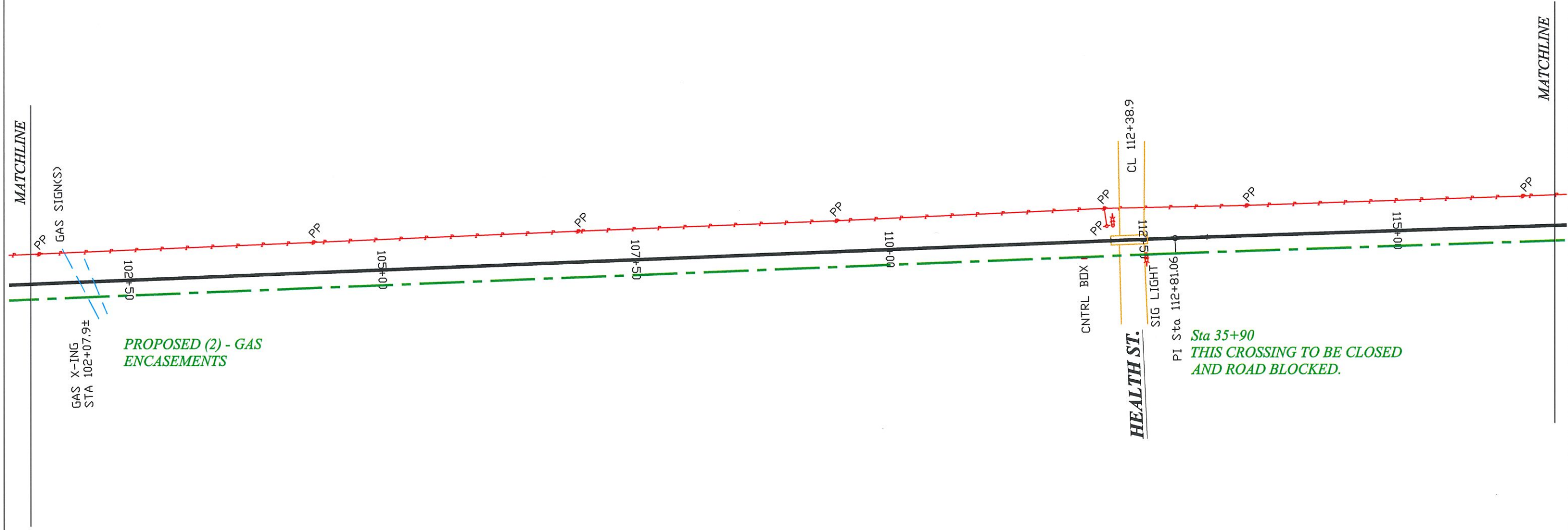
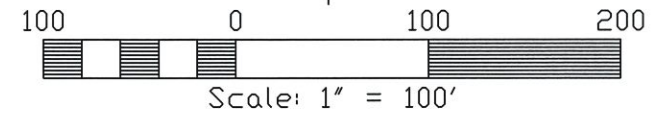
MATCHLINE

REVISED ON:		
NO.	DATE	BY
△	xx XXX xx	xxx

W. WILLIAM GRAHAM JR., INC.
CONSULTING ENGINEERS
LITTLE ROCK, ARKANSAS
Ph: (501)227-0078

CITY OF JONESBORO - Jonesboro, AR
Proposed Industrial Lead Rail Expansion
Preliminary Rail Layout - Proposed Siding Track ALT #1

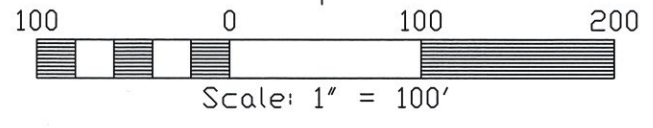
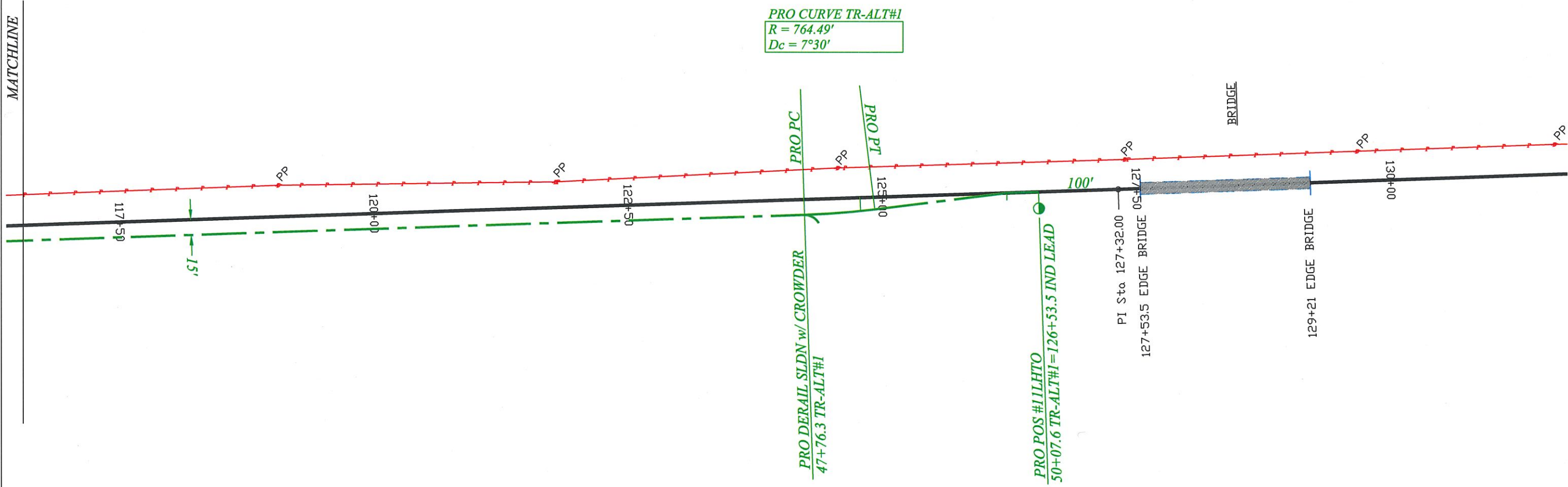
DESIGNER
ges
CHECKER
rbg
DRAFTER
ccr
PROJECT
2018_02
SHEET
C3
3 OF 15



PROPOSED (2) - GAS
ENCASEMENTS

Sta 35+90
THIS CROSSING TO BE CLOSED
AND ROAD BLOCKED.

MATCHLINE



REVISED ON:		
NO.	DATE	BY
△ xx	xxx xx	xxx

W. WILLIAM GRAHAM JR., INC.
CONSULTING ENGINEERS
LITTLE ROCK, ARKANSAS
Ph: (501)227-0078

CITY OF JONESBORO - Jonesboro, AR
Proposed Industrial Lead Rail Expansion
Preliminary Rail Layout - Proposed Siding Track ALT #1

DESIGNER
ges
CHECKER
rbg
DRAFTER
ccr
PROJECT
2018_02
SHEET