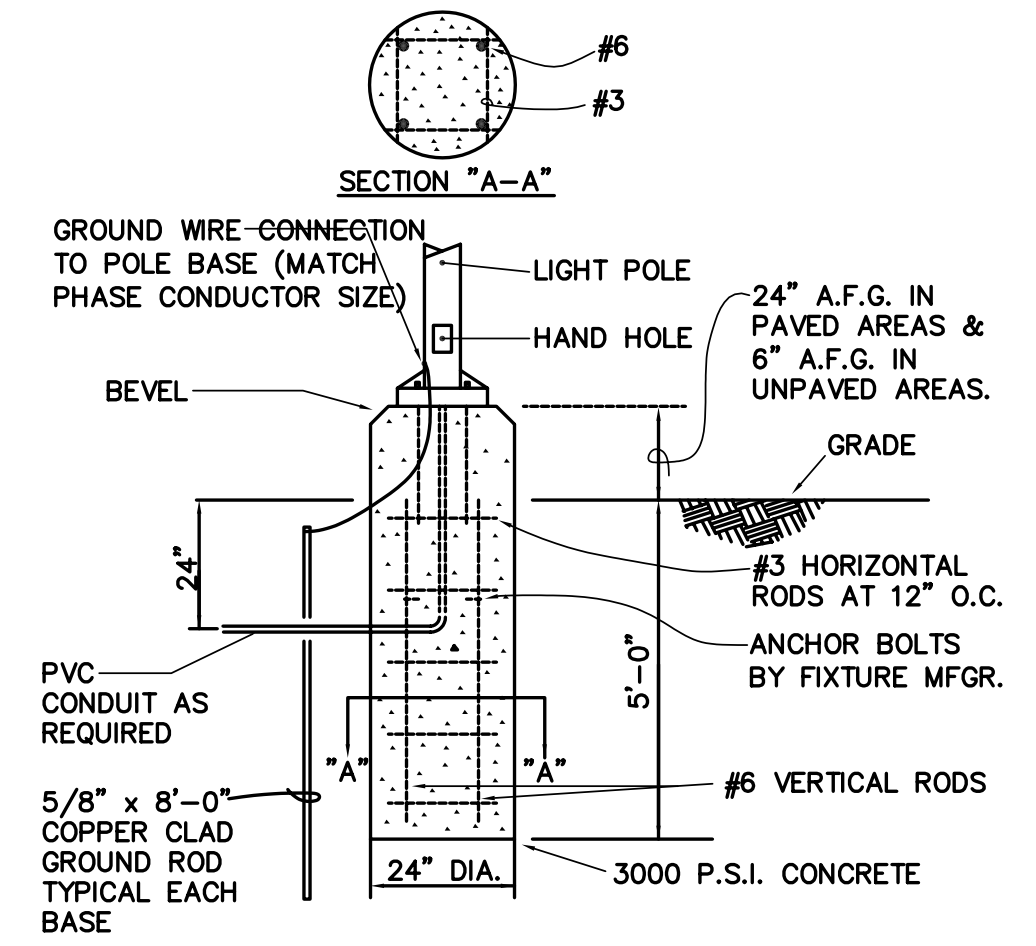


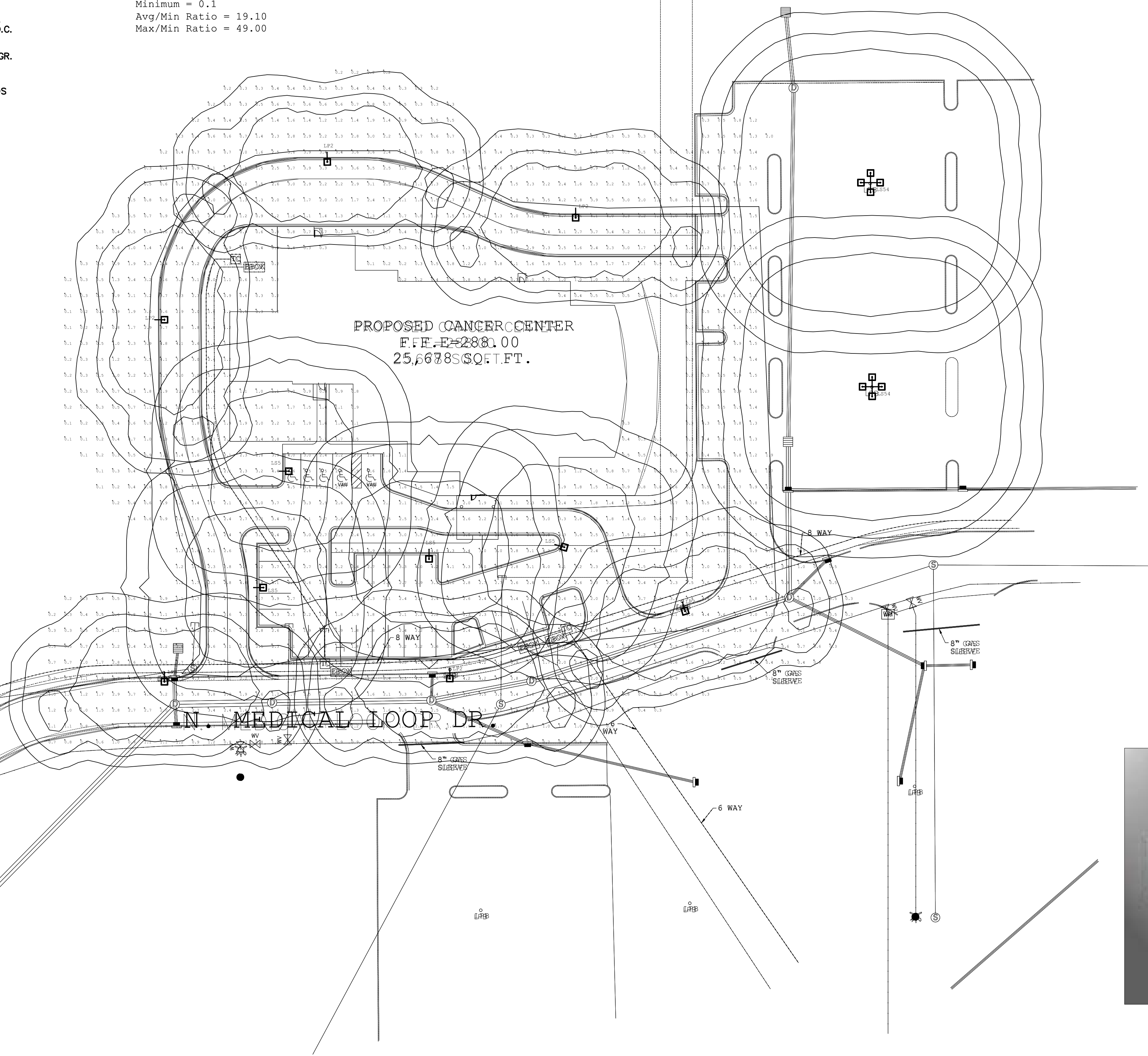
Symbol	Qty	Label	Arrangement	Total Lamp Lumens	Description
[Symbol]	6	LP2	SINGLE	36000	GSM-XX-400-MH-XX-2S-FG
[Symbol]	4	LS5	SINGLE	36000	GSM-XX-400-MH-XX-5S-FG Single Head
[Symbol]	2	LS54	4 @ 90 DEGREES	36000	GSM-XX-400-MH-XX-5S-FG Quad Head

FIXTURES TO BE MOUNTED ON MANUFACTURER'S STRAIGHT STEEL POLES.  
 OVERALL HEIGHT OF POLE INCLUDING FIXTURE SHALL BE 30'.  
 POLE BASE DIMENSIONS TO BE TAKEN INTO ACCOUNT DEPENDING ON LOCATION  
 OF POLE IN PAVED AND UNPAVED AREAS. REFER TO POLE BASE DETAIL.

Parking-Driveway Area  
 Cancer Center Parking and Driveway area  
 Illuminance (Fc)  
 Average = 1.91  
 Maximum = 4.9  
 Minimum = 0.1  
 Avg/Min Ratio = 19.10  
 Max/Min Ratio = 49.00



**POLE BASE DETAIL**  
 SCALE: NONE



THE DOCUMENT IS THE PROPERTY OF ASHEW HARDWARES HANCOCK & ASSOCIATES, INC. ANY REVISIONS, ADDITIONS, DELETIONS, OR OTHER CHANGES MADE TO THIS DOCUMENT WITHOUT THE EXPRESS WRITTEN CONSENT OF ASHEW HARDWARES HANCOCK & ASSOCIATES, INC. SHALL BE AT THE USER'S SOLE RISK AND WITHOUT LIABILITY TO ASHEW HARDWARES HANCOCK & ASSOCIATES, INC.