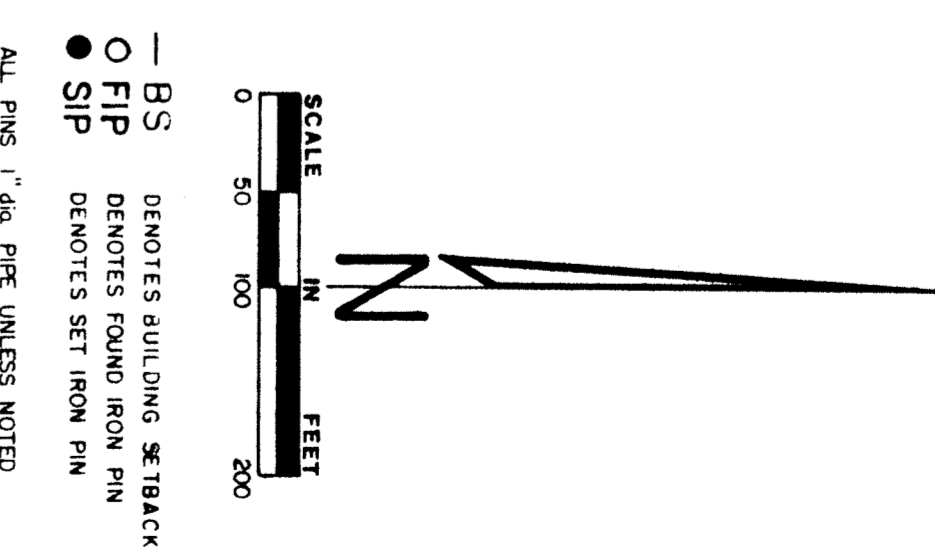
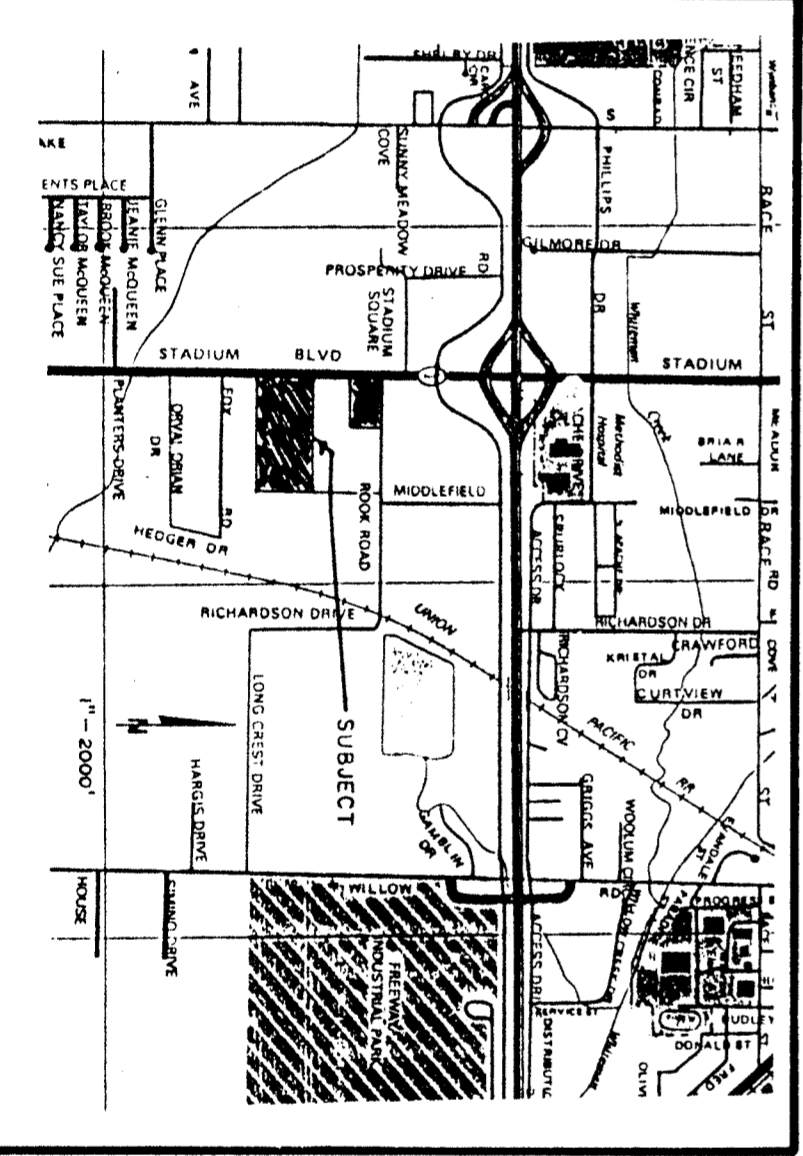
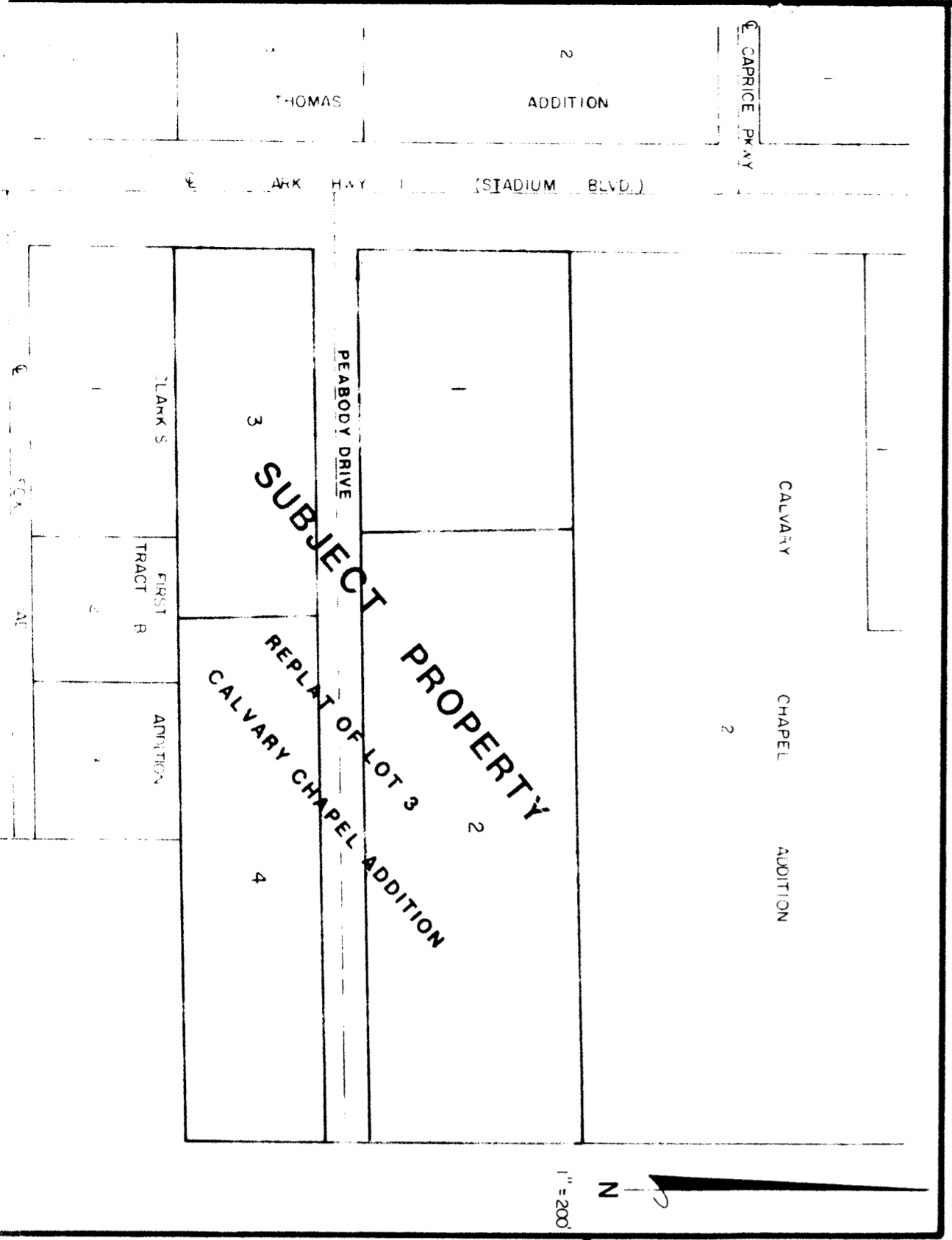
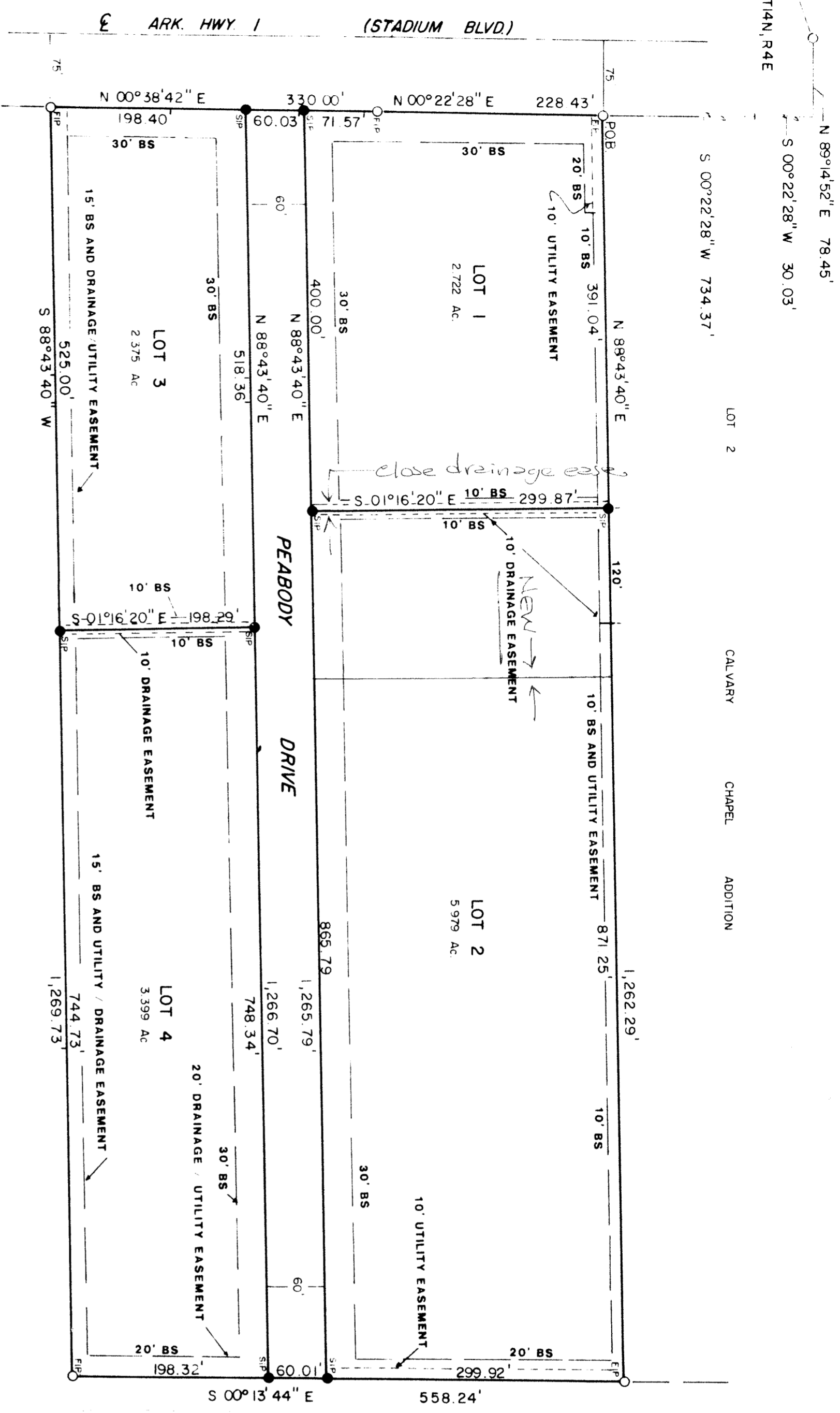


NW CORNER
SW 1/4, NE 1/4
SECTION 33, T14N, R4E



- BS DENOTES BUILDING SETBACK
 - FIP DENOTES FOUND IRON PIN
 - SIP DENOTES SET IRON PIN
- ALL PINS 1" dia PIPE UNLESS NOTED

DEPARTMENT OF HIGHWAYS
 1. Having a copy of the plat and approved map, the plat and map, and a complete survey of the above described property, and that all property lines and corner monuments have been properly established, to the best of my knowledge and belief.

REPLAT OF LOT 3
 CALVARY CHAPEL ADDITION

RECORD PLAT
REPLAT OF LOT 3
CALVARY CHAPEL ADDITION
JONESBORO, ARKANSAS

MULHOLLEN & ASSOCIATES INC.
 CIVIL ENGINEERING SERVICES
 JONESBORO 1825 E NETTLETON SUITE 1
 ARKANSAS