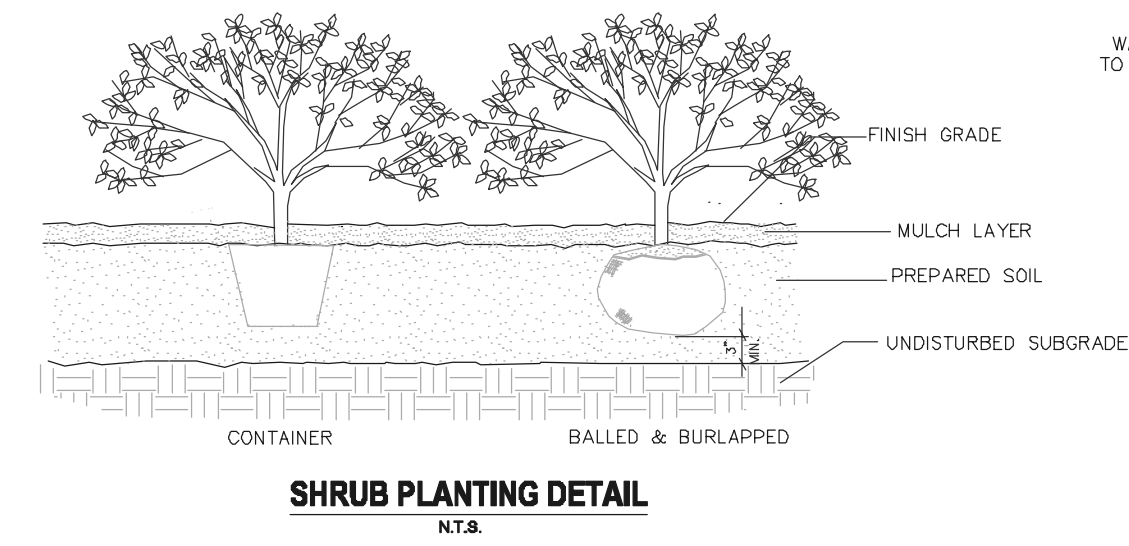
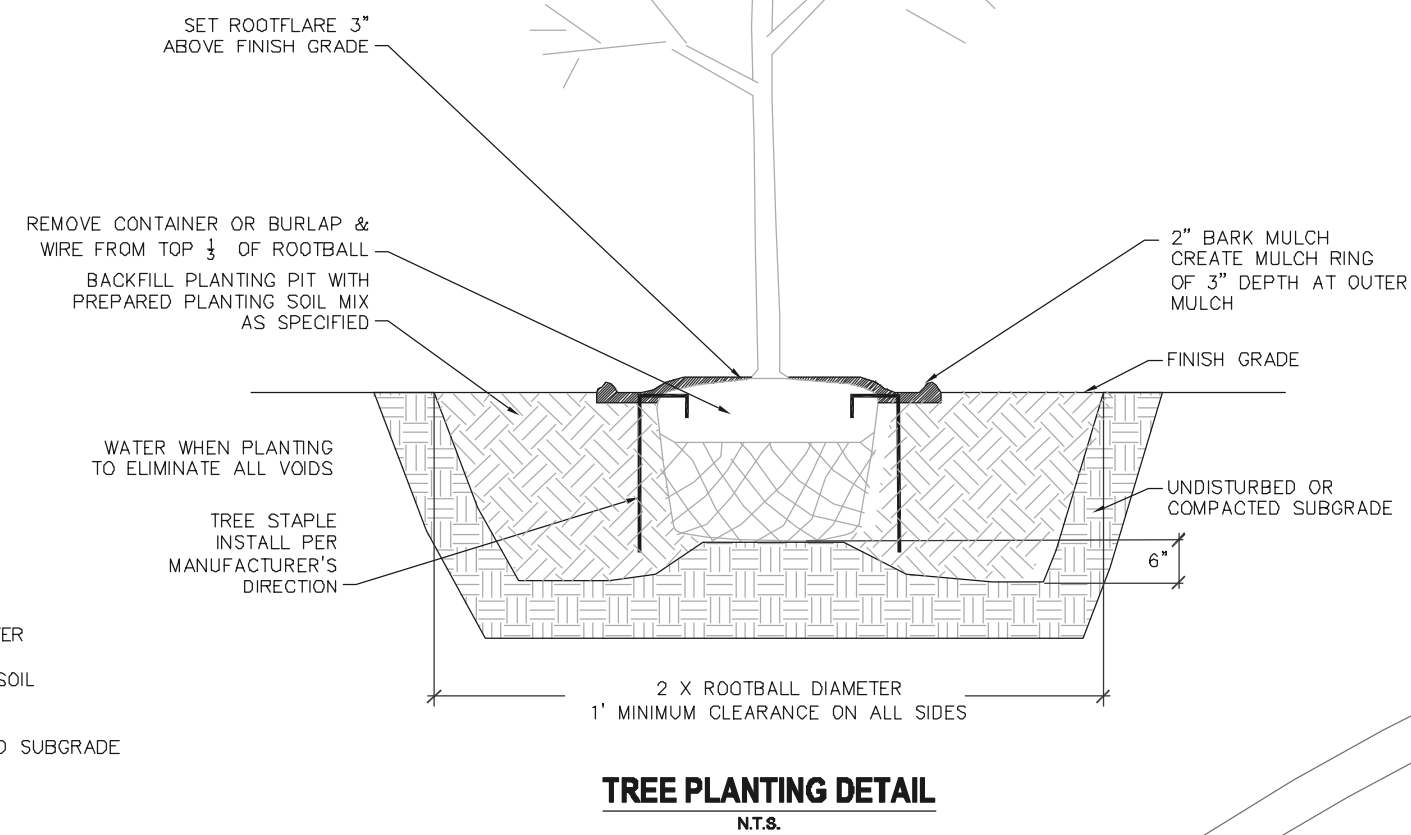
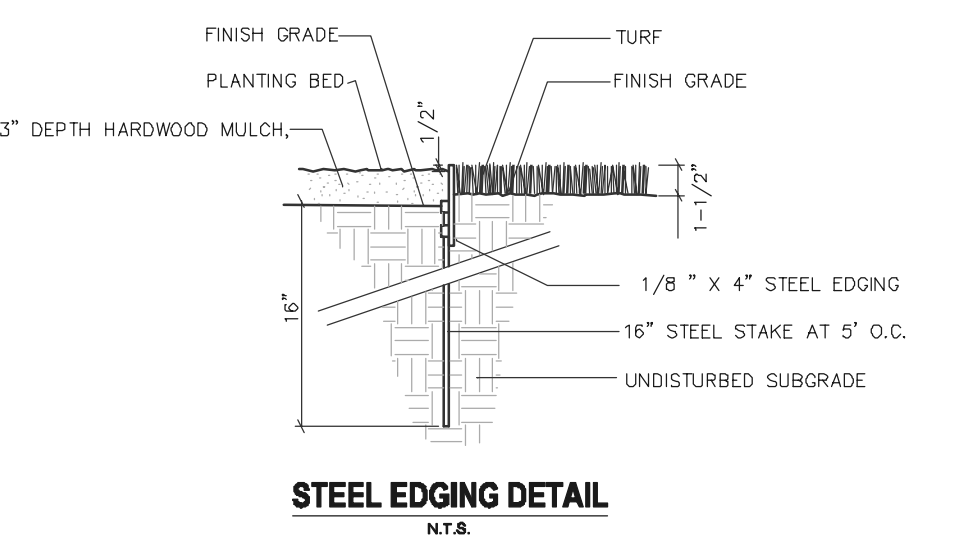
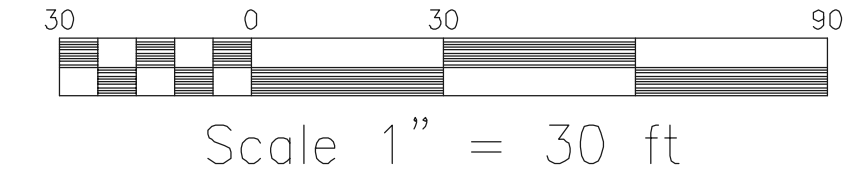
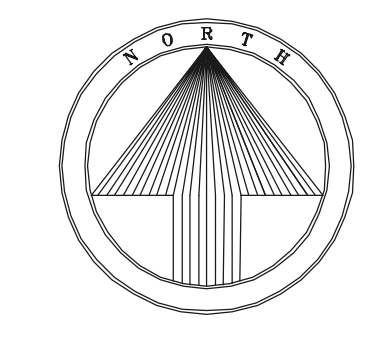


TREE LEGEND

- STREET TREES**
European Hornbeam
- SITE TREES**
Crape Myrtle
- SHRUBS**
Yaupon Holly

TREE CALCULATION
 LOTS 4 & 5 = 3.18 AC (138,520 SF)
 LANDSCAPE REQUIREMENT = 1 TREE/SHRUB PER 2,000 SF
 70 TREES/SHRUBS REQUIRED
 18 TREES (25%), 52 SHRUBS (75%)

PROVIDED = 9 STREET TREES (2 1/2" B&B)
 20 SITE TREES (2 1/2" B&B)
 60 SHRUBS (MIN. 5-GAL.)



TAGGART ARCHITECTS

600 Main Street, Suite 300
 North Little Rock, AR 72114
 Phone: 501-758-7443

www.TaggArch.com



3003 E. PARKER
 JONESBORO, AR
 72404



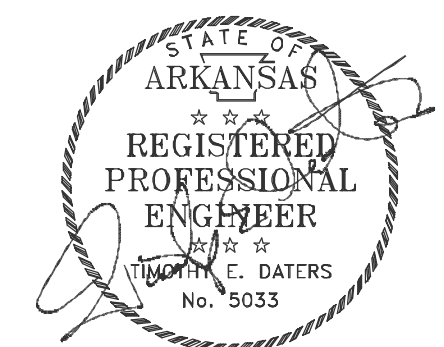
OWNER:

WINROCK AUTOMOTIVE

PROJECT INFO

BID SET

PROJECT PHASE



7-14-23

SEAL

NO.	DESCRIPTION	DATE

REVISIONS

Landscape Plan

SHEET NAME

DATE 14 JULY, 2023

PROJECT NUMBER

C14

SHEET NUMBER

WHITE-DATERS & ASSOCIATES, INC.
 CIVIL ENGINEERING, LAND PLANNING & DEVELOPMENT
 24 RAHLING CIRCLE, LITTLE ROCK, ARKANSAS 72223