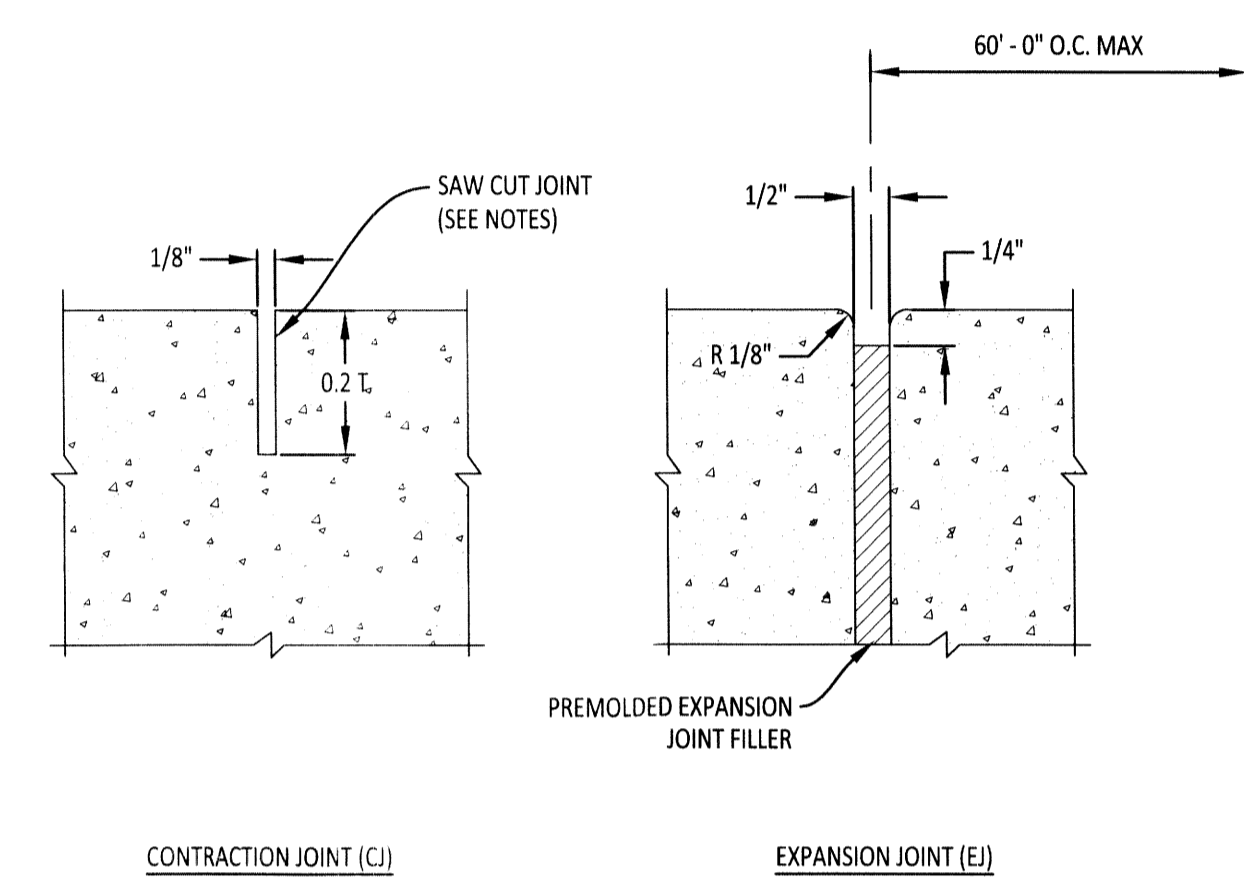
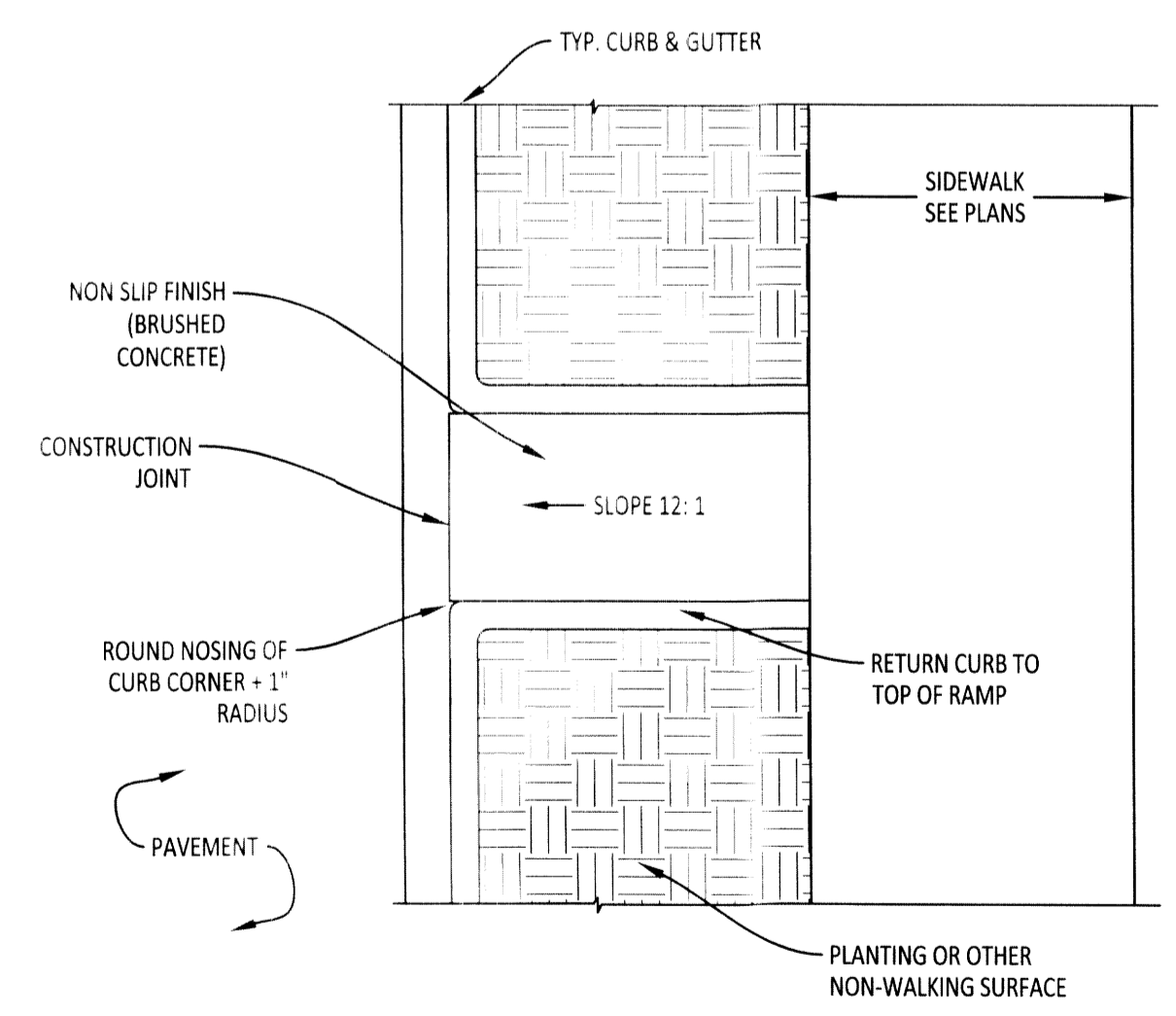


VICINITY MAP
NOT TO SCALE

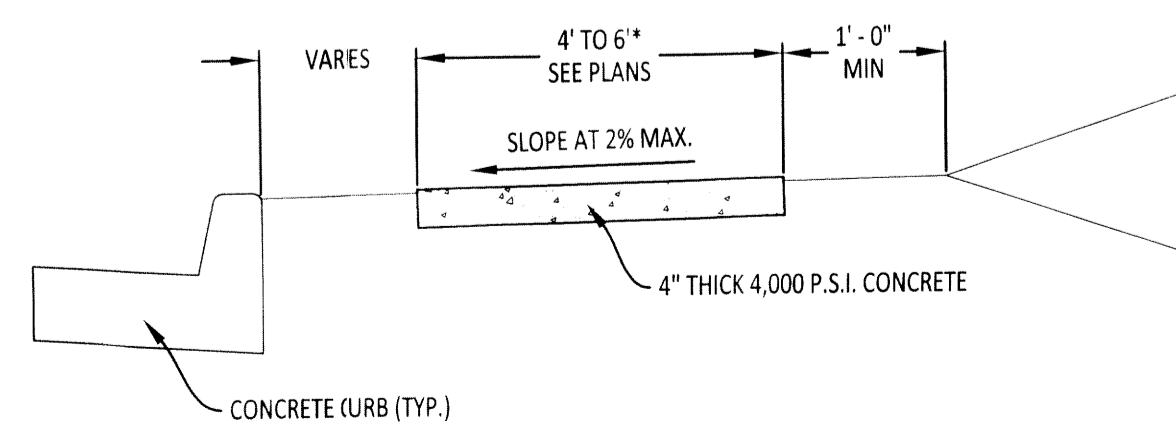


CONSTRUCTION JOINT (CJ) EXPANSION JOINT (EJ)
CONSTRUCTION JOINT DETAILS

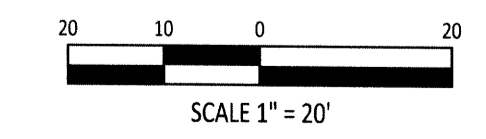
- N.T.S.
- NOTE:
1. PROVIDE EXPANSION JOINT WHERE CONCRETE ABUTTS EXISTING CONCRETE, SUCH AS CURB AND NEXT TO STRUCTURES AND DRIVEWAYS.
 2. JOINT SPACING ON CURBS TO BE MAXIMUM 15'.
 3. JOINT SPACING ON SIDEWALKS TO BE EQUAL TO THE SIDEWALK WIDTH.



TYPE "B" ACCESS RAMP
N.T.S.

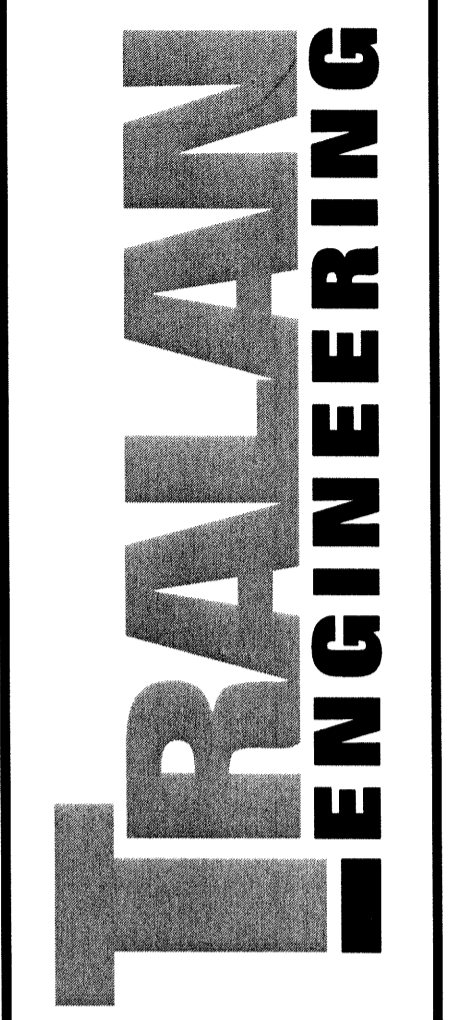


TYPICAL SIDEWALK SECTION
N.T.S.



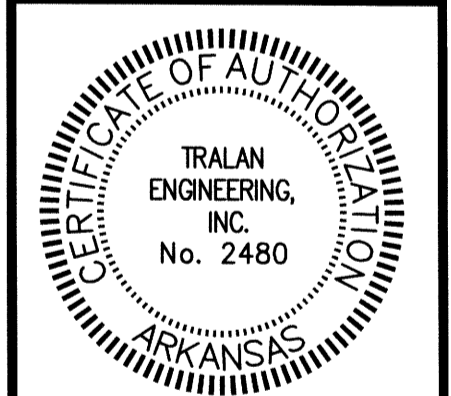
THIS PLAN IS BASED UPON CONSTRUCTION DOCUMENTS PREPARED BY OZARK CIVIL ENGINEERING, INC DATE 10/19/2016. SEE OZARK PLANS FOR ADDITIONAL DETAILS AND SPECIFICATIONS.

COMPANY INFO:
2916 WOOD STREET
JONESBORO, AR 72404
PH: 501-203-9959
WWW.TRALANENG.COM



PROJECT:
THE SHOPPES AT BROWNS VILLAGE

CLIENT:
LAYMAN



REVISIONS		
DATE	BY	DESCRIPTION

DRAWING INFO.	
DRAWN BY:	MAB
DATE:	10/19/2020
SCALE:	1" = 20'
JOB NO.:	20-052
CAD NO.:	

SITE DIMENSION PLAN

SHEET NUMBER:
3 of **4**