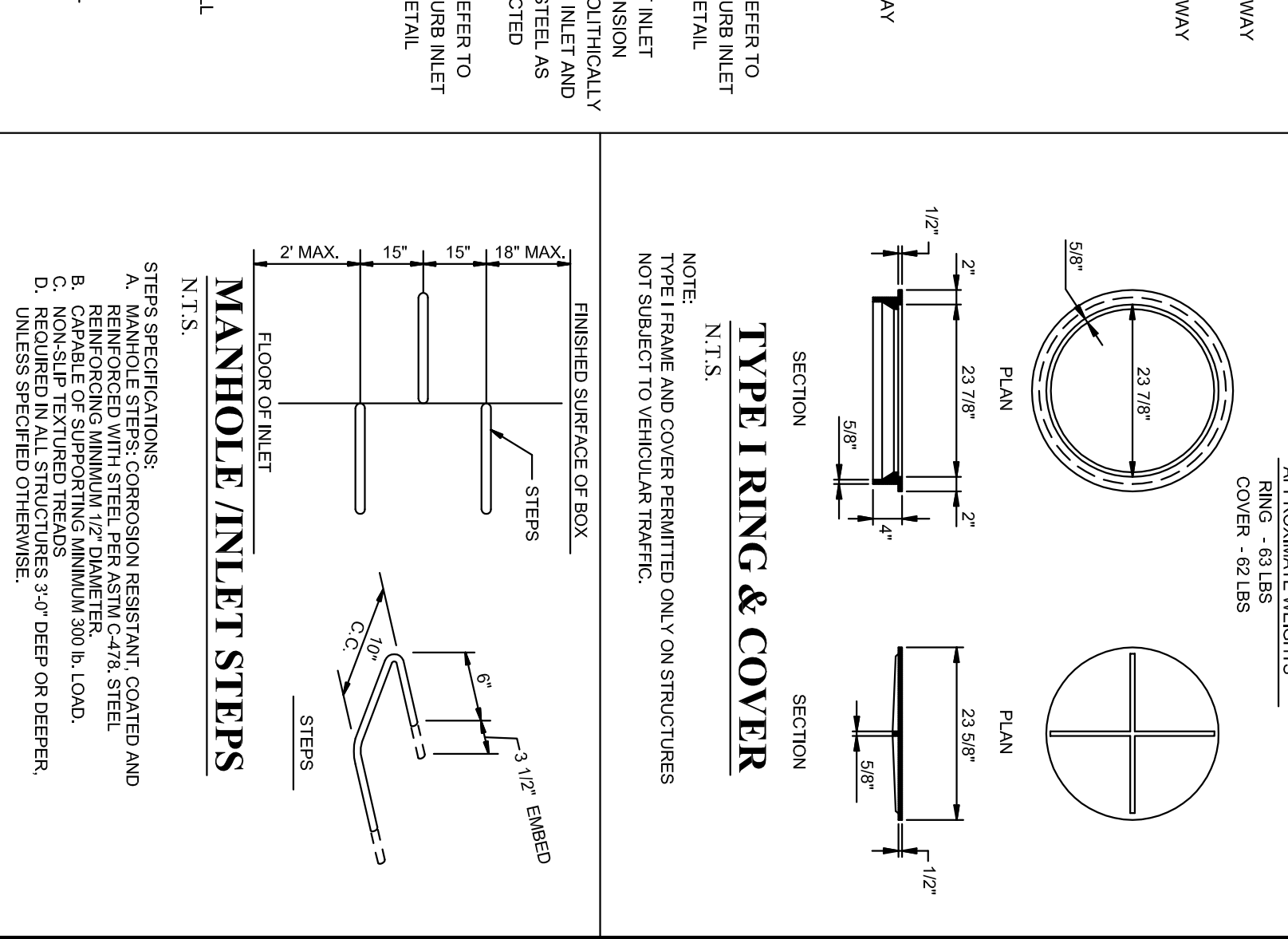
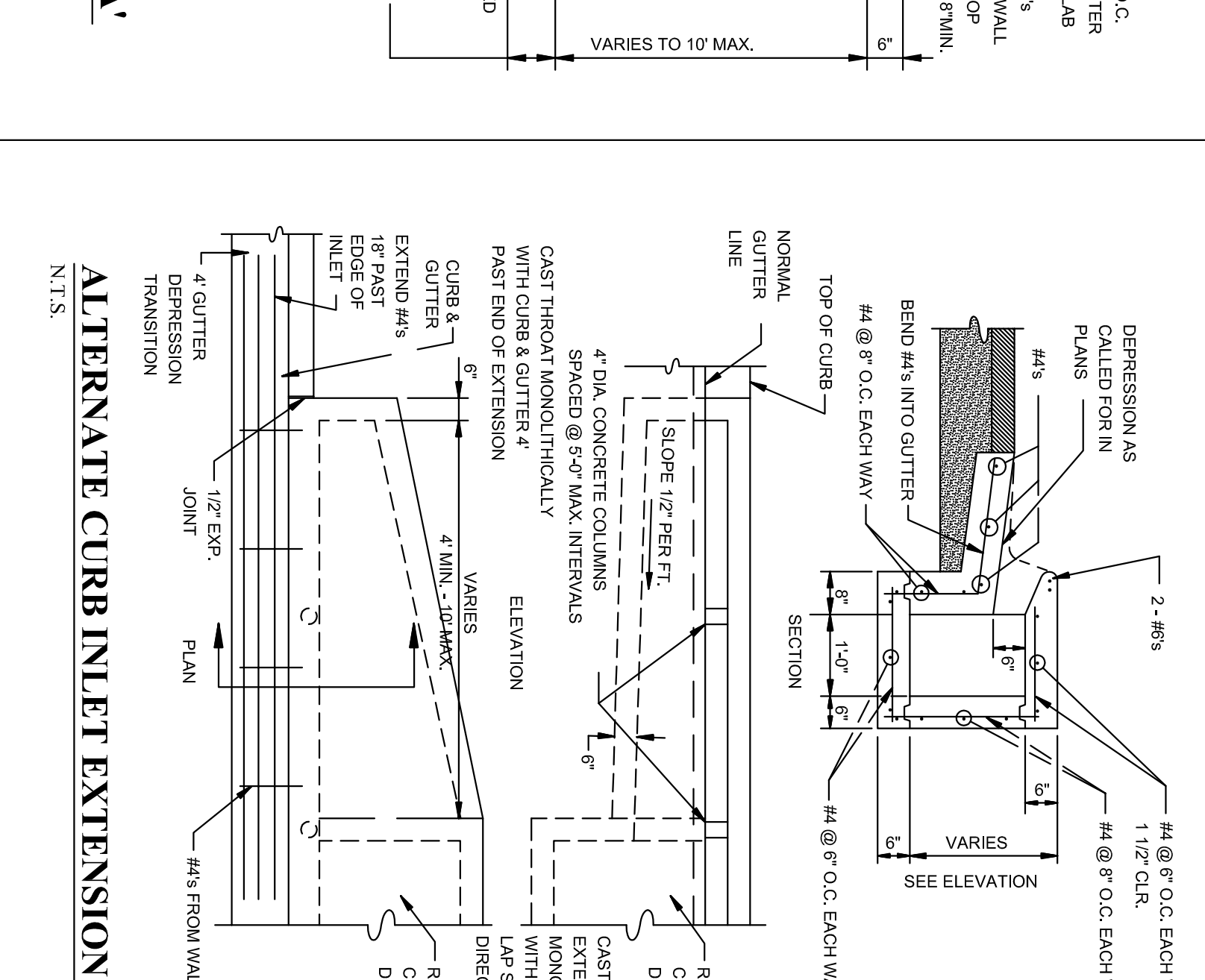
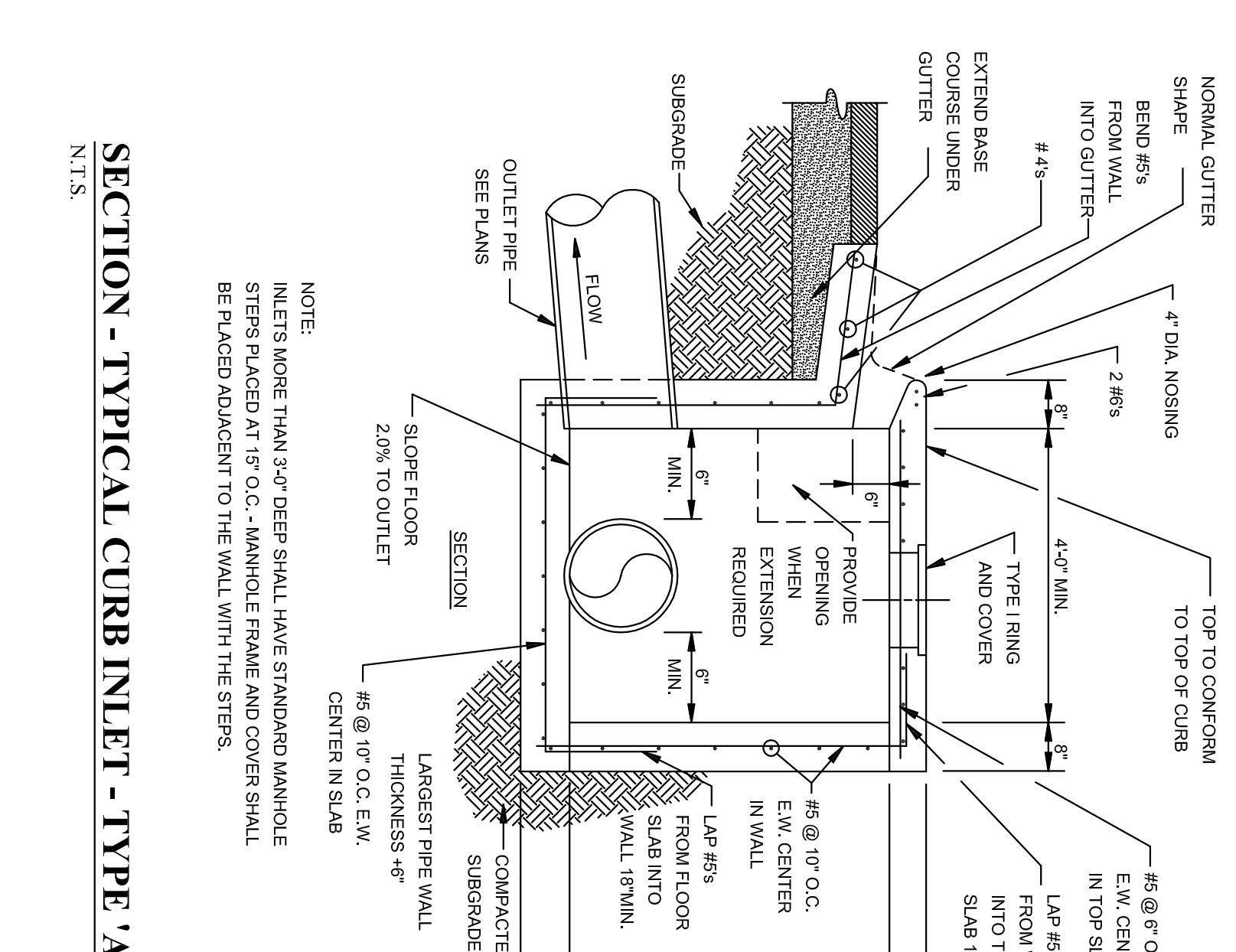
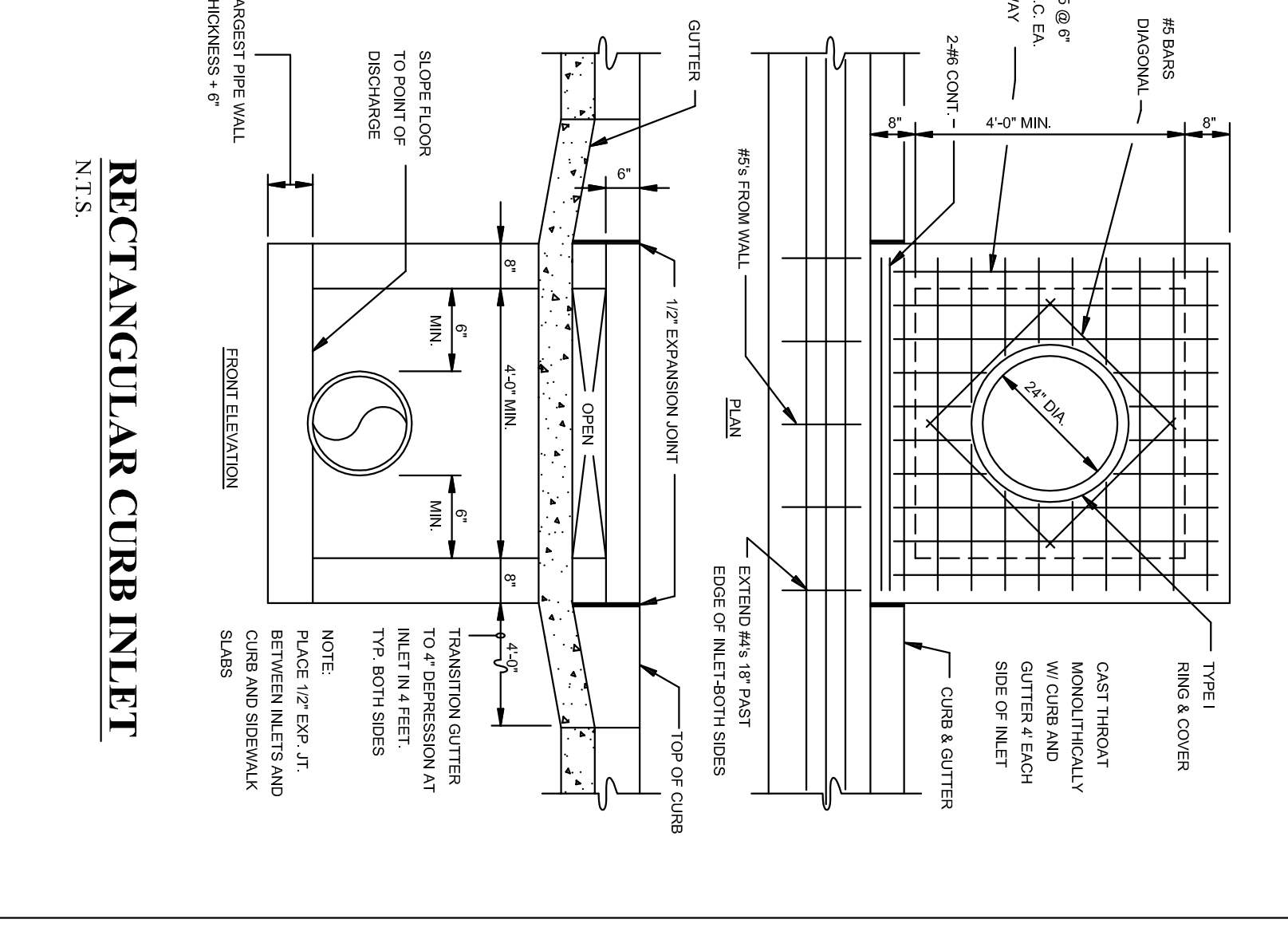
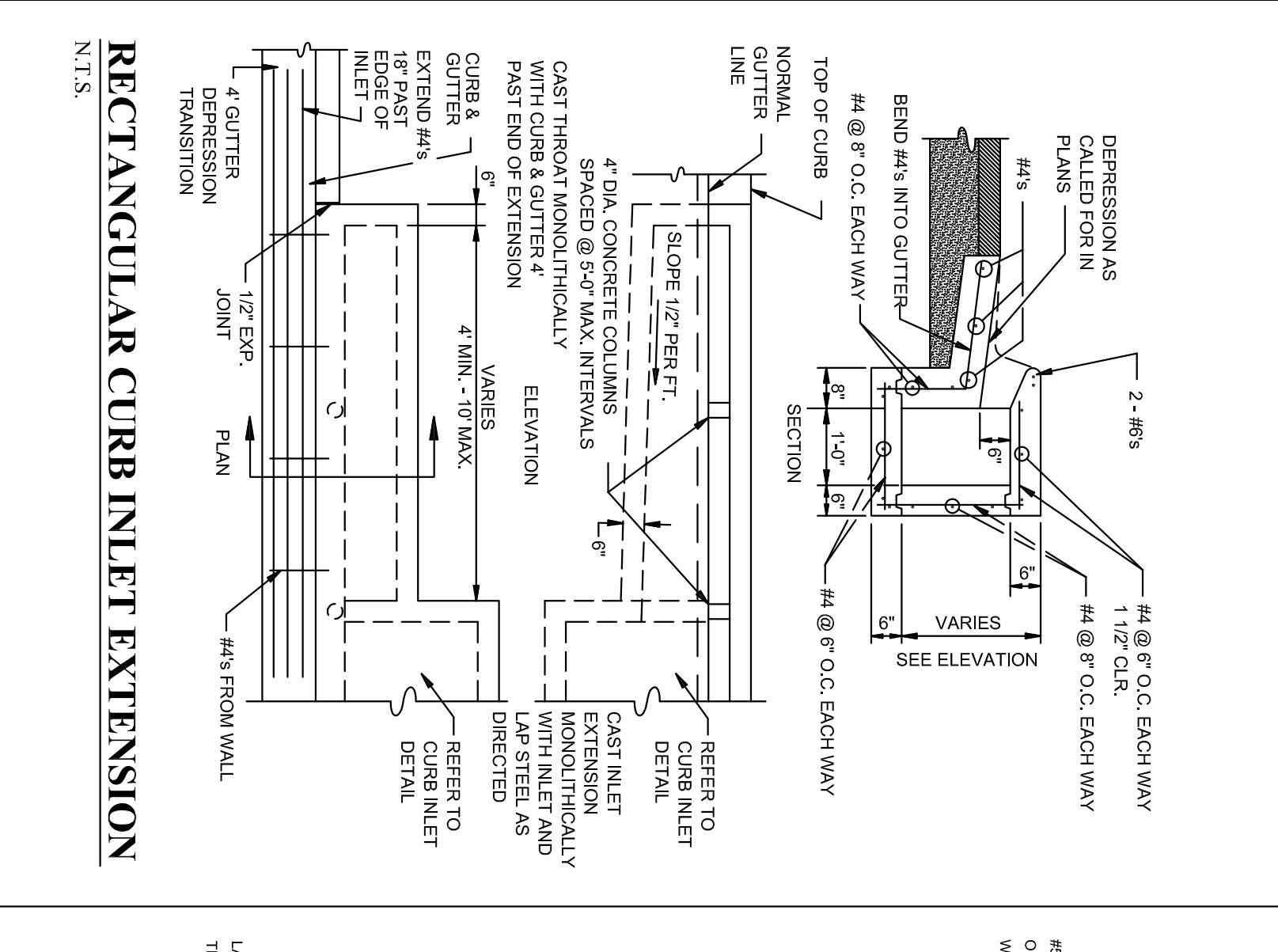
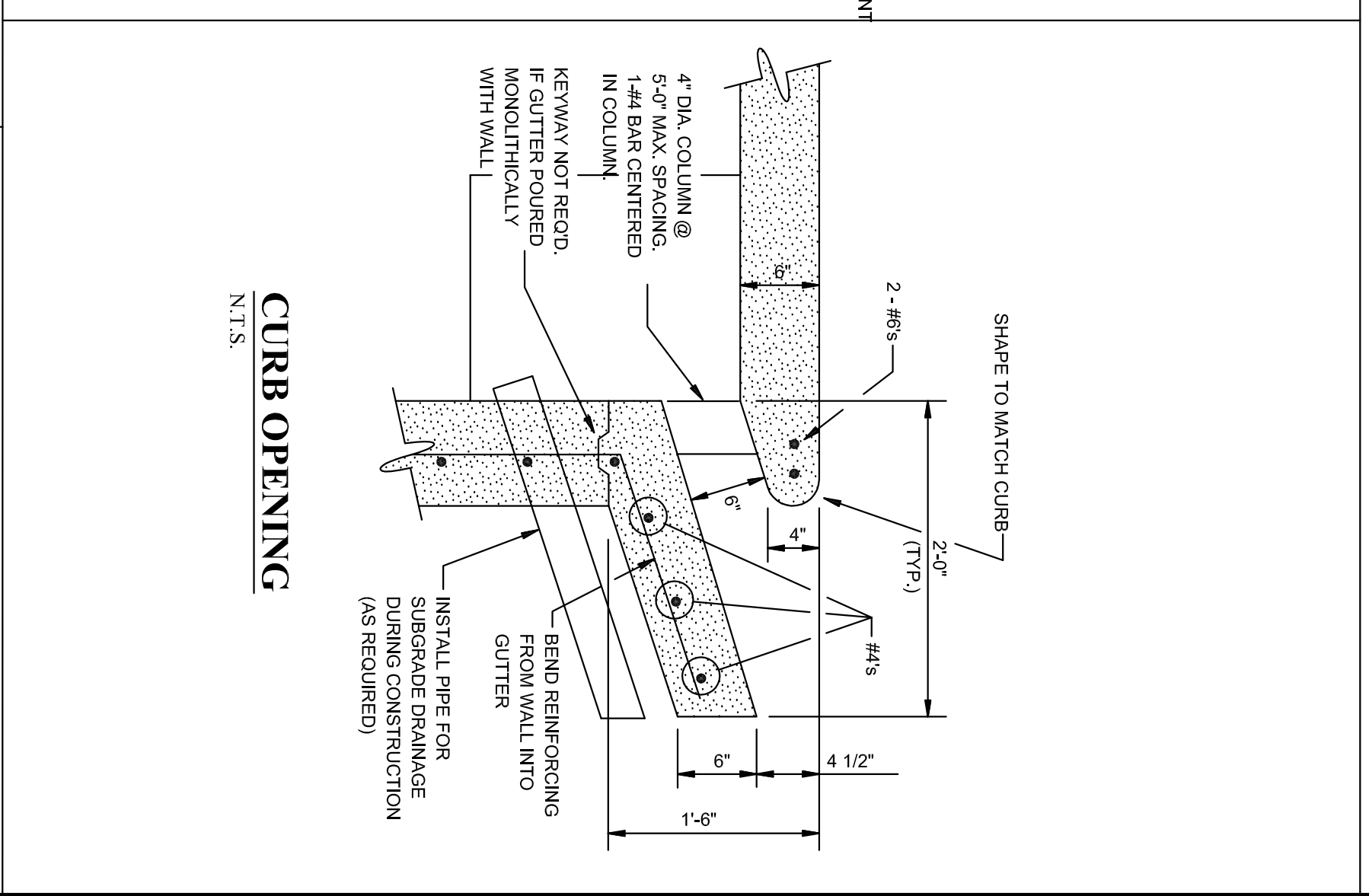
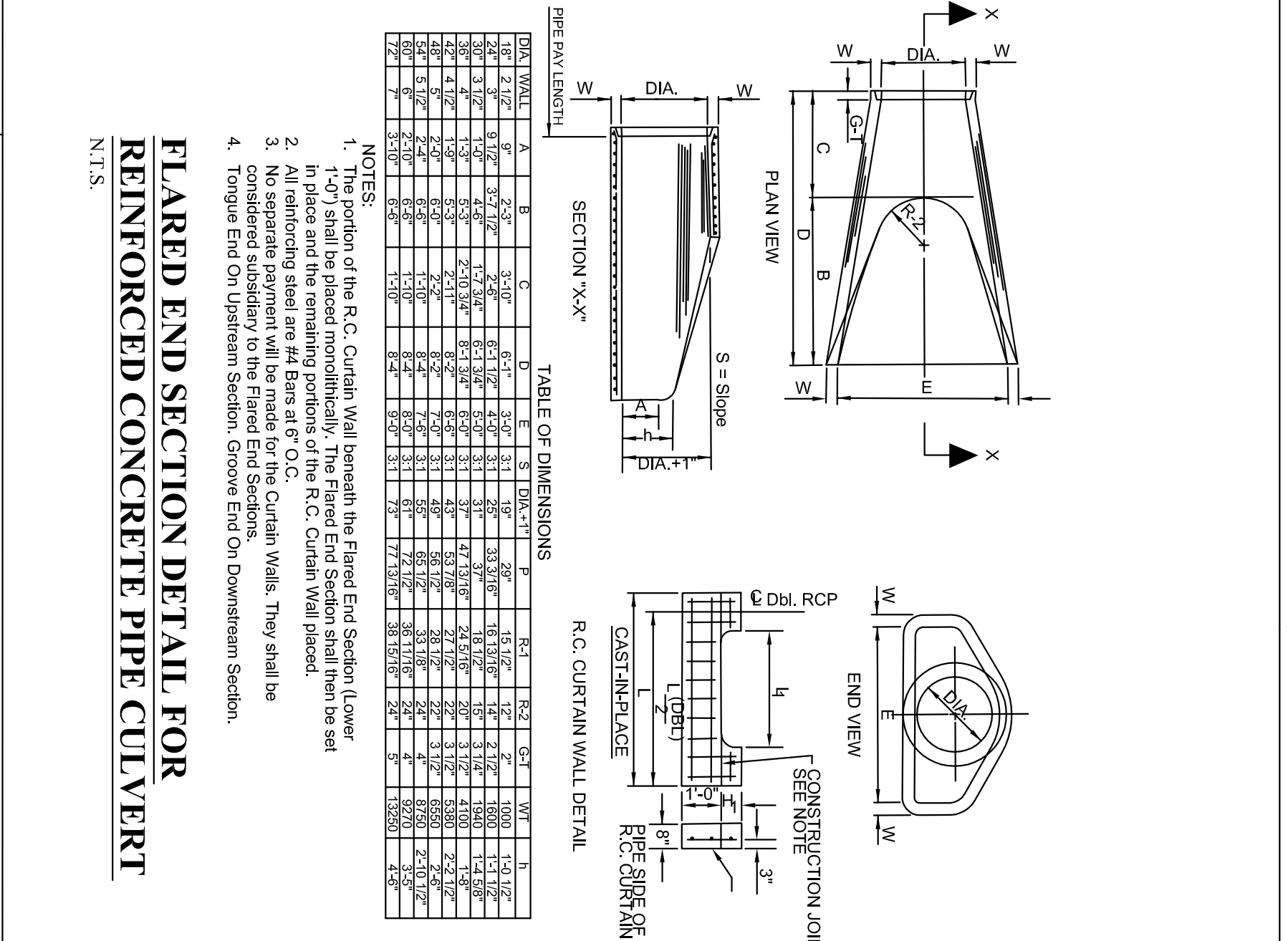
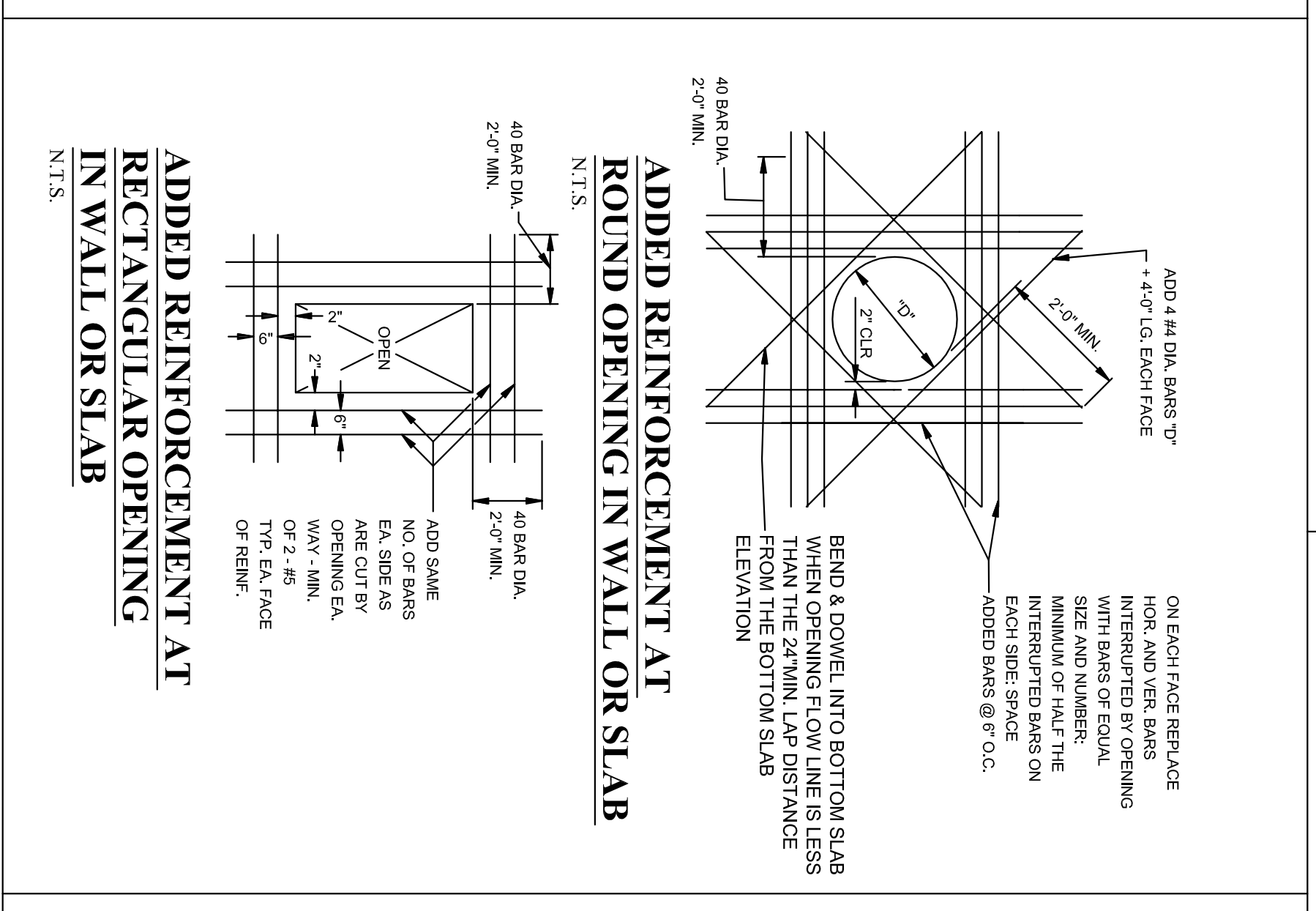
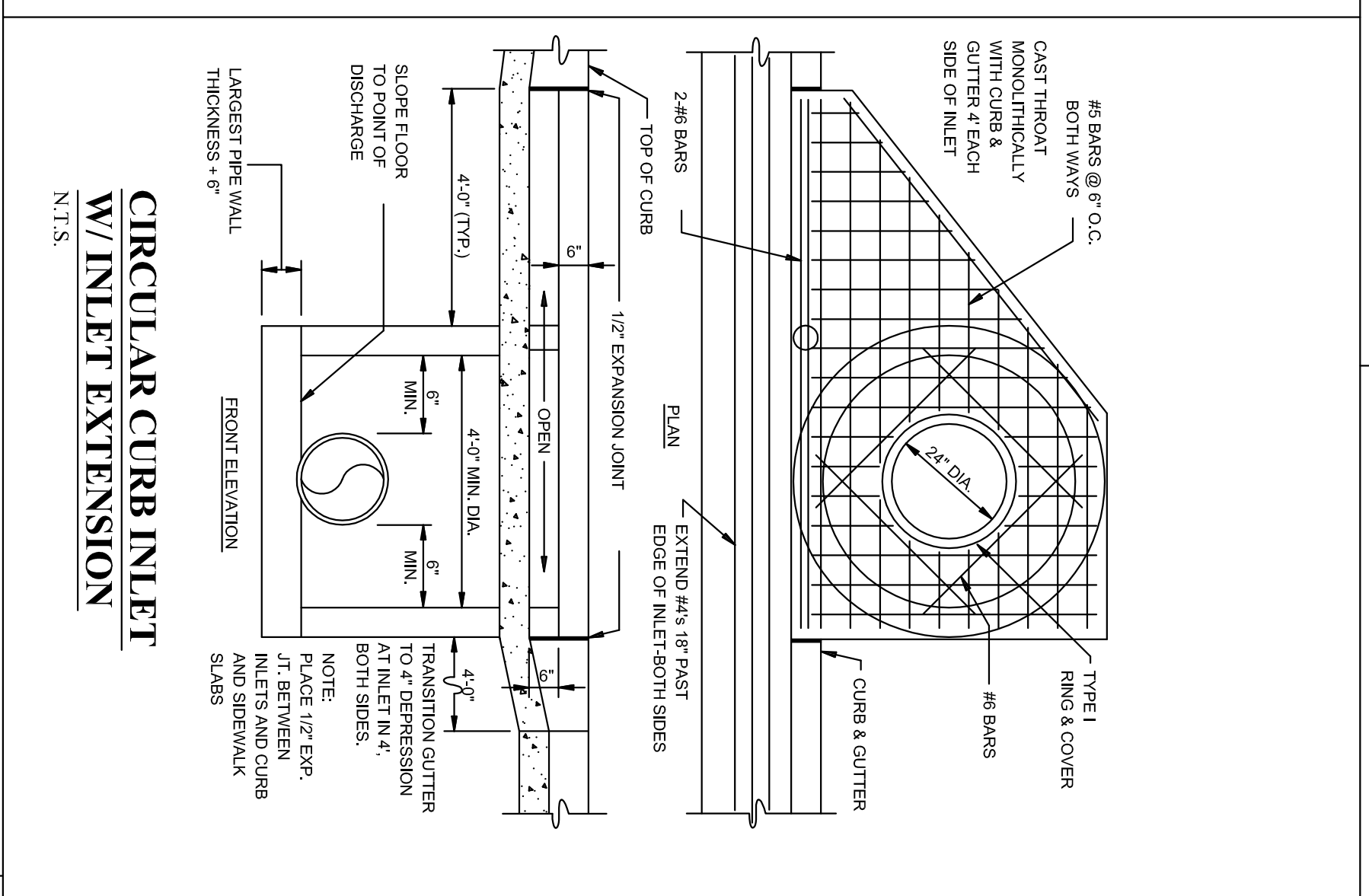
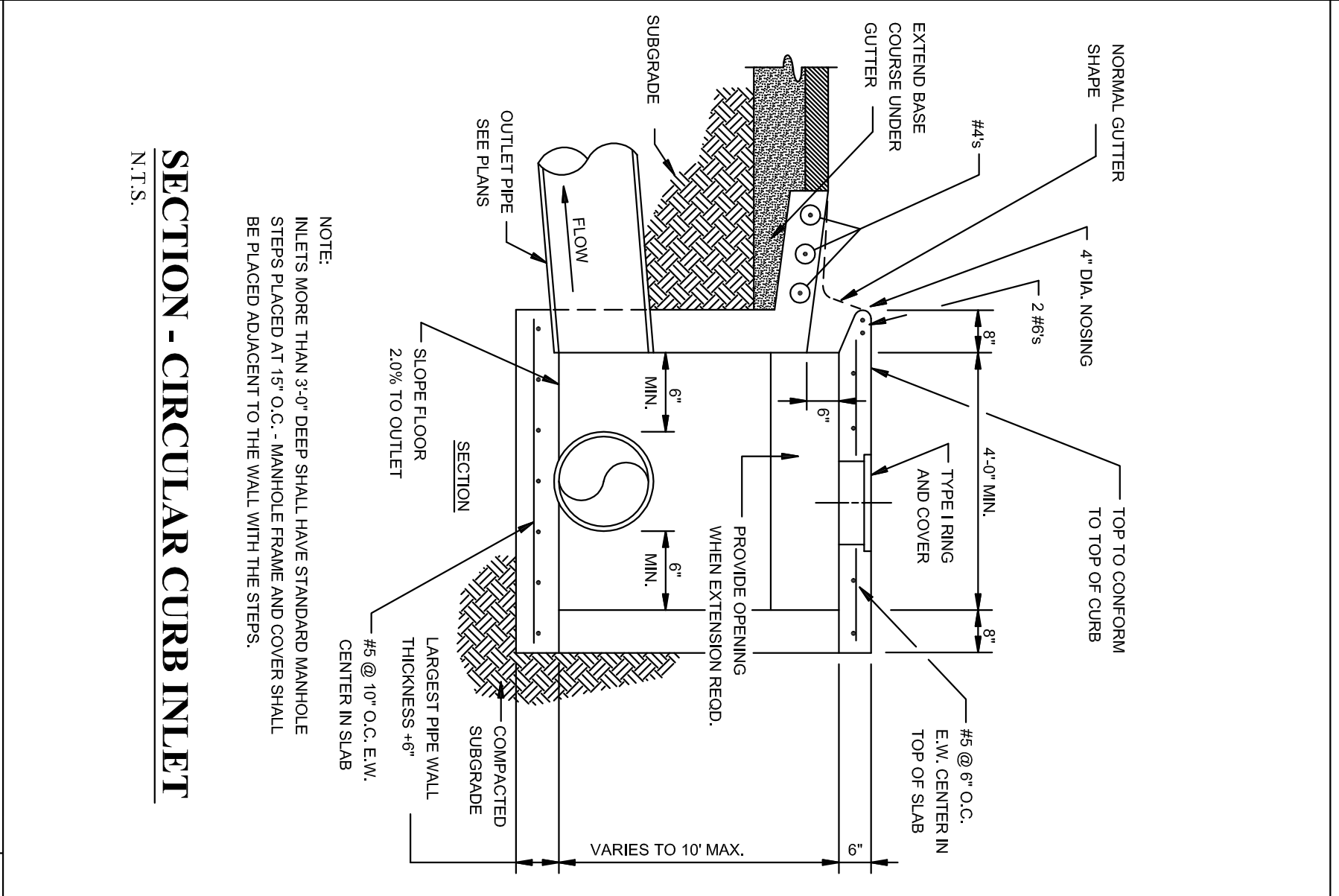


6" TYPICAL UNLESS OTHERWISE NOTED.
 TYPE 'A, B, C' (BARRIER) RESIDENTIAL & COLLECTOR STREETS
 TYPE 'A, B, C' (BARRIER) ARTERIAL STREETS



MANHOLE / INLET STEPS
 STEPS SPECIFICATIONS:
 A. MANHOLE STEPS: CORROSION RESISTANT, COATED AND REINFORCED WITH STEEL. MIN. 2x8 STEEL.
 B. CAPABLE OF SUPPORTING MINIMUM 300 LB. LOAD.
 C. REQUIRED IN ALL STRUCTURES 3'-0" DEEP OR DEEPER, UNLESS SPECIFIED OTHERWISE.

CARLOS WOOD, P.E.
 ENGINEERING CONSULTANT
 122 CR 375
 BONO, AR 72416
 PHONE: (870) 972-8335
 EMAIL: WOODENGR@SBCGLOBAL.NET
 WEBSITE: WWW.WOODENGR.COM

DATE: 6/24/13
 REV:
 DRAWN BY: BCW

THE VILLAS AT SAGE PHASE II
 JONESBORO, AR
 TYPICAL STREET DETAILS

DET-1
 STATE OF ARKANSAS
 REGISTERED PROFESSIONAL ENGINEER
 Carlos Wood, P.E.
 No. 062027