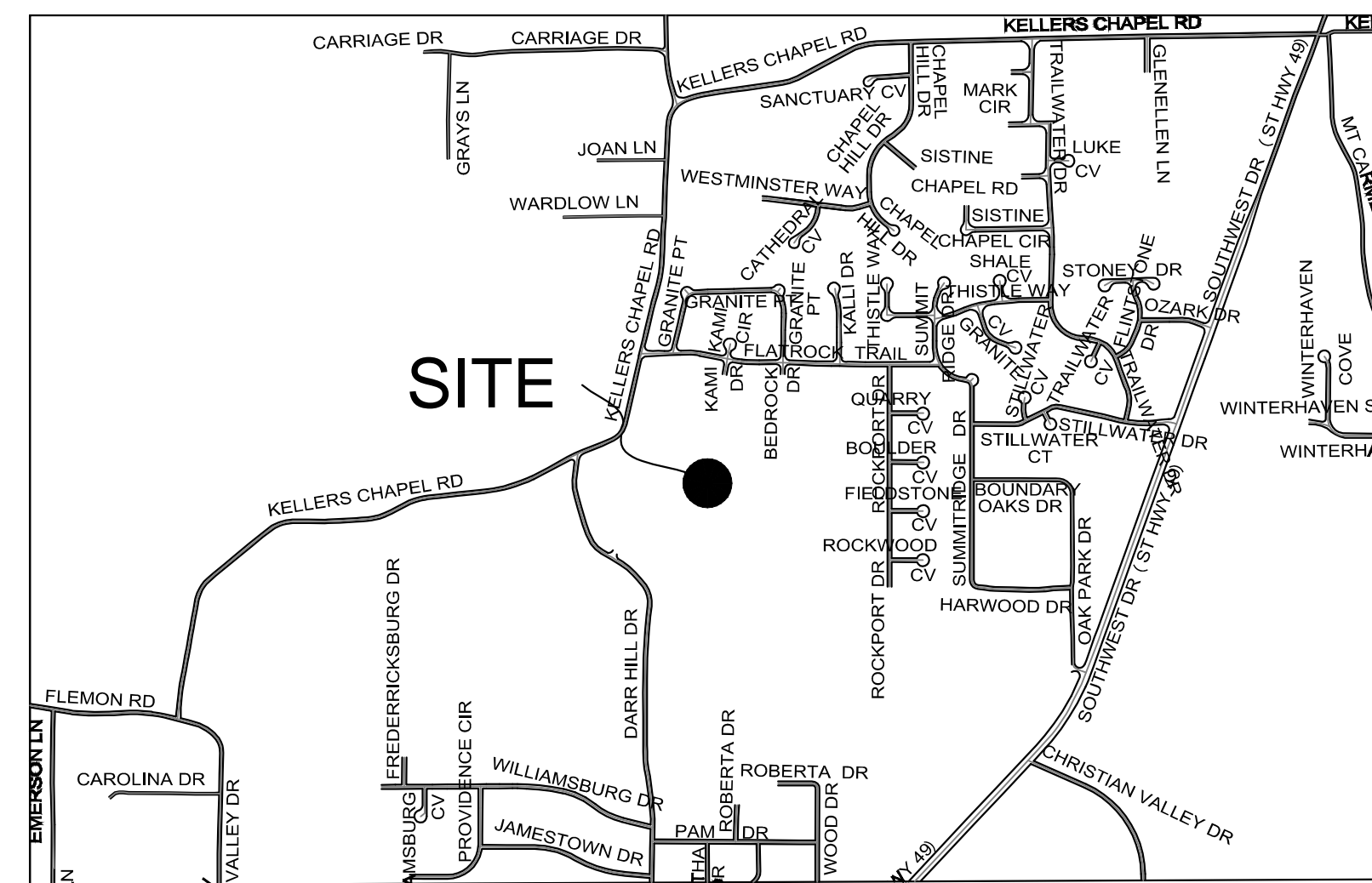


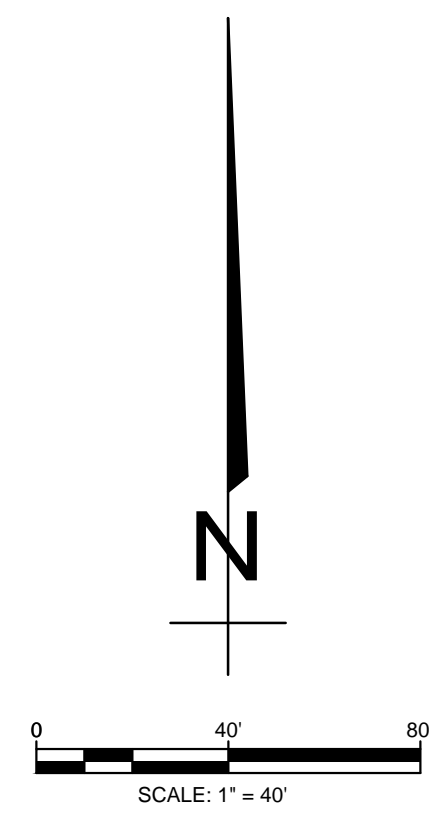
VICINITY MAP



SETBACK NOTES:
 R-1 ZONING
 25' FRONT SETBACK
 7.5' SIDE YARD SETBACK
 25' REAR SETBACK

LEGEND

- FOUND CORNER AS NOTED
- SET 1/2" REBAR W/ CAP
- FD COTTON PICKER SPINDLE
- HIGHWAY RIGHT OF WAY MARKER
- FOUND REBAR
- △ CALCULATED CORNER
- — — FENCE LINE
- — — ELECTRIC
- SET PK NAIL
- ⊕ POWER POLE



SURVEYOR'S NOTES:

1. BEARINGS ARE STATE PLANE GRID BEARINGS (NAD 83 DATUM) AS PER GPS OBSERVATION ON SITE DURING SURVEY AND ARE TO BE USED TO DEFINE THE GENERAL DIRECTION AND TRUE ANGLE AT THE INTERSECTION OF THE PROPERTY AND LAND LINES.
2. PROPERTY IS SUBJECT TO UTILITY SERVICES AND UNDERGROUND UTILITY LINES NOT LOCATED.

OWNER CERTIFICATION:

WE HEREBY CERTIFY THAT WE THE OWNERS OF THE PROPERTY SHOWN AND DESCRIBED HEREON AND THAT WE ADOPT THE PLAN OF THE SUBDIVISION AND DEDICATED PERPETUAL USE OF ALL STREETS AND EASEMENTS AS NOTED.

SURVEYOR'S CERTIFICATION

THIS IS TO CERTIFY I HAVE ON THIS DATE SURVEYED THE ABOVE DESCRIBED PROPERTY IN ACCORDANCE WITH MONUMENTS FOUND AND THIS PLAT CONFORMS TO THAT SURVEYED.

H&S HIME PROFESSIONAL SURVEYING SERVICES
 POB No. 353
 BROOKLAND, ARKANSAS 72417

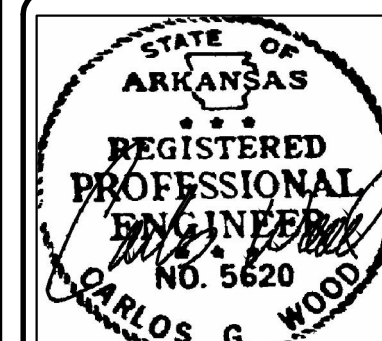
**JUDE'S CROSSING PHASE 5
 JONESBORO, ARKANSAS
 PLAT - NOT FOR RECORDING**

DATE: 7/6/2016
 REV: 7/17/2016
 REVIEWED BY: H. HIME
 DRAWN BY: B. WOOD

**H&S HIME PROFESSIONAL
 SURVEYING SERVICES**

PHONE: 870-972-1288
 FAX: 870-972-1011
 E-MAIL: hshime_batch@yahoo.com

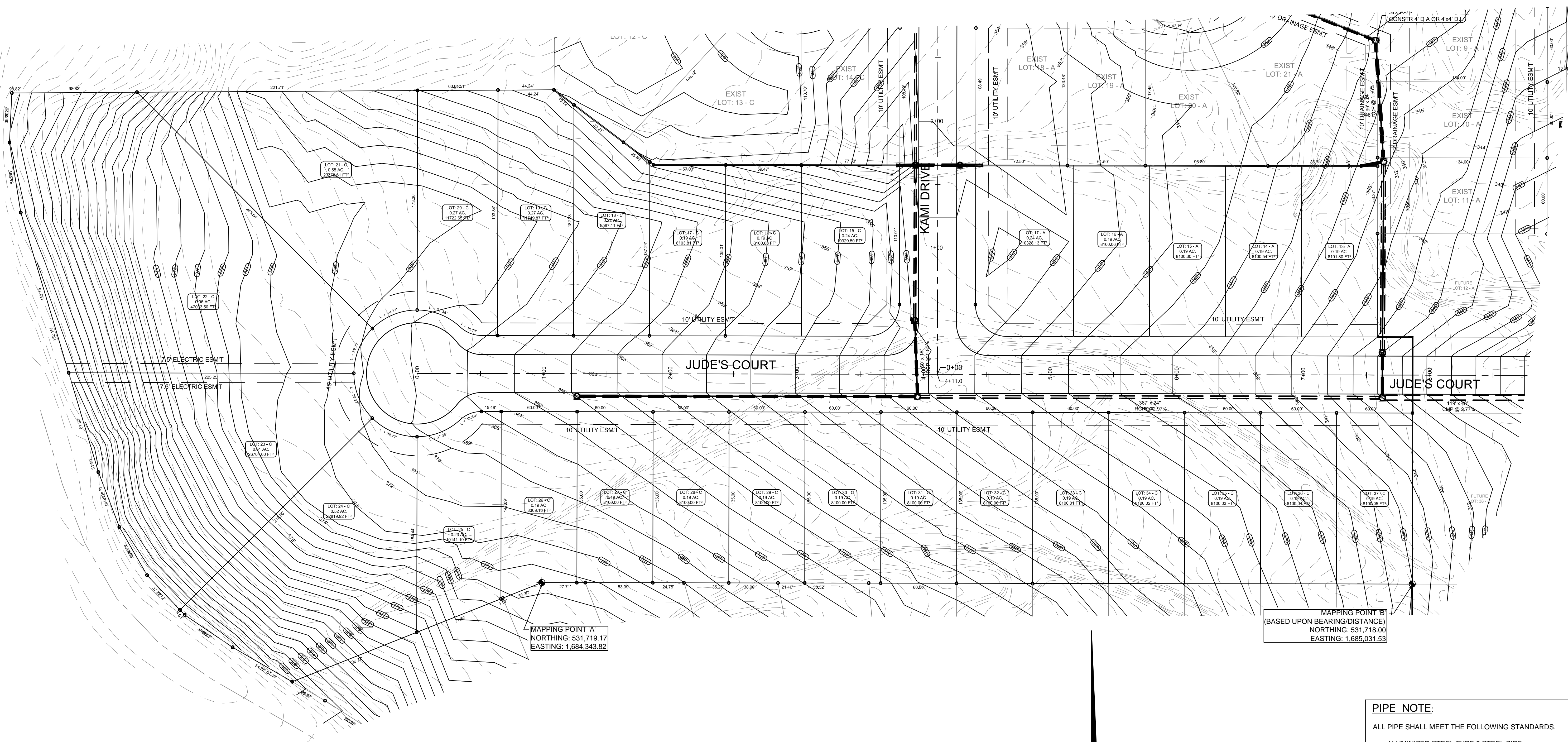
POB NO. 353
 BROOKLAND, ARKANSAS 72417



JUDE'S CROSSING PHASE V

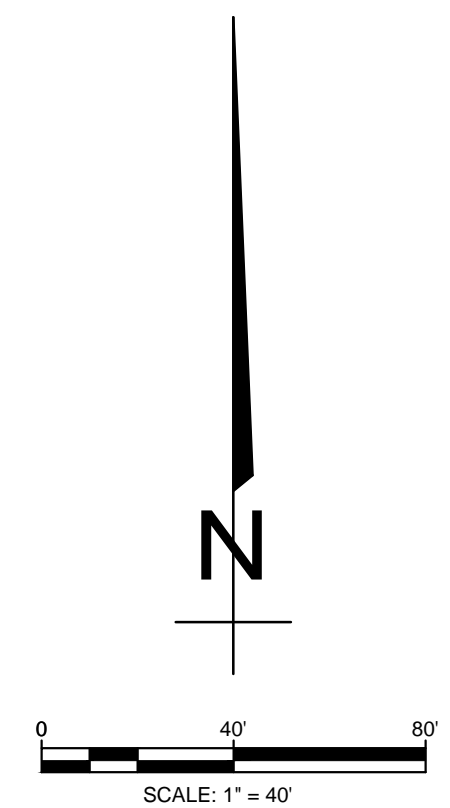
JONESBORO, AR

TOPOGRAPHY &
DRAINAGE PLAN



MAPPING POINT 'A'
NORTHING: 531,719.17
EASTING: 1,684,343.82

MAPPING POINT 'B'
(BASED UPON BEARING/DISTANCE)
NORTHING: 531,718.00
EASTING: 1,685,031.53



LEGEND	
	CURB
	EXISTING CONTOUR
	PROPOSED CONTOUR
	STORM DRAIN INLET
	STORM DRAIN PIPE
	BENCHMARK

PIPE NOTE:

ALL PIPE SHALL MEET THE FOLLOWING STANDARDS.

- ALUMINIZED STEEL TYPE 2 STEEL PIPE
- ASTM A-929
- ASTM A-760
- RCP CLASS III OR CLASS IV
- ASTM C-76
- ASTM C-508
- ASTM C-507

NOTE:

DEVELOPER SHALL OBTAIN GRADING PERMIT FROM THE CITY OF JONESBORO ENGINEERING DEPARTMENT PRIOR TO COMMENCING EARTHWORK AND/OR CLEARING OPERATIONS.

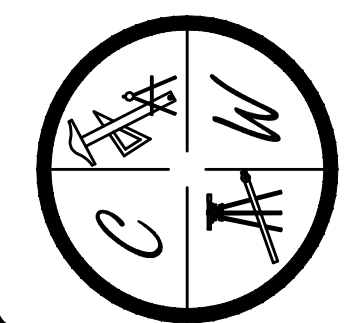
DEVELOPER SHALL OBTAIN REQUIRED ADEQ PERMIT PRIOR TO COMMENCING WORK ON THE SITE. PREPARE A SWPP PLAN, AND DISPLAY THEM FOR PUBLIC ACCESS AT THE SITE.

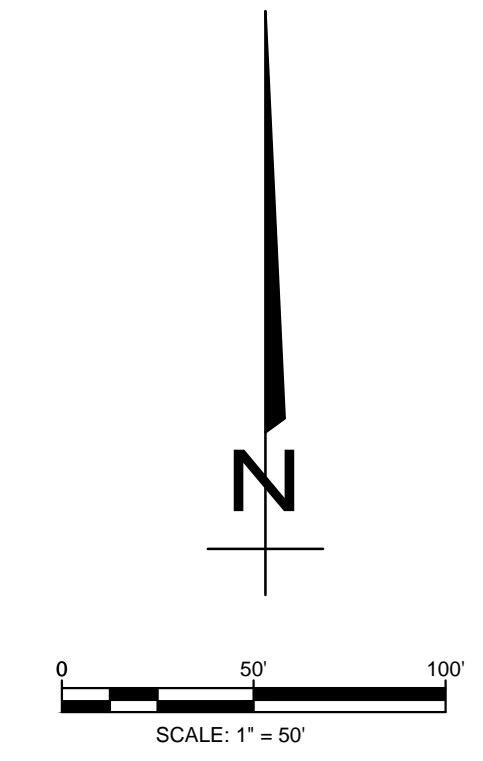
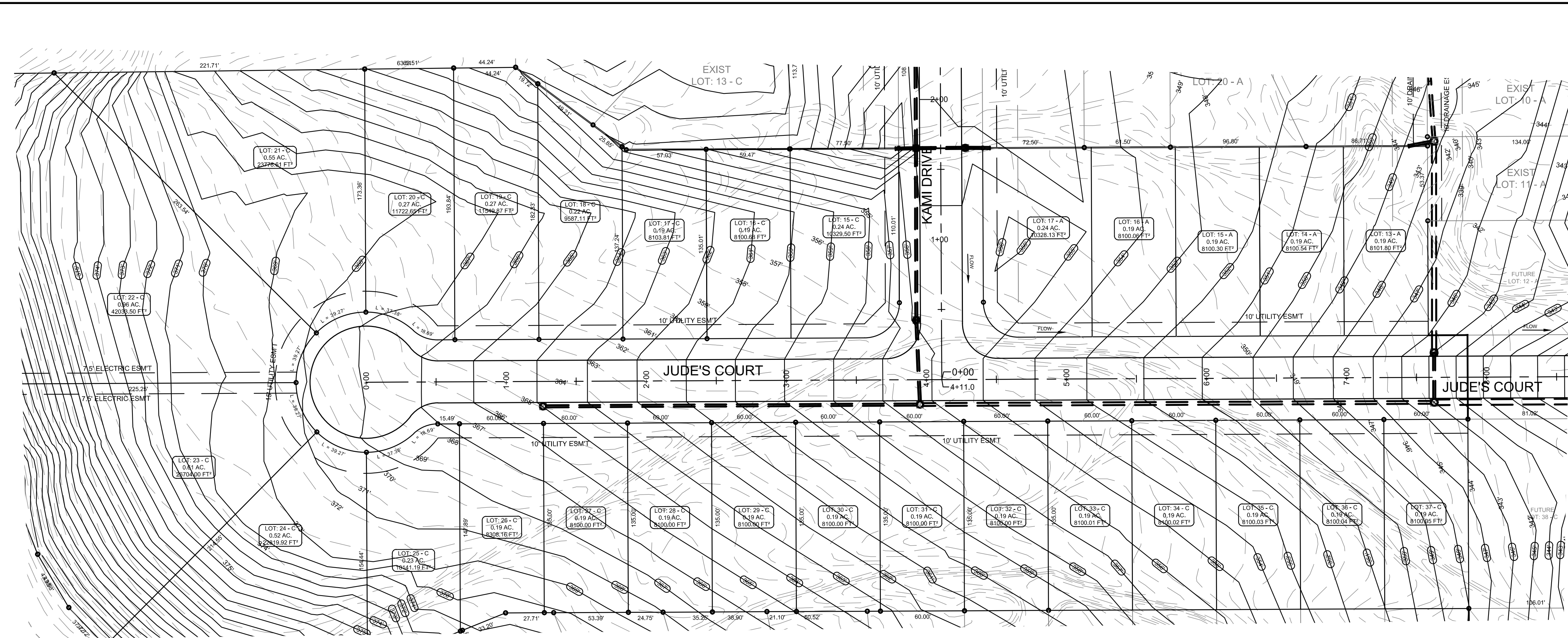
SURVEY CONTROL REFERENCE MARKS:

JONESBORO MONUMENT # 89
JONESBORO MONUMENT # 43
VERTICAL CONTROL IS NAVD 88
HORIZONTAL CONTROL IS NAD 83

DATE: 7/19/16
REV:
DRAWN BY: BGW

CARLOS WOOD, P.E.
ENGINEERING CONSULTANT
148 CR 375
BONO, AR 72416
PHONE/FAX: (870) 972-8335
EMAIL: WOODENGR@SBCGLOBAL.NET
WEBSITE: WWW.WOODENGR.COM



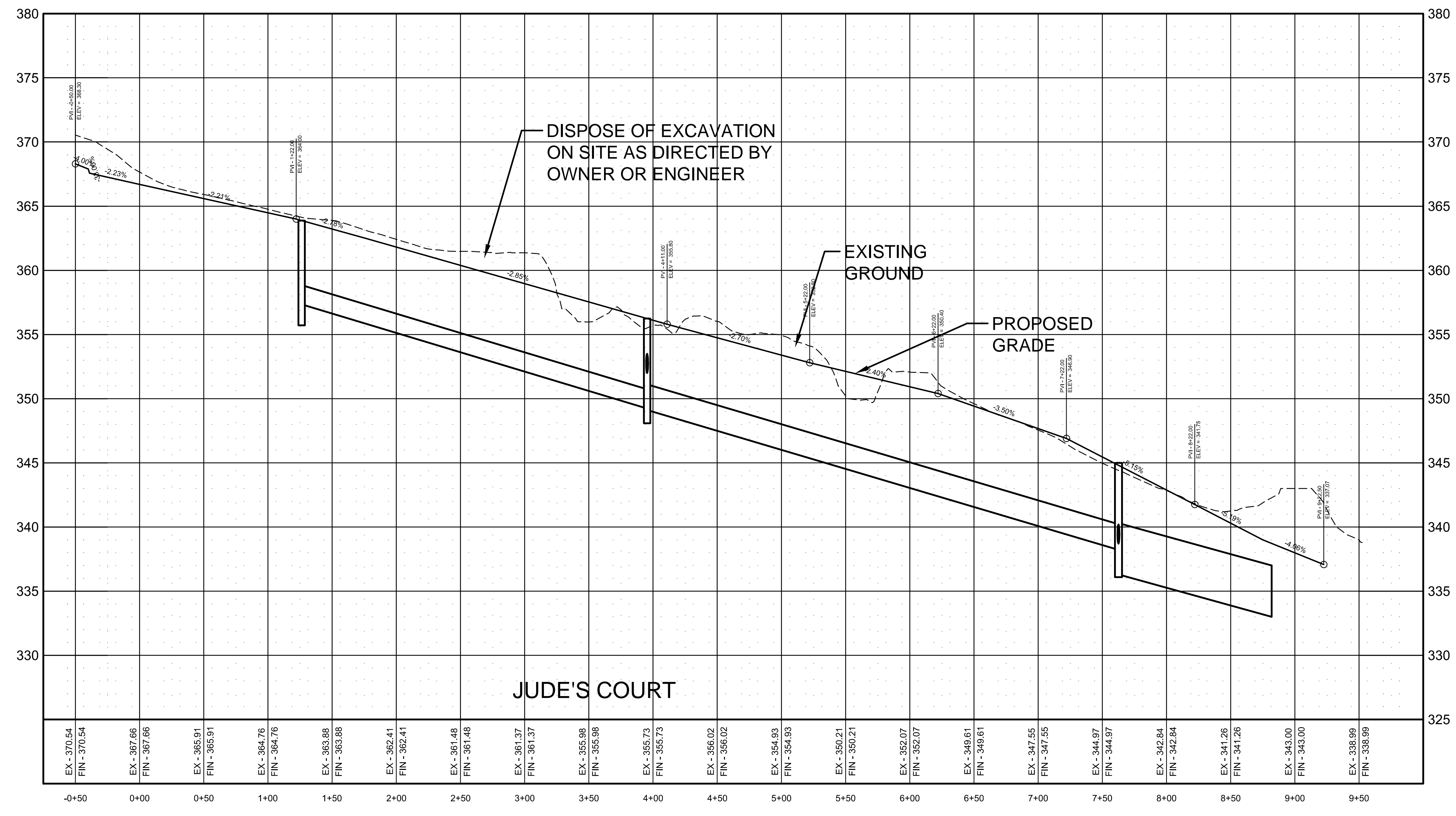


LEGEND

- CURB
- 25' — EXISTING CONTOUR
- 25' — PROPOSED CONTOUR
- △ WATER METER
- ⊕ FIRE HYDRANT
- ⊕ BLOW-OFF ASSEMBLY
- ⊕ GATE VALVE
- WL — WATER LINE
- SS — SANITARY SEWER LINE
- ⊕ SANITARY SEWER MANHOLE
- ⊕ STORM DRAIN INLET
- — — STORM DRAIN PIPE

EX = EXISTING GROUND ELEVATION
FIN = FINISHED ELEVATION AT CENTERLINE

PROFILE SCALE:
HORIZONTAL: 1" = 50'
VERTICAL: 1" = 5'



STR-2

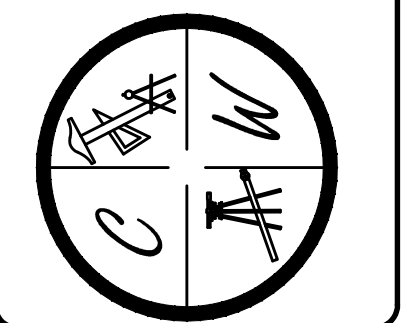


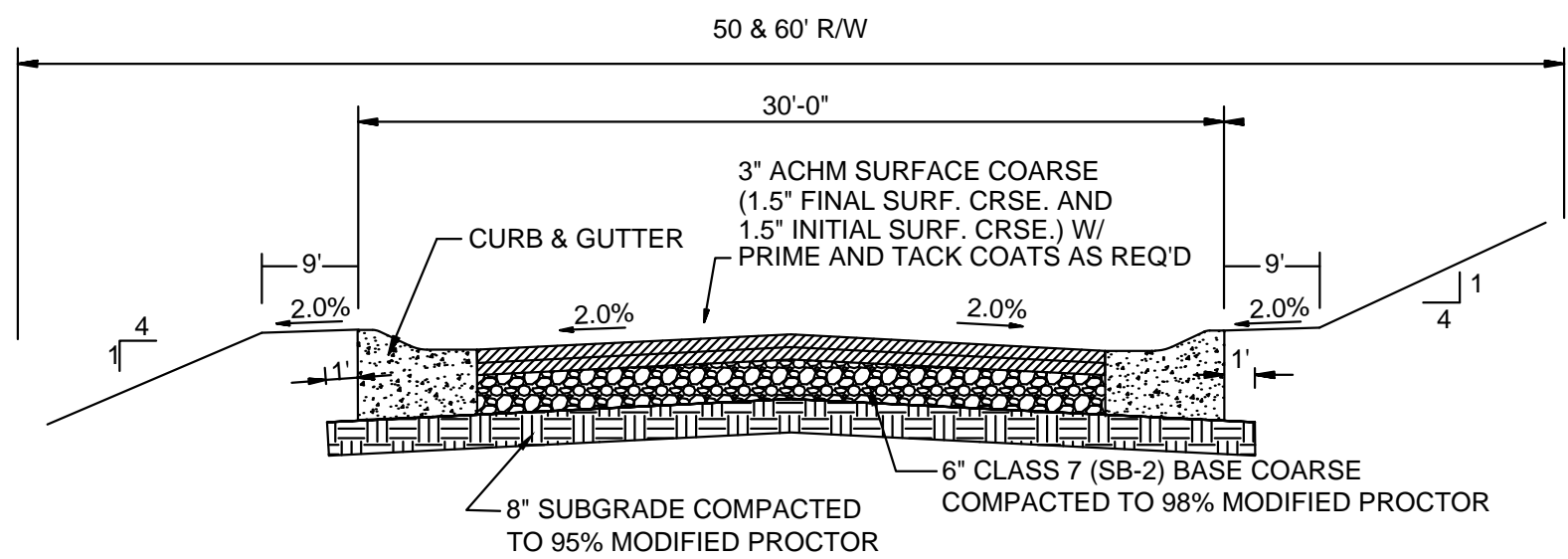
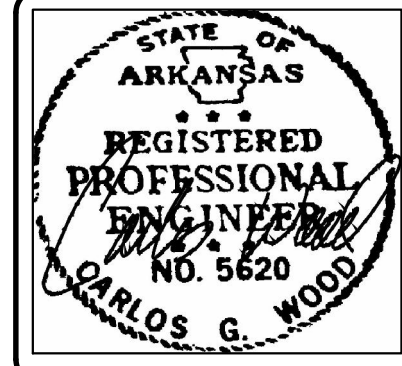
JUDE'S CROSSING PHASE V
JONESBORO, AR

JUDE'S COURT
STREET PALN & PROFILE

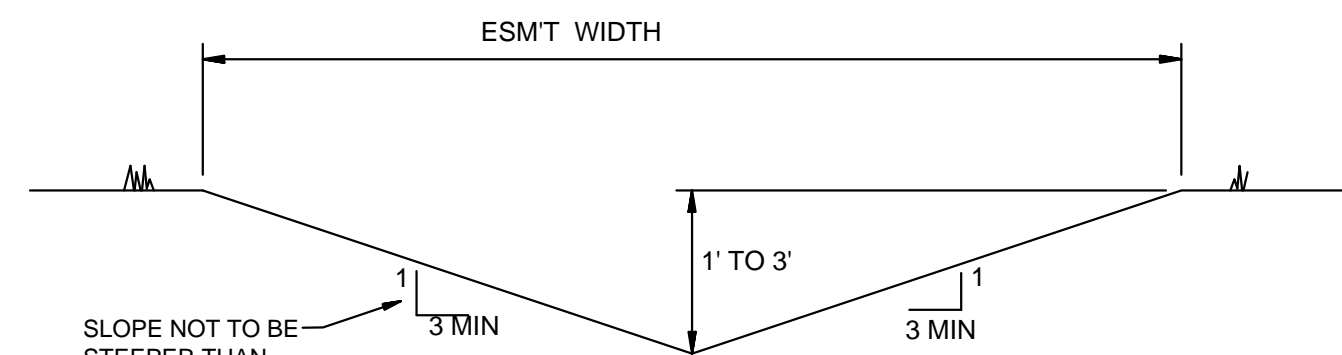
DATE: 6/29/16
REV:
DRAWN BY: BGW

CARLOS WOOD, P.E.
ENGINEERING CONSULTANT
148 CR 375
BONO, AR 72416
PHONE/FAX: (870) 972-8335
EMAIL: WOODENR@SBCGLOBAL.NET
WEBSITE: WWW.WOODENR.COM

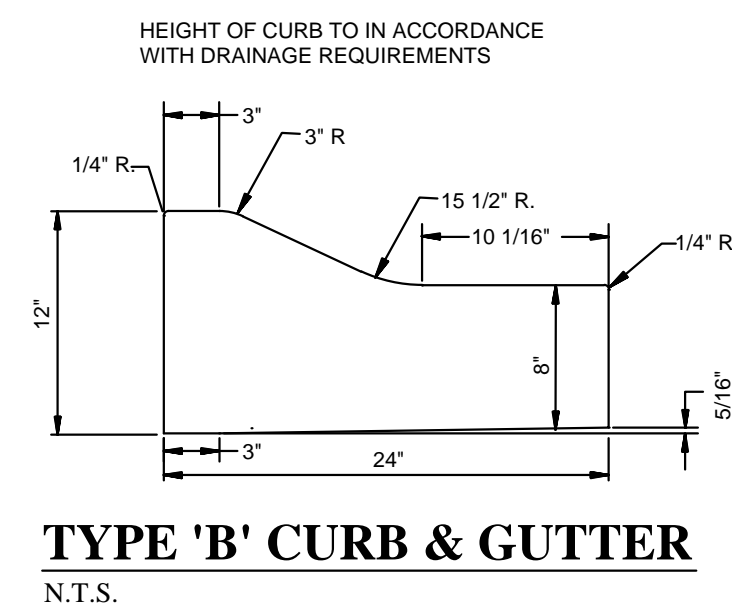




TYPICAL SECTION - INTERIOR STREETS
N.T.S.



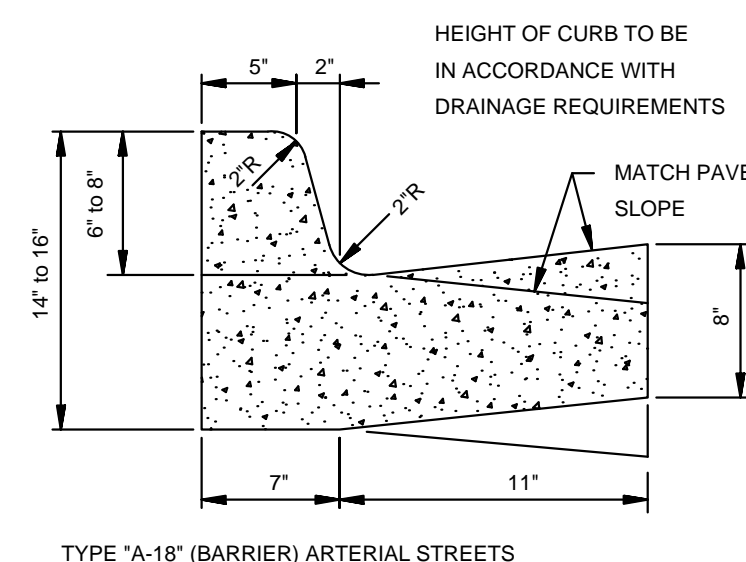
'A' TYPICAL DITCH DETAIL
N.T.S.



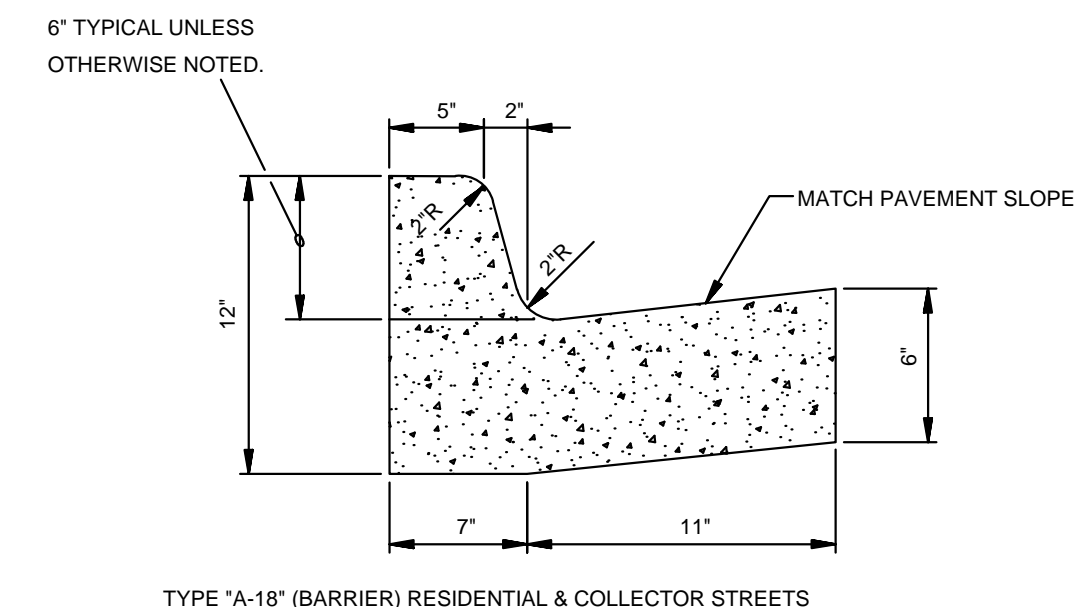
TYPE 'B' CURB & GUTTER
N.T.S.

NOTE: CONTRACTION AND EXPANSION JOINTS SHALL BE CONSTRUCTED IN ACCORDANCE WITH THE CITY OF JONESBORO SPECIFICATIONS

NO DRIVEWAY CUTS ALLOWED WITH THIS TYPE OF CURB



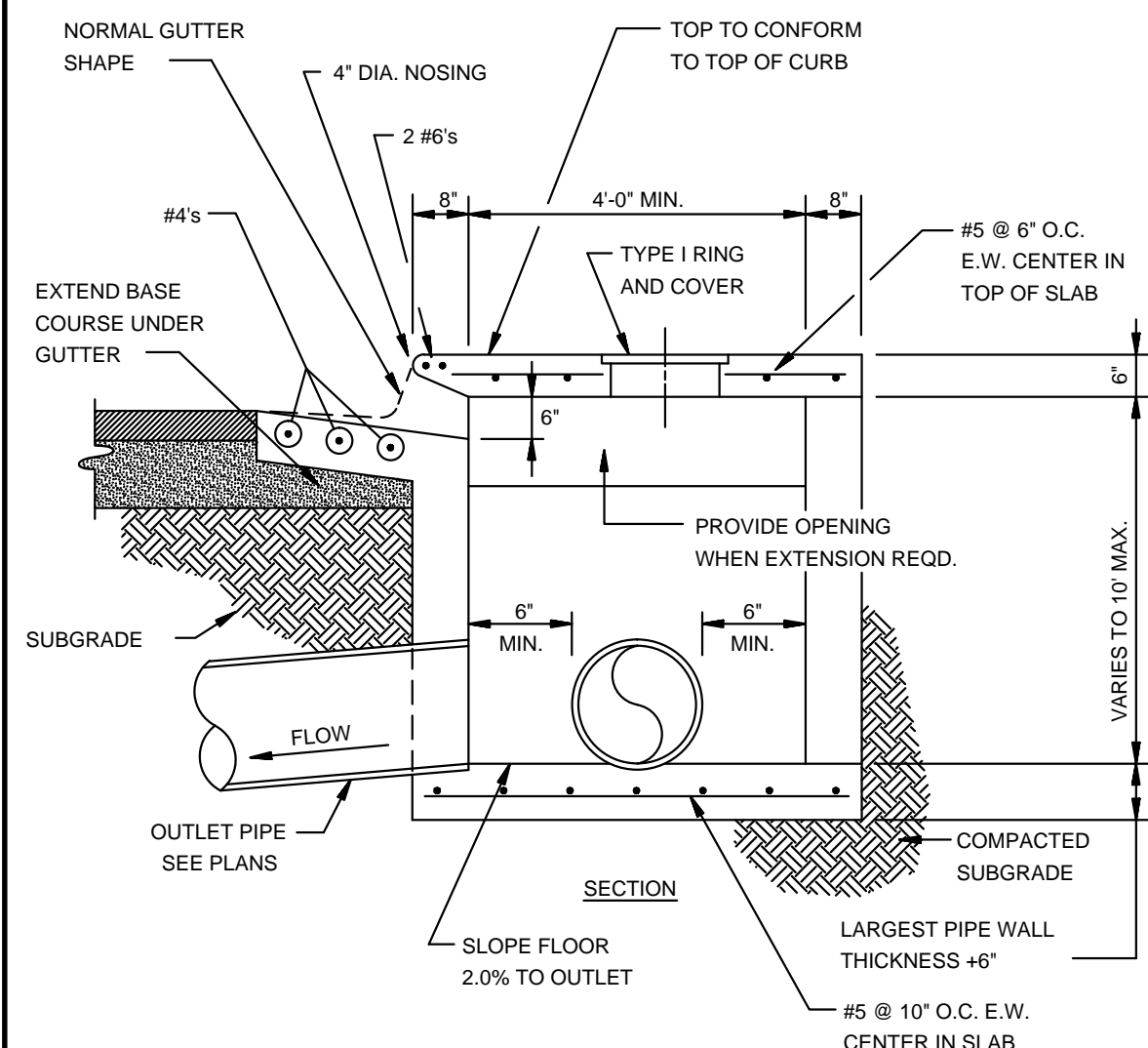
TYPE 'A-18' (BARRIER) ARTERIAL STREETS



TYPE 'A-18' (BARRIER) RESIDENTIAL & COLLECTOR STREETS

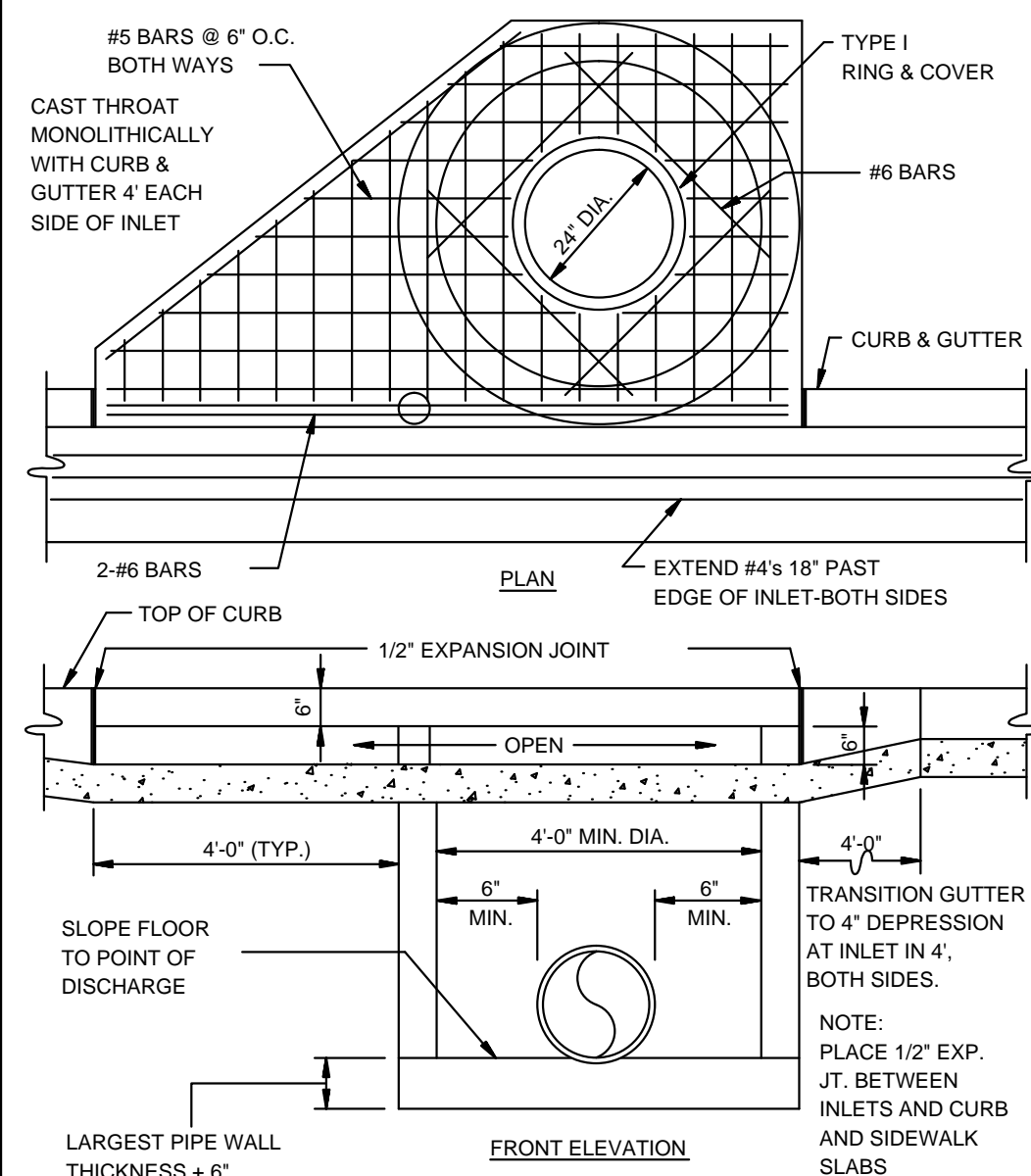
COMBINATION CURB & GUTTER
N.T.S.

NOTE: CONTRACTION AND EXPANSION JOINTS SHALL BE CONSTRUCTED IN ACCORDANCE WITH THE PLANS AND SPECIFICATIONS.

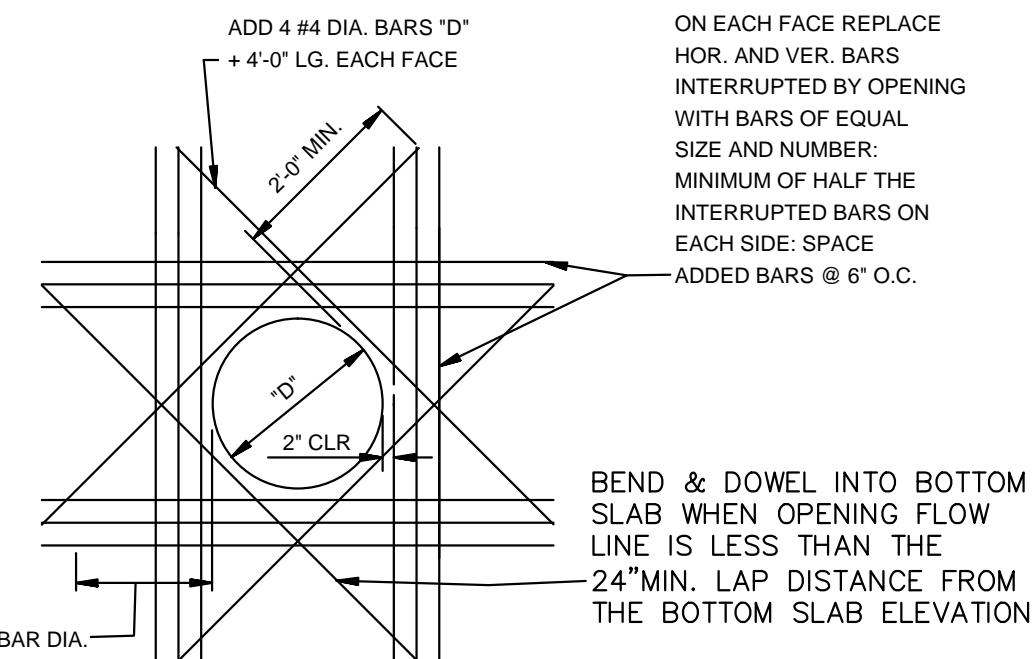


SECTION - CIRCULAR CURB INLET
N.T.S.

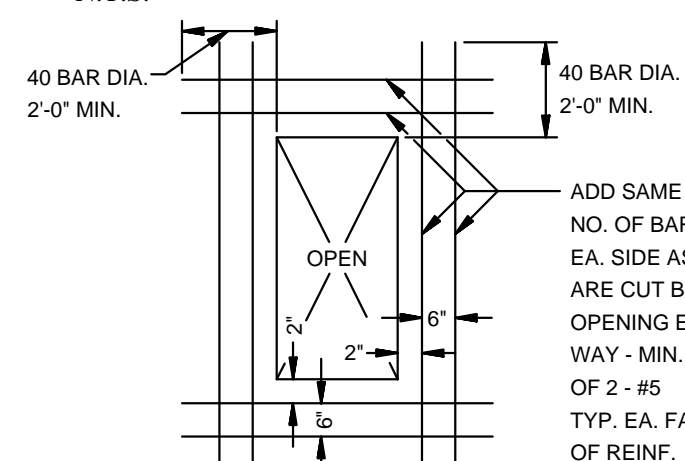
NOTE: INLETS MORE THAN 3'-0" DEEP SHALL HAVE STANDARD MANHOLE STEPS PLACED AT 15" O.C. - MANHOLE FRAME AND COVER SHALL BE PLACED ADJACENT TO THE WALL WITH THE STEPS.



CIRCULAR CURB INLET
W/ INLET EXTENSION
N.T.S.



ADDED REINFORCEMENT AT
ROUND OPENING IN WALL OR SLAB
N.T.S.



ADDED REINFORCEMENT AT
RECTANGULAR OPENING
IN WALL OR SLAB
N.T.S.

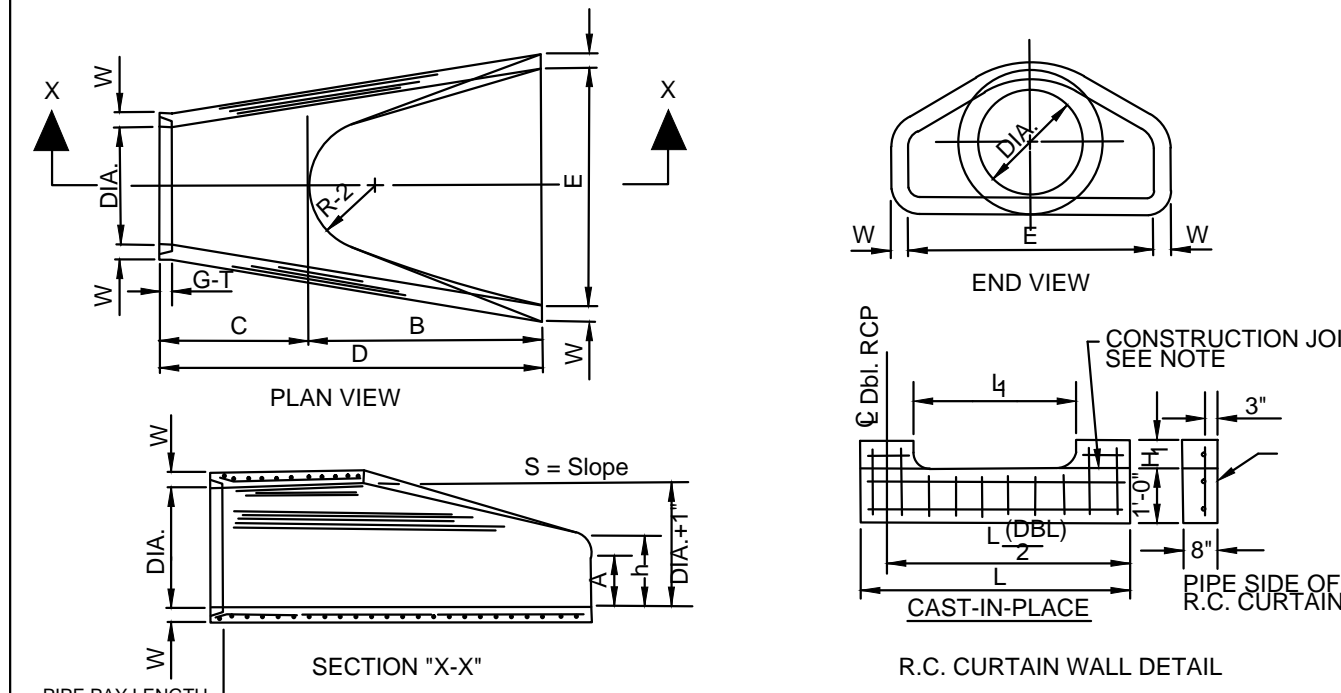
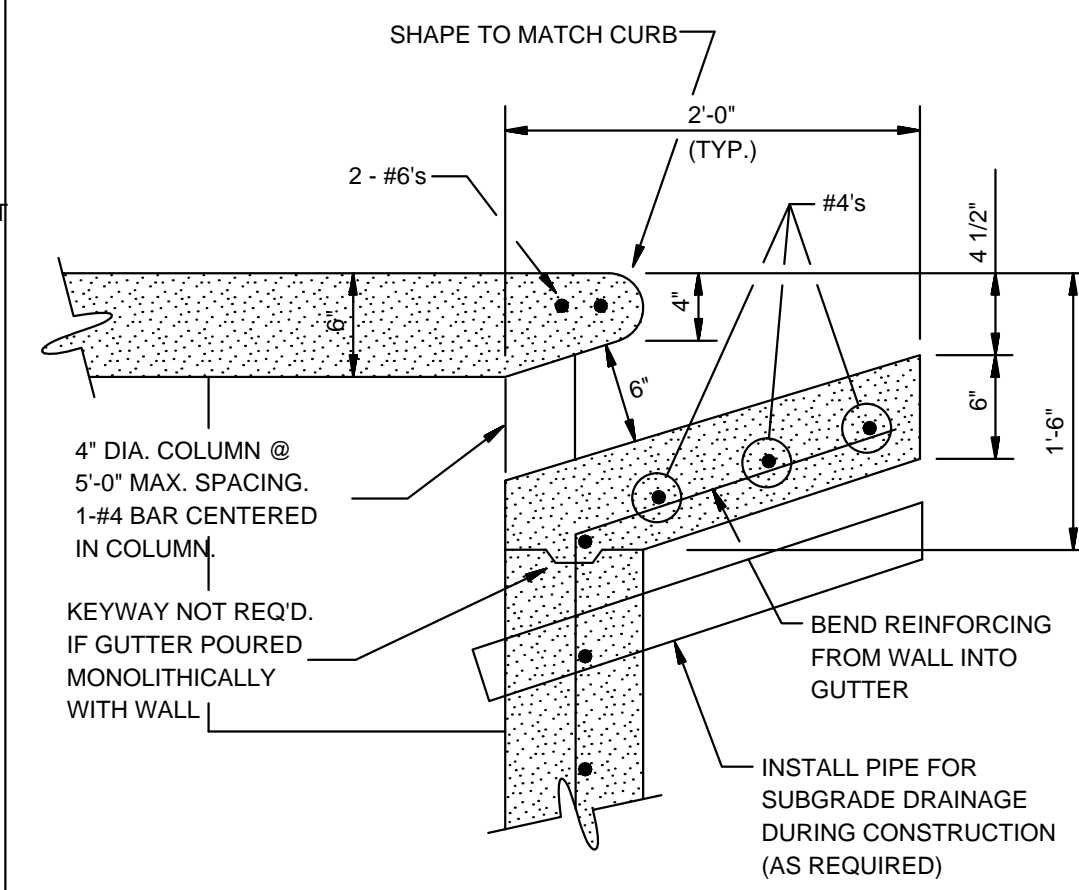


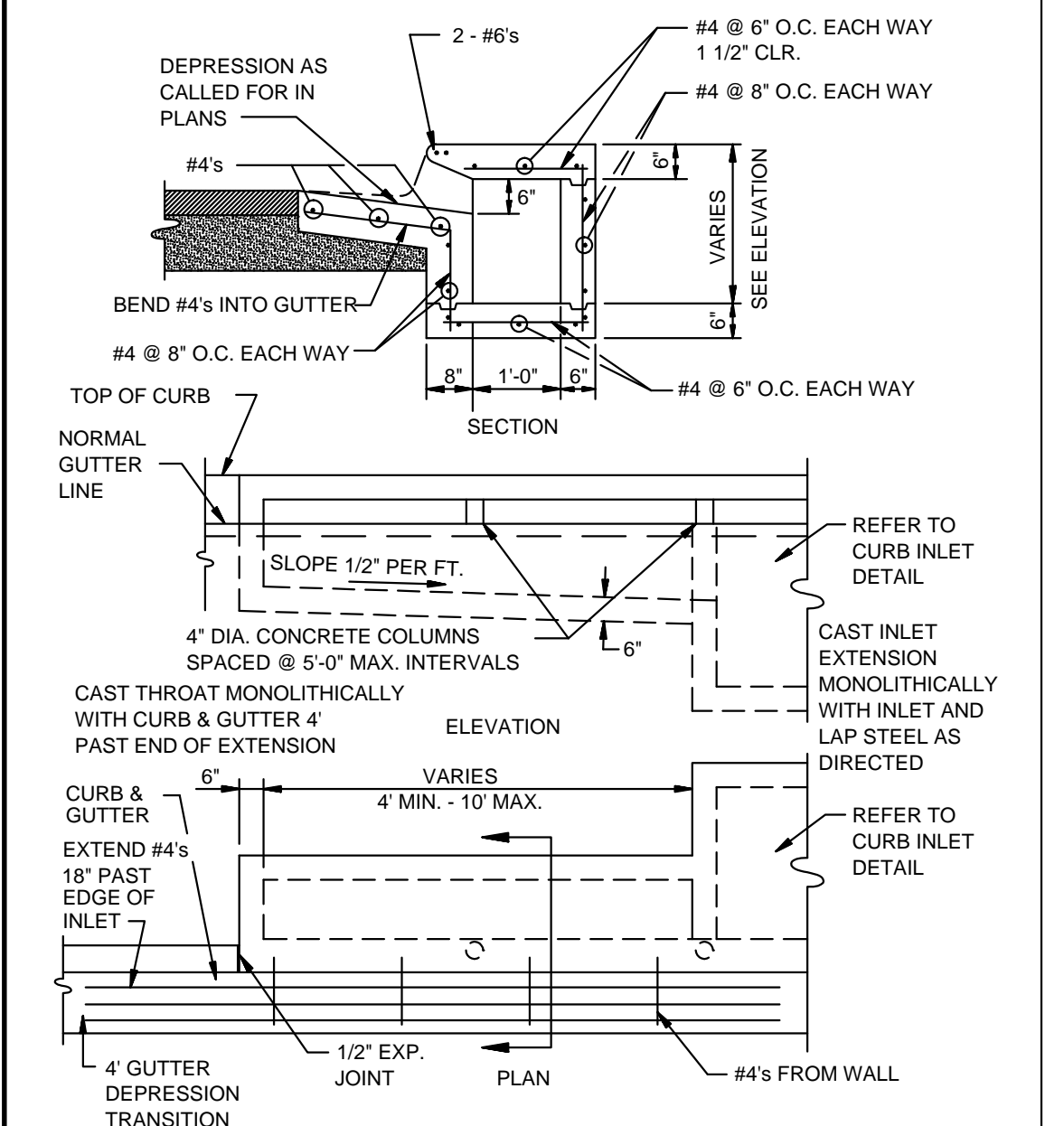
TABLE OF DIMENSIONS table with columns for DIA. WALL, A, B, C, D, E, S, DIA. RCP, R-1, R-2, G-1, W, h and rows for various pipe diameters.

- NOTES: 1. The portion of the R.C. Curtain Wall beneath the Flared End Section (Lower 1'-0") shall be placed monolithically. The Flared End Section shall then be set in place and the remaining portions of the R.C. Curtain Wall placed. 2. All reinforcing steel are #4 Bars at 6" O.C. 3. No separate payment will be made for the Curtain Walls. They shall be considered subsidiary to the Flared End Sections. 4. Tongue End On Upstream Section. Groove End On Downstream Section.

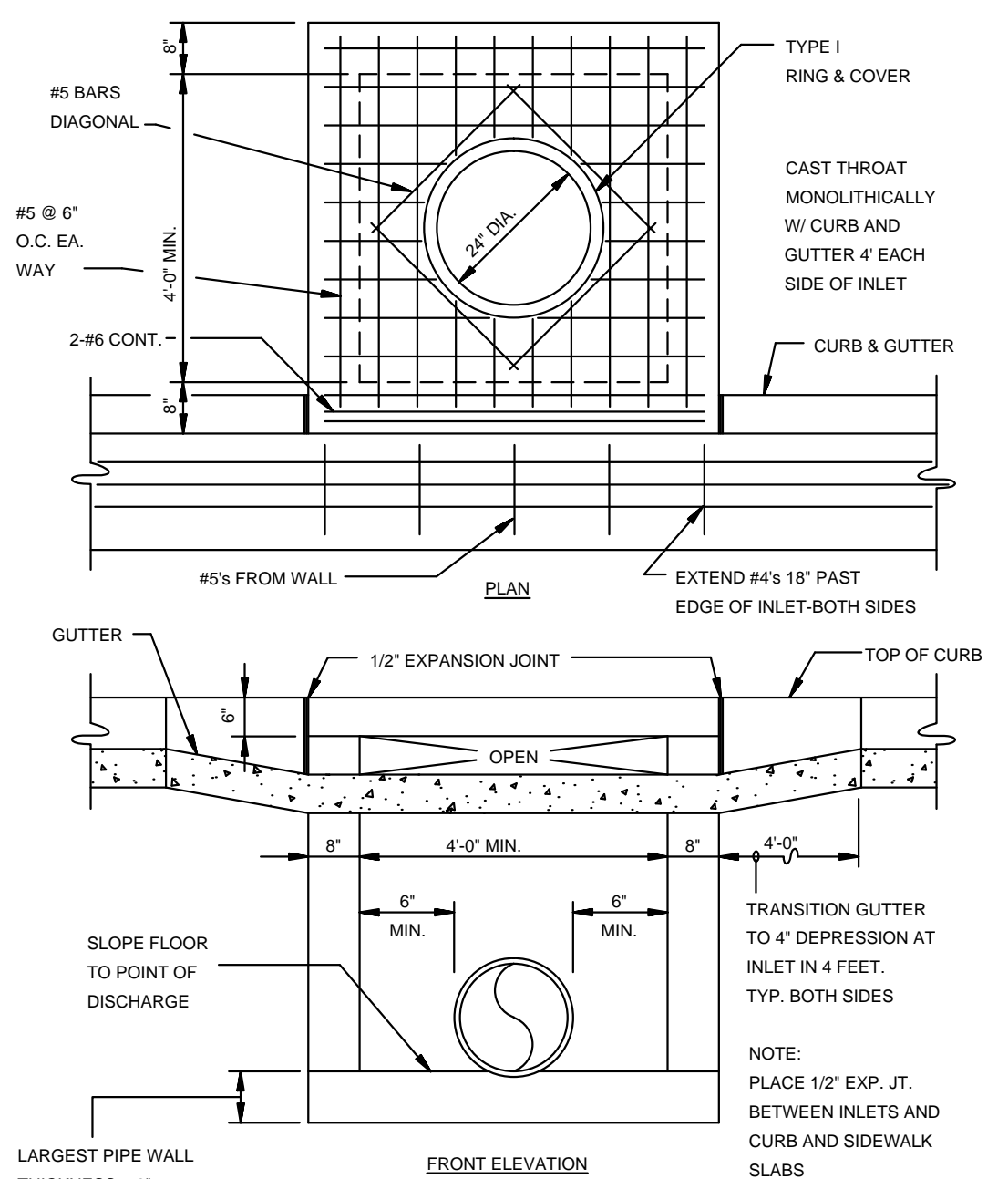
FLARED END SECTION DETAIL FOR
REINFORCED CONCRETE PIPE CULVERT
N.T.S.



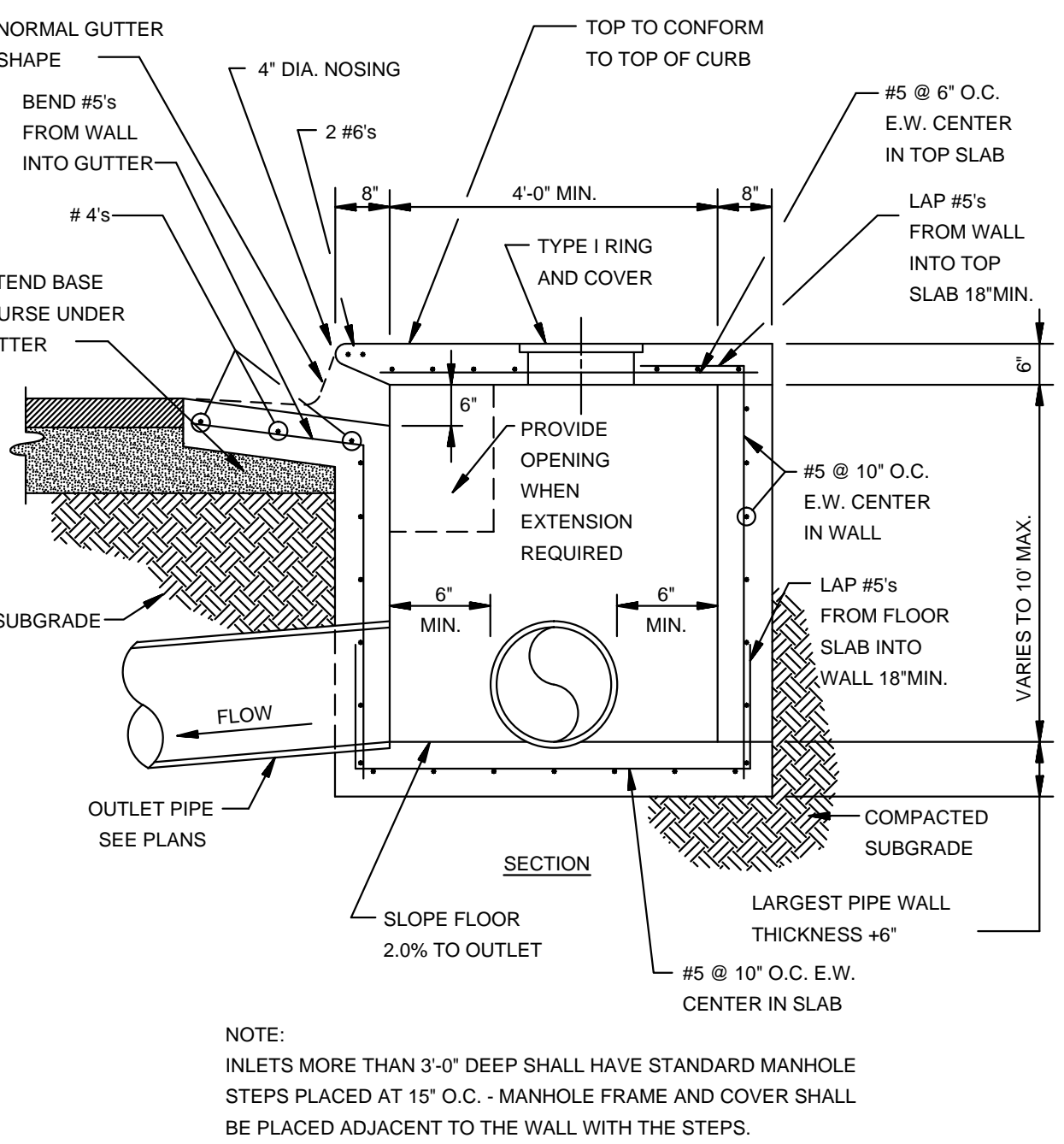
CURB OPENING
N.T.S.



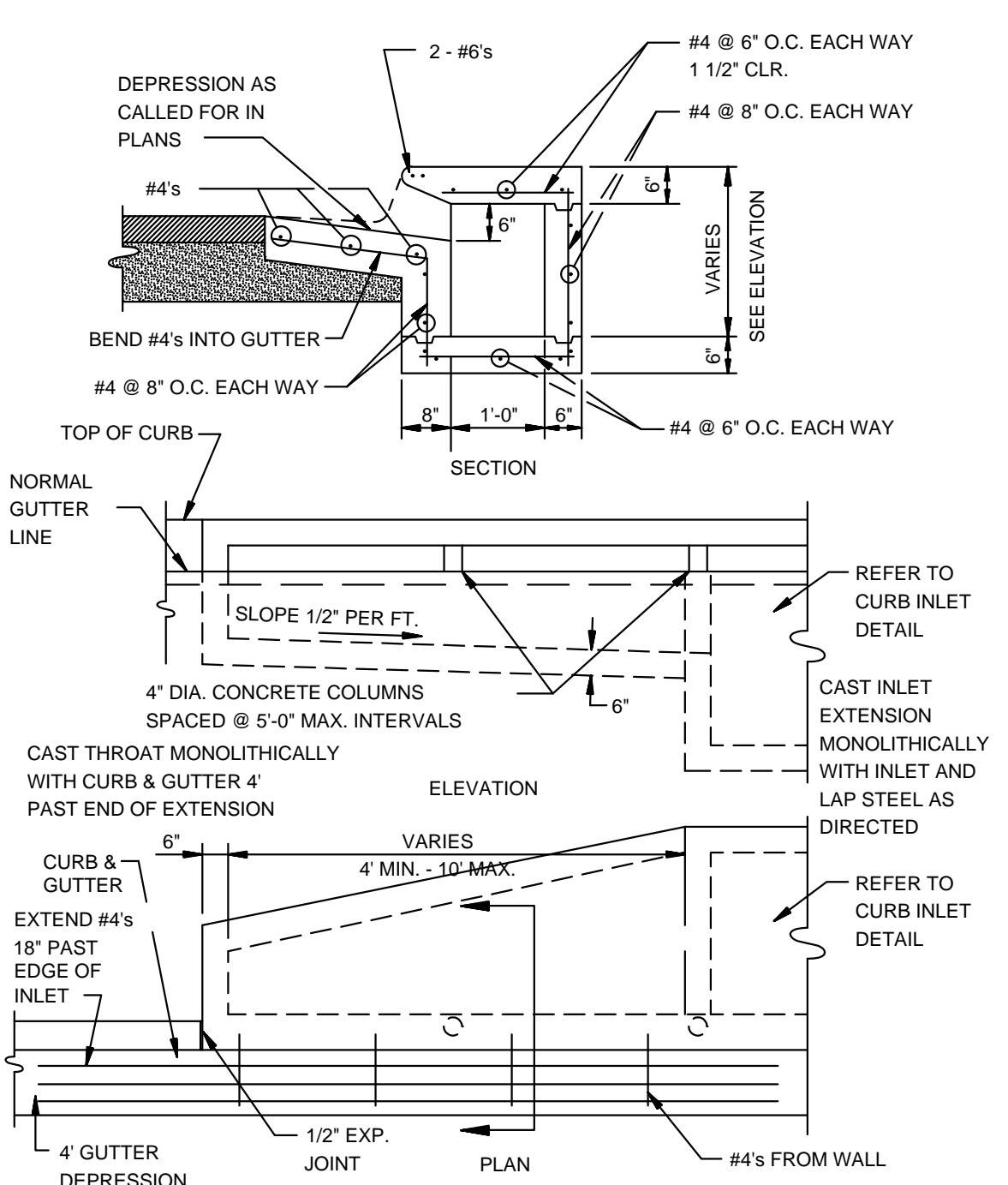
RECTANGULAR CURB INLET EXTENSION
N.T.S.



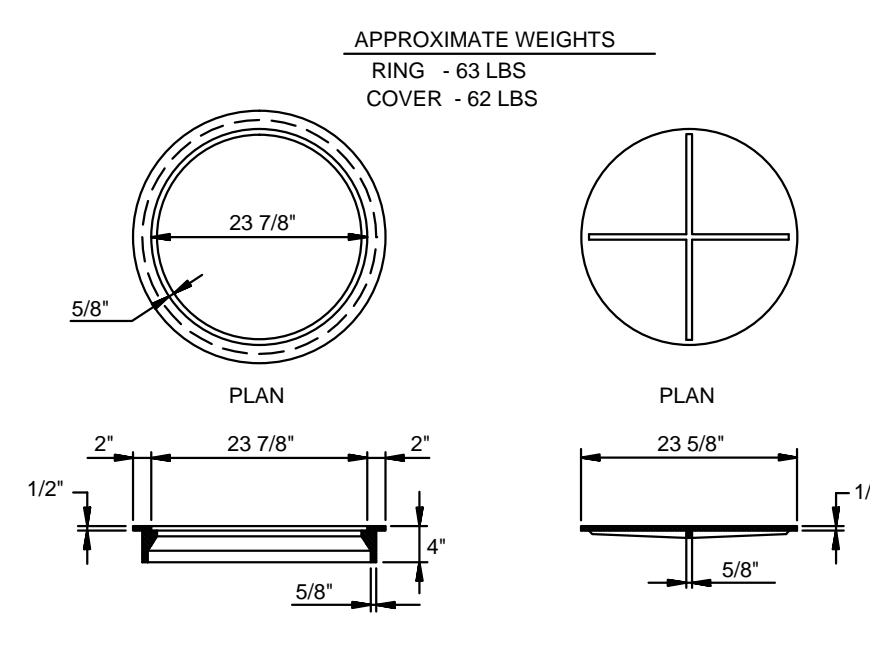
RECTANGULAR CURB INLET
N.T.S.



SECTION - TYPICAL CURB INLET - TYPE 'A'
N.T.S.

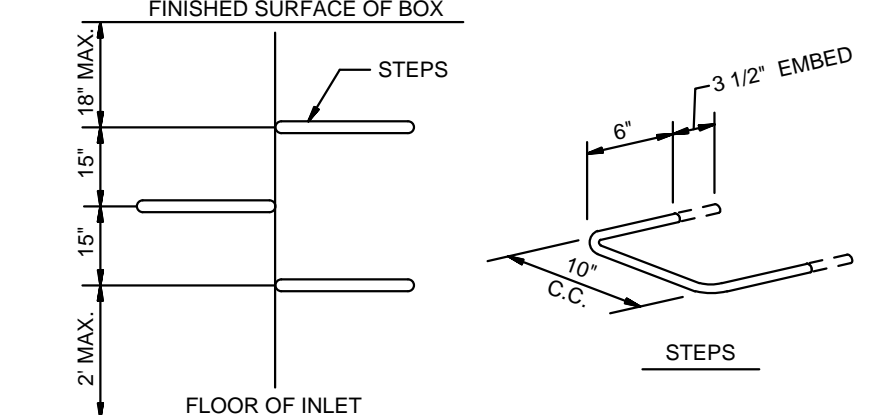


ALTERNATE CURB INLET EXTENSION
N.T.S.



TYPE I RING & COVER
N.T.S.

NOTE: TYPE I FRAME AND COVER PERMITTED ONLY ON STRUCTURES NOT SUBJECT TO VEHICULAR TRAFFIC.



MANHOLE /INLET STEPS
N.T.S.

- STEPS SPECIFICATIONS: A. MANHOLE STEPS: CORROSION RESISTANT, COATED AND REINFORCED WITH STEEL PER ASTM C-478. STEEL REINFORCING MINIMUM 1/2" DIAMETER. B. CAPABLE OF SUPPORTING MINIMUM 500 LB. LOAD. C. NON-SLIP TEXTURED TRENDS. D. REQUIRED IN ALL STRUCTURES 3'-0" DEEP OR DEEPER, UNLESS SPECIFIED OTHERWISE.

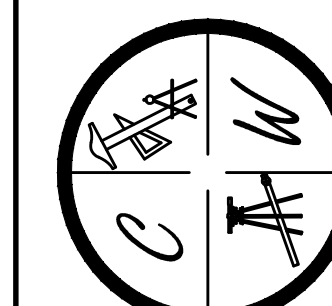
JUDE'S CROSSING PHASE V
TYPICAL STREET DETAILS
JONESBORO, AR

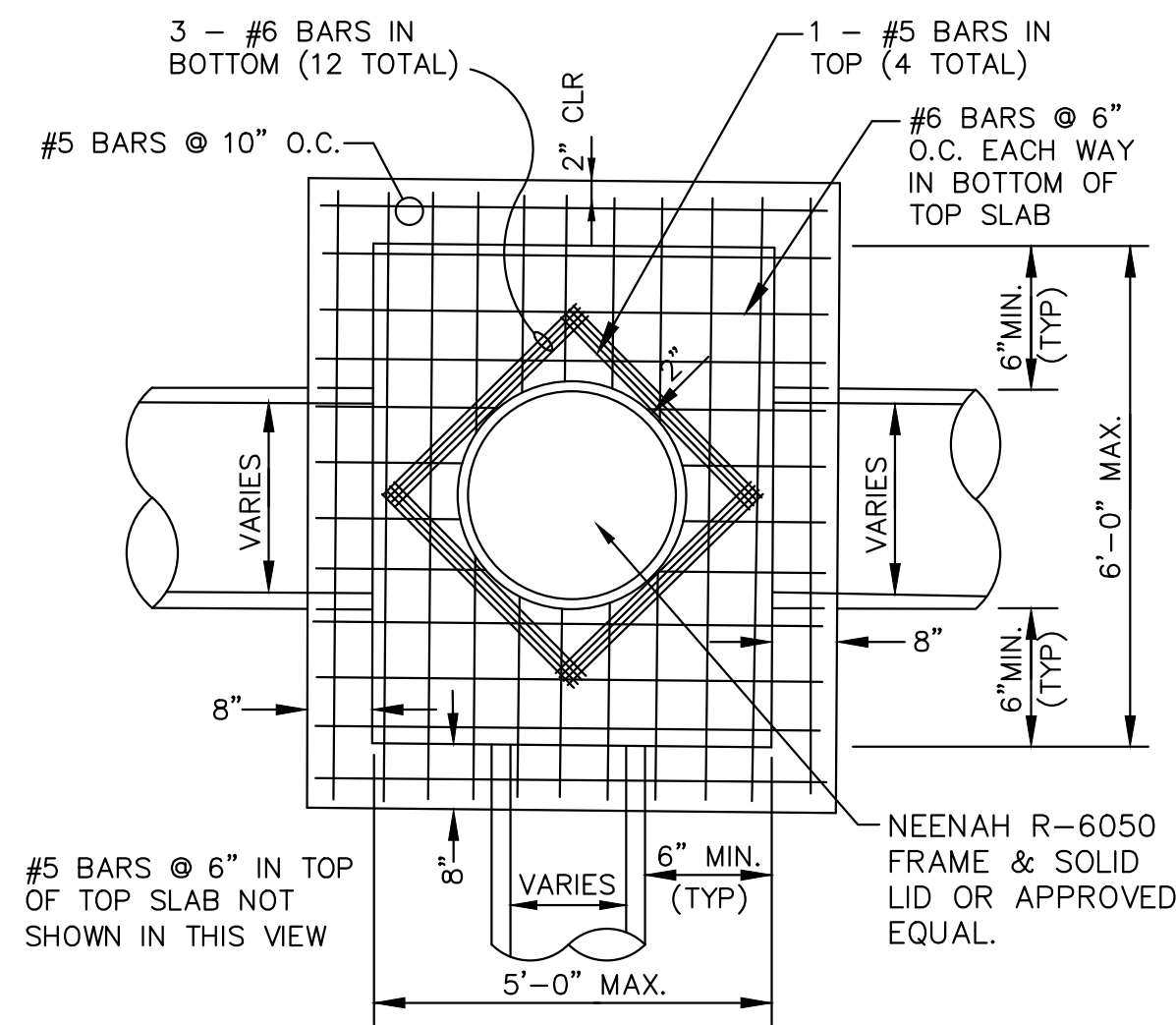
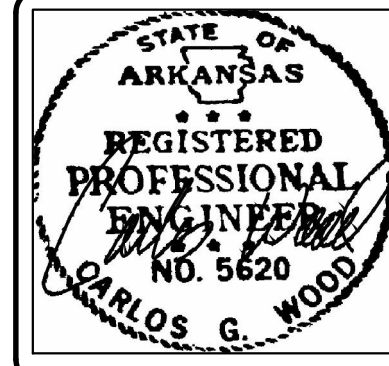
DATE: 6/29/16

REV:

DRAWN BY: BGW

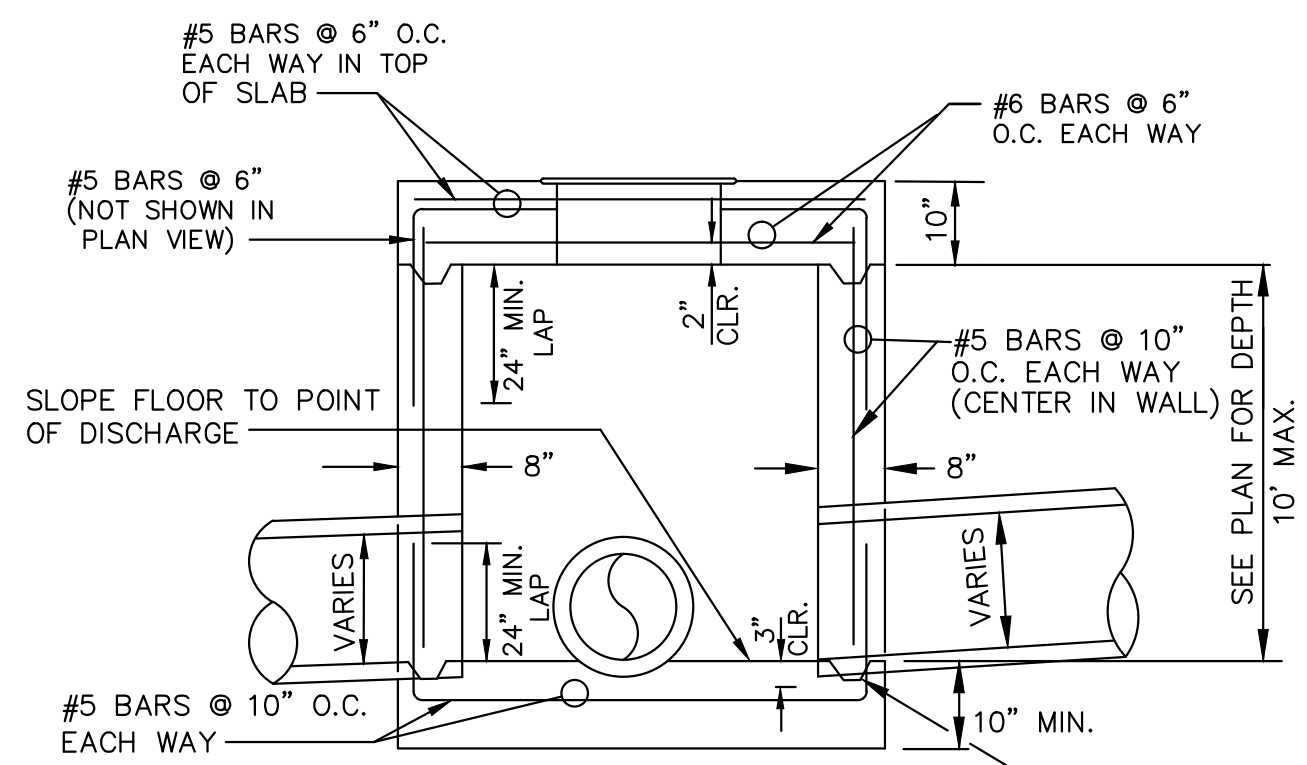
CARLOS WOOD, P.E.
ENGINEERING CONSULTANT
148 CR 375
BONO, AR 72416
PHONE/FAX: (870) 972-8335
EMAIL: WOODENGR@SBCGLOBAL.NET
WEBSITE: WWW.WOODENGR.COM





PLAN - JUNCTION BOX - HEAVY

SCALE: NONE

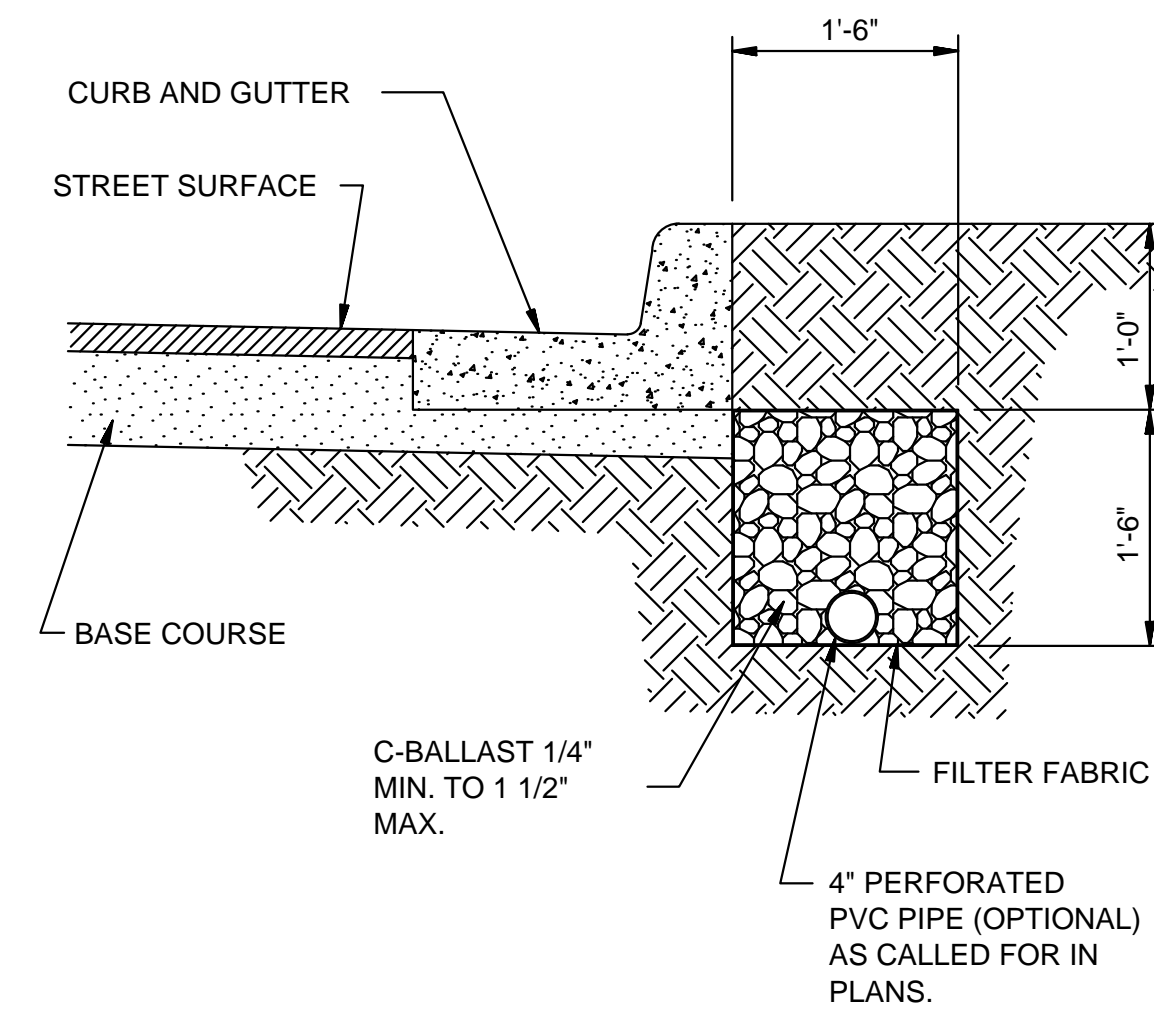


SECTION - JUNCTION BOX - HEAVY

N.T.S.

NOTES:

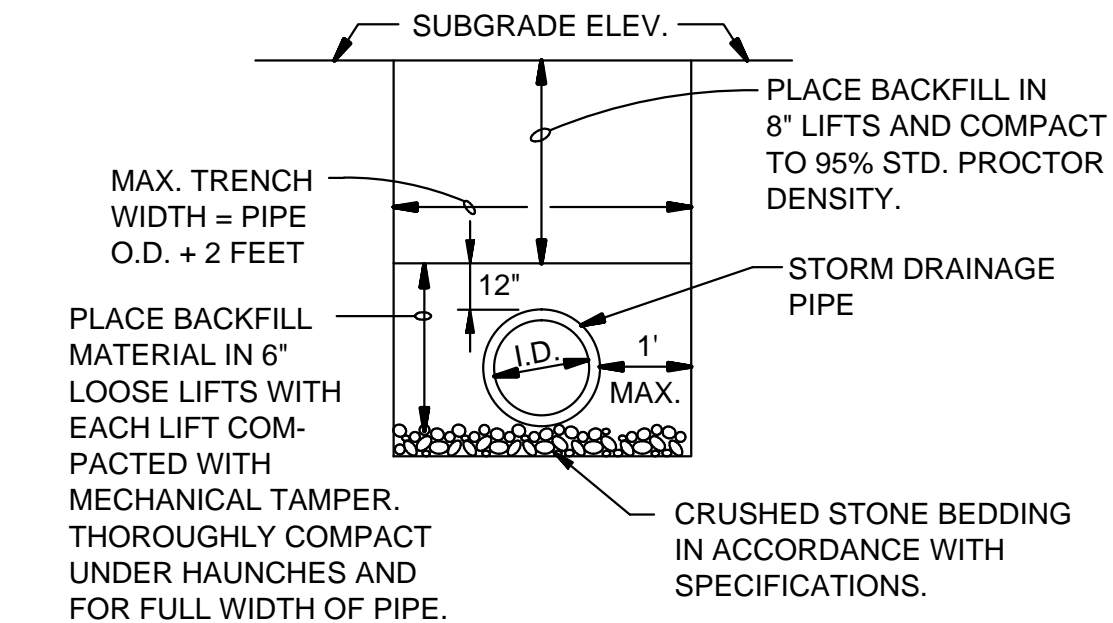
1. SHOULD BE USED TO ACCOMMODATE VEHICULAR TRAFFIC.
2. JUNCTION BOXES MORE THAN 3 FEET DEEP SHALL HAVE STANDARD MANHOLE STEPS PLACED @ 15" O.C.
3. SEE REINFORCING DETAIL FOR OPENING IN WALL OR SLAB.



SUB-DRAIN DETAIL

N.T.S.

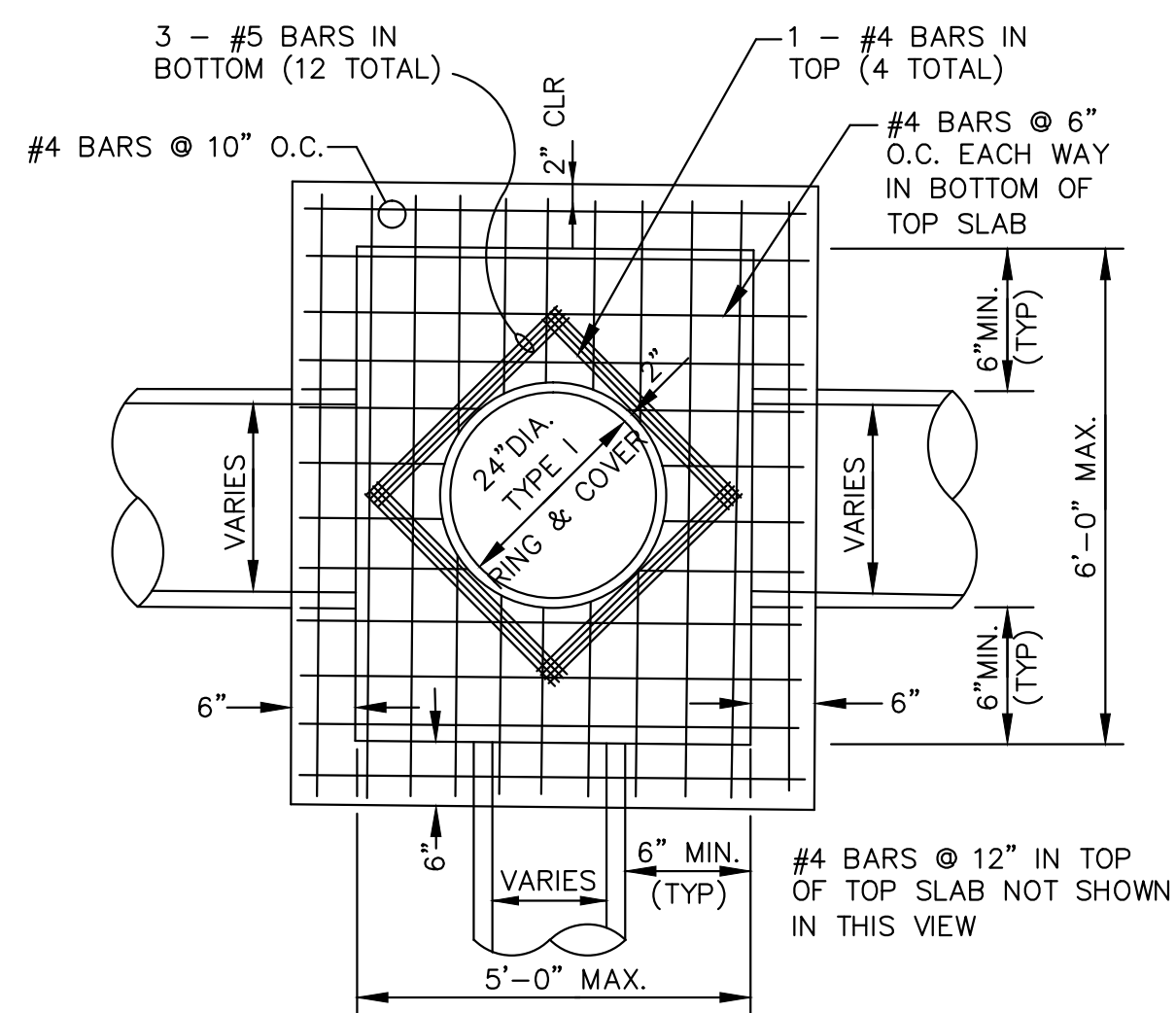
- NOTE:
FINAL LOCATION OF SUB-DRAIN MAY BE DETERMINED BY THE ENGINEER DURING THE CONSTRUCTION PERIOD.



DRAINAGE PIPE TRENCH DETAIL

N.T.S.

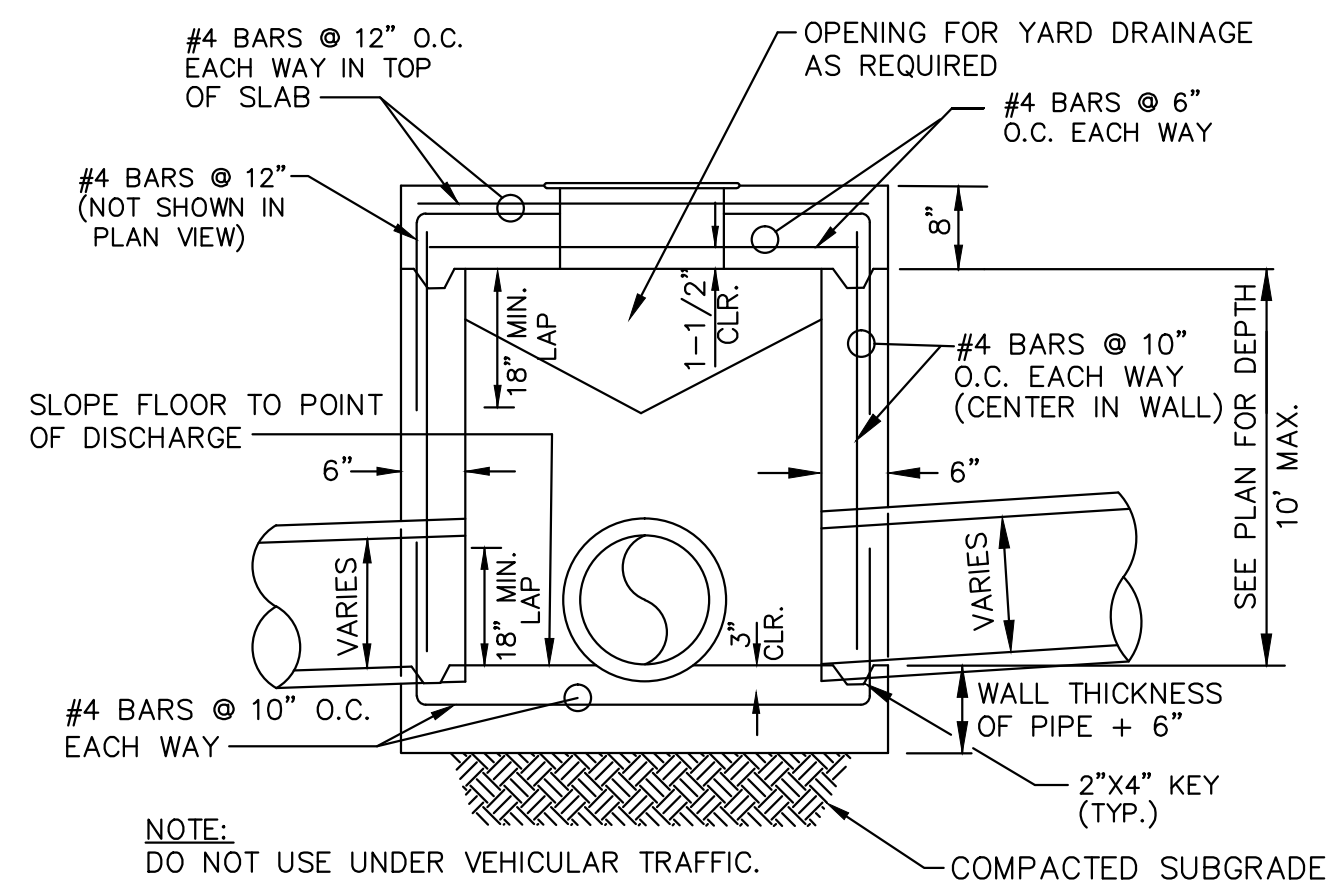
- NOTE: TO BE USED WITH NEW STREET CONSTRUCTION. SEE DRAWING NO. PT-1 FOR EXISTING STREET CUTS.



PLAN - JUNCTION BOX - LIGHT

SCALE: NONE

- NOTE:
DO NOT USE UNDER VEHICULAR TRAFFIC.

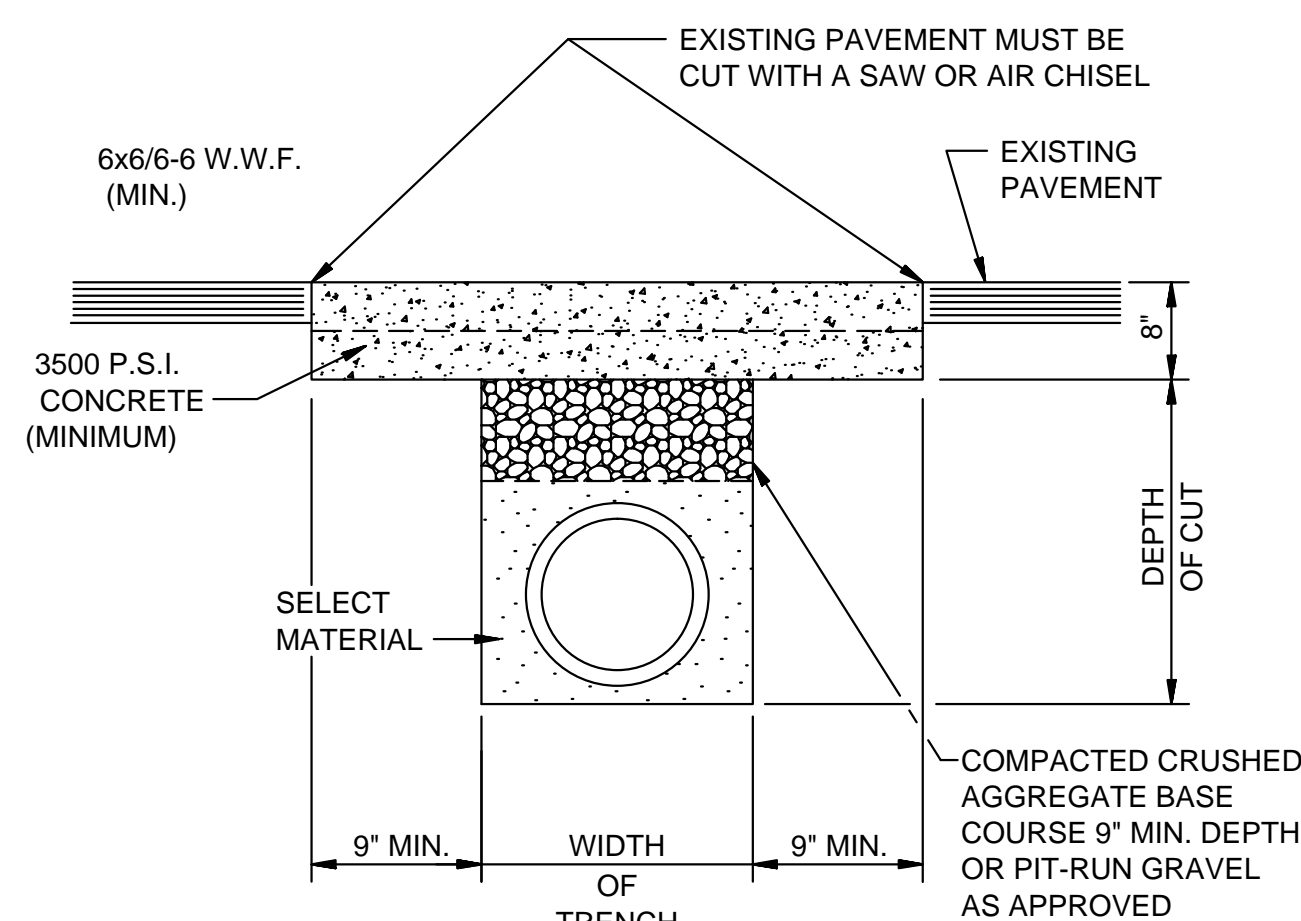


SECTION - JUNCTION BOX - LIGHT

N.T.S.

NOTES:

1. AS APPROVED BY THE ENGINEER, WALLS MAY BE 8" BLOCK WITH 1/2" MORTAR. FILL CELLS WITH CONCRETE AND WITH #4'S @ 16" O.C. BLOCK WALLS SHALL NOT BE USED UNDER VEHICULAR LOADING. MINIMUM DISTANCE FROM WALL TO PIPE SHALL BE 8" IF BLOCK WALLS ARE USED.
2. JUNCTION BOXES MORE THAN 3 FEET DEEP SHALL HAVE STANDARD MANHOLE STEPS PLACED @ 15" O.C.
3. SEE REINFORCING DETAIL FOR OPENING IN WALL OR SLAB.



PAVEMENT TRENCH REPAIR DETAIL

N.T.S.

- NOTE:
THE CONTRACTOR SHALL CALL PUBLIC WORKS DEPARTMENT FOR INSPECTION PRIOR TO PLACING CRUSHED AGGREGATE BASE COURSE AND PRIOR TO PLACING CONCRETE.

JUDE'S CROSSING PHASE V
 TYPICAL STREET DETAILS
 JONESBORO, AR

DATE: 6/29/16

REV:

DRAWN BY: BGW

CARLOS WOOD, P.E.
 ENGINEERING CONSULTANT
 148 CR 375
 BONO, AR 72416
 PHONE/FAX: (870) 972-8335
 EMAIL: WOODENGR@SBCGLOBAL.NET
 WEBSITE: WWW.WOODENGR.COM

