



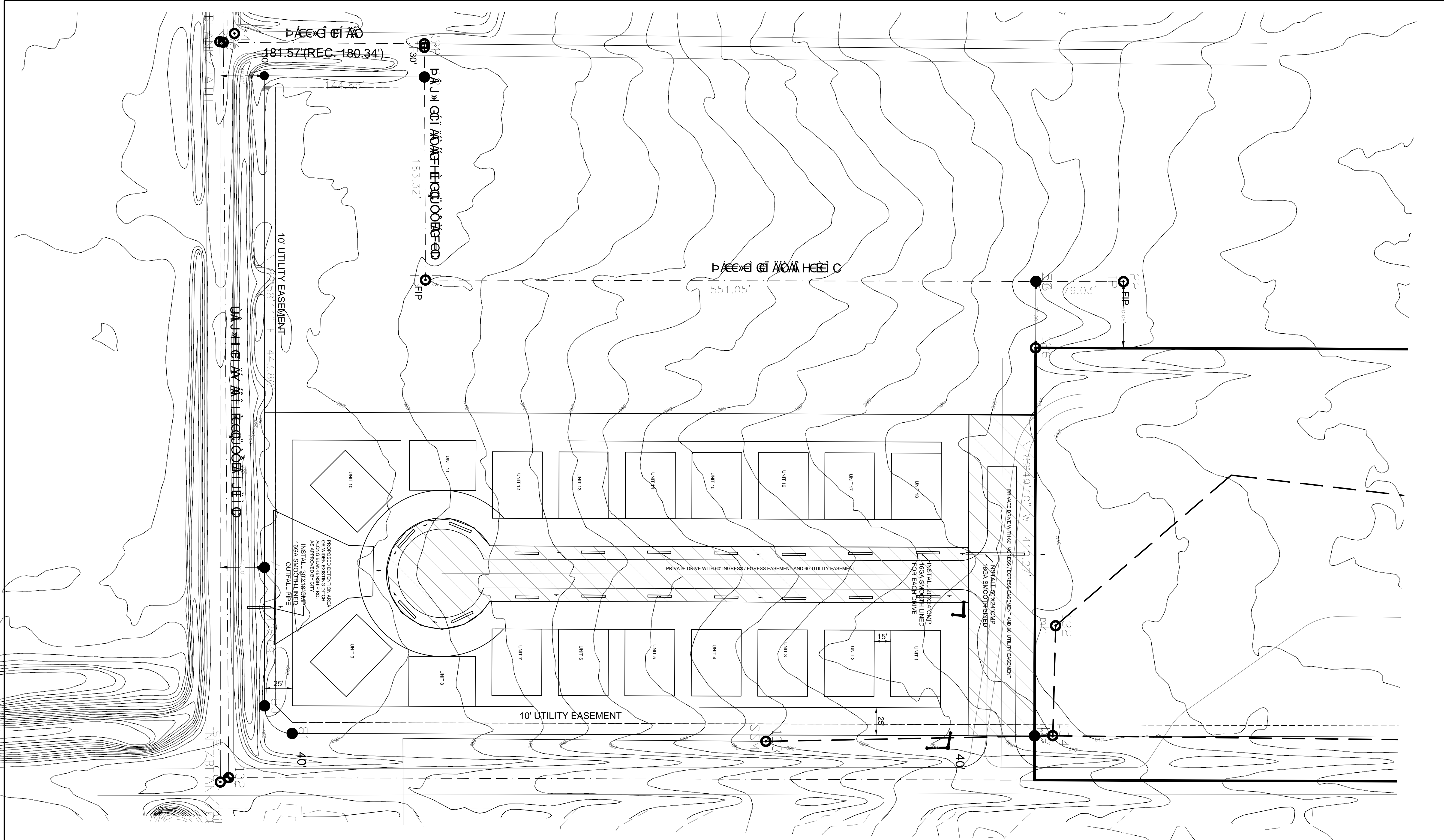
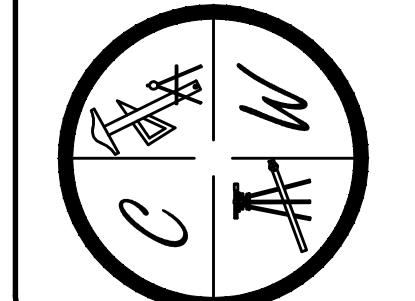
# OAK RIDGE PUD

JONESBORO, AR

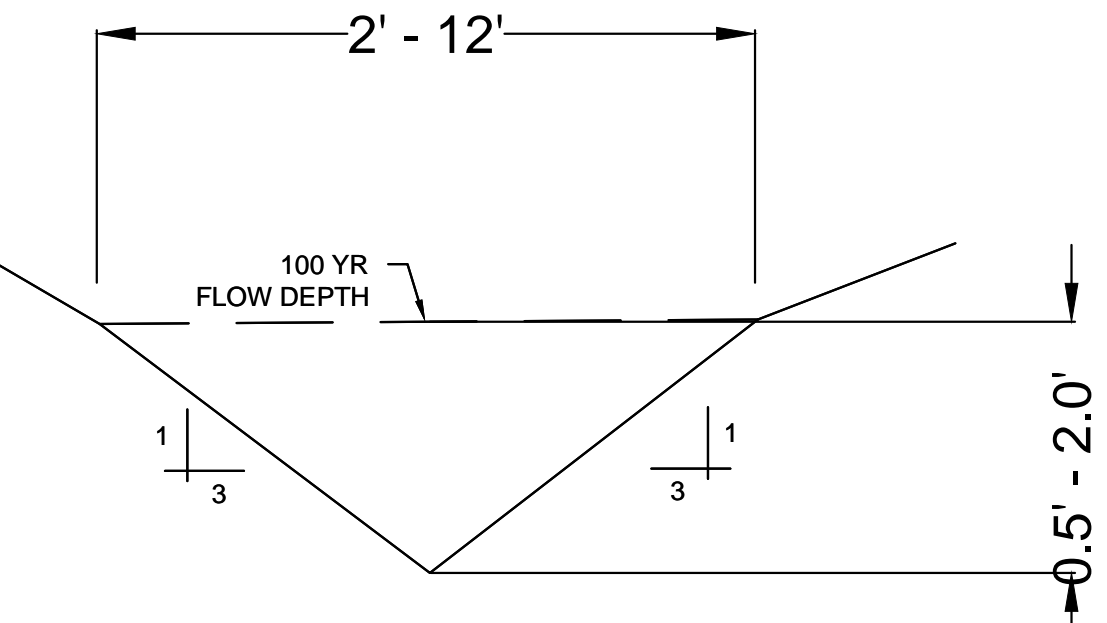
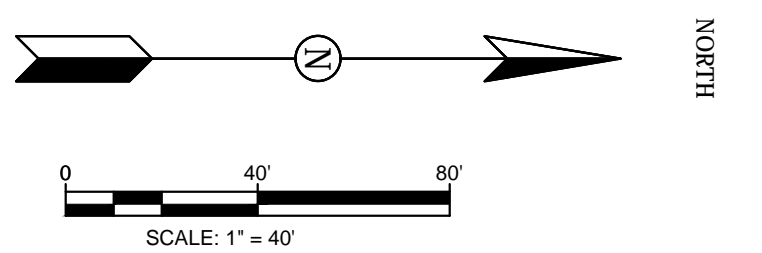
TOPOGRAPHY &  
DRAINAGE PLAN

DATE: 7-14-16  
REV:  
DRAWN BY: BGW

CARLOS WOOD, P.E.  
ENGINEERING CONSULTANT  
148 CR 375  
BONO, AR 72416  
PHONE: (870) 972-8335  
EMAIL: WOODENGR@SBCGLOBAL.NET  
WEBSITE: WWW.WOODENGR.COM



**PIPE NOTE:**  
ALL CMP PIPE SHALL BE ALUMINIZED STEEL TYPE 2  
ASTM A-929, ASTM A-760  
ALL RCP PIPE SHALL BE RCP CLASS III OR CLASS IV  
ASTM C-76, ASTM C-506, ASTM C-507



**LEGEND**

	CURB
	EXISTING CONTOUR
	PROPOSED CONTOUR
	STORM DRAIN INLET
	STORM DRAIN PIPE
	BENCHMARK

**NOTE:**  
DEVELOPER SHALL OBTAIN GRADING PERMIT FROM THE CITY OF JONESBORO ENGINEERING DEPARTMENT PRIOR TO COMMENCING EARTHWORK AND/OR CLEARING OPERATIONS.  
DEVELOPER SHALL OBTAIN REQUIRED ADEQ PERMIT PRIOR TO COMMENCING WORK ON THE SITE, PREPARE A SWPP PLAN, AND DISPLAY THEM FOR PUBLIC ACCESS AT THE SITE.

**SURVEY CONTROL REFERENCE MARKS:**  
JONESBORO MONUMENT # 89  
JONESBORO MONUMENT # 43  
VERTICAL CONTROL IS NAVD 88  
HORIZONTAL CONTROL IS NAD 83